



POWER
TOOLS

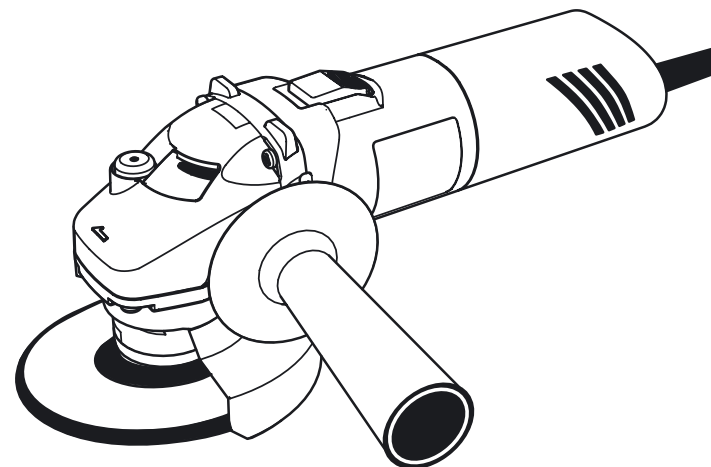
SPARKY

www.sparkygroup.com



PROFESSIONAL

EN	ANGLE GRINDER	1 – 9
	Original instructions	
DE	WINKELSCHLEIFER	10 – 19
	Originalbetriebsanleitung	
FR	MEULEUSE ANGULAIRE	20 – 29
	Notice originale	
IT	SMERIGLIATRICE ANGOLARE	30 – 38
	Istruzioni originali	
ES	ESMERILADORA ANGULAR	39 – 47
	Instrucciones de uso originales	
PT	REBARBADORA ANGULAR	48 – 56
	Instrução original para o uso	
PL	SZLIFIERKA KĄTOWA	57 – 65
	Instrukcja oryginalną	
RU	УГЛОШЛИФОВАЛЬНАЯ МАШИНА	66 – 75
	Оригинальная инструкция по эксплуатации	
UK	КУТОШЛІФУВАЛЬНА МАШИНА	76 – 85
	Оригінальна інструкція з експлуатації	
BG	ЪГЛОШЛИФОВЪЧНА МАШИНА	86 – 95
	Оригинална инструкция за използване	



600W • 650W

M 600 • M 650

720W

M 720

EN DECLARATION OF CONFORMITY

We declare under our sole responsibility that this product fulfils all the relevant provisions of the following directives and the harmonized standards: 2006/42/EC, 2004/108/EC, EN 60745-1, EN 60745-2-3, EN 55014-1, EN 55014-2, EN 61000-3-2, EN 61000-3-3. Technical file is stored at SPARKY ELTOS AG, Koubrat Str. 9, 5500 Lovetch, Bulgaria.

DE KONFORMITÄTSEKTLÄRUNG

Hiermit versichern wir unsere persönliche Haftung, dass dieses Erzeugnis allen einschlägigen Bestimmungen folgender Richtlinien und entsprechender harmonisierter Standards entspricht: 2006/42/EC, 2004/108/EC, EN 60745-1, EN 60745-2-3, EN 55014-1, EN 55014-2, EN 61000-3-2, EN 61000-3-3.

Die technischen Unterlagen werden bei SPARKY ELTOS AG, Kubrat Str.9, 5500 Lovetch, Bulgarien, aufbewahrt.

FR DECLARATION DE CONFORMITE

Nous déclarons sous notre responsabilité que ce produit satisfait à l'ensemble des dispositions pertinentes de la présente directives, respectivement aux normes harmonisées: 2006/42/EC, 2004/108/EC, EN 60745-1, EN 60745-2-3, EN 55014-1, EN 55014-2, EN 61000-3-2, EN 61000-3-3.

Le dossier technique est conservé par SPARKY ELTOS AD, 9, rue Kubrat, Lovech, Bulgarie.

IT DICHIARAZIONE DI CONFORMITÀ

Noi dichiariamo sotto la nostra personale responsabilità, che questo prodotto è in conformità a tutte le disposizioni pertinenti della presente direttive e norme armonizzate: 2006/42/EC, 2004/108/EC, EN 60745-1, EN 60745-2-3, EN 55014-1, EN 55014-2, EN 61000-3-2, EN 61000-3-3.

Il fascicolo tecnico viene custodito presso la SPARKY ELTOS, 5500 Lovech, via Kubrat n. 9, Bulgaria

ES DECLARACIÓN DE CONFORMIDAD

Declaramos bajo nuestra exclusiva responsabilidad que este producto está conforme con todas las disposiciones aplicables de la presente directrices aplicables y las correspondientes normas armonizadas: 2006/42/EC, 2004/108/EC, EN 60745-1, EN 60745-2-3, EN 55014-1, EN 55014-2, EN 61000-3-2, EN 61000-3-3.

El expediente técnico está archivado en SPARKY ELTOS SA, C/ Kubrat, 9, 5500 Lovech, Bulgaria.

PT DECLARAÇÃO DE CONFORMIDADE

Declaramos assumindo a nossa responsabilidade pessoal que este produto está conforme com todas as disposições relevantes da presente directrizes aplicáveis e respectivos estándares harmonizados: 2006/42/EC, 2004/108/EC, EN 60745-1, EN 60745-2-3, EN 55014-1, EN 55014-2, EN 61000-3-2, EN 61000-3-3.

O expediente técnico fica guardado na SPARKY ELTOS SA, rua Kubrat, 9, 5500 Lovech, Bulgária

PL DEKLARACJA ZGODNOŚCI

Niniejszym deklarujemy naszą osobistą odpowiedzialnością, że ten produkt spełnia wszystkie odpowiednie postanowienia następujących dyrektyw i harmonizowanych standardów: 2006/42/EC, 2004/108/EC, EN 60745-1, EN 60745-2-3, EN 55014-1, EN 55014-2, EN 61000-3-2, EN 61000-3-3.

Teczka techniczna przechowywana jest w SPARKY ELTOS AG, Kubrat Str.9, 5500 Lovetch, Bulgaria

RU ДЕКЛАРАЦИЯ О СООТВЕТСТВИИ

Мы заявляем со всей ответственностью, что данный продукт полностью соответствует всем соответствующим требованиям действующих директив и гармонизированных стандартов: 2006/42/EC, 2004/108/EC, EN 60745-1, EN 60745-2-3, EN 55014-1, EN 55014-2, EN 61000-3-2, EN 61000-3-3.

Техническое досье хранится в СПАРКИ ЕЛТОС АД, ул. Кубрат №9, 5500 Ловеч, Болгария.

UK ДЕКЛАРАЦІЯ ПРО ВІДПОВІДНІСТЬ

Ми заявляємо під свою власну відповідальність, що даний продукт відповідає всім діючим вимогам директив і гармонізованих стандартів: 2006/42/EC, 2004/108/EC, EN 60745-1, EN 60745-2-3, EN 55014-1, EN 55014-2, EN 61000-3-2, EN 61000-3-3.

Технічне досьє зберігається в СПАРКИ ЕЛТОС АД, ул. Кубрат № 9, 5500 Ловеч, Болгарія.

BG ДЕКЛАРАЦИЯ ЗА СЪОТВЕТСТВИЕ

Ние декларираме на своя лична отговорност, че това изделие отговаря на всички приложими изисквания на следните директиви и хармонизирани стандарти: 2006/42/EC, 2004/108/EC, EN 60745-1, EN 60745-2-3, EN 55014-1, EN 55014-2, EN 61000-3-2, EN 61000-3-3.

Техническото досие се съхранява в СПАРКИ ЕЛТОС АД, ул. Кубрат №9, 5500 Ловеч, България.

Manufacturer
SPARKY Power Tools GmbH
Leipziger Str. 20
10117 Berlin, GERMANY

15.06.2012

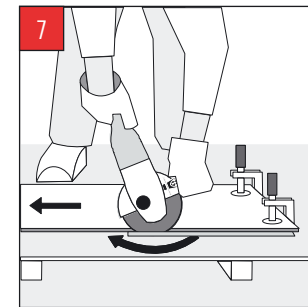
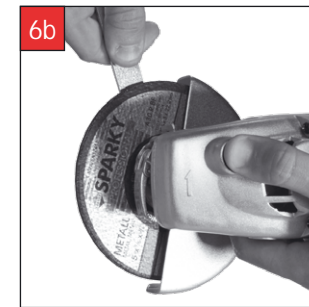
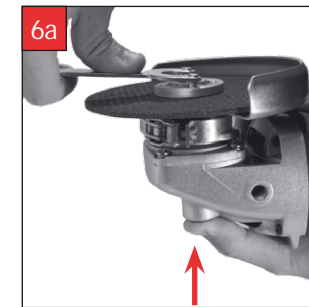
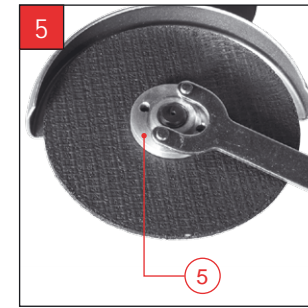
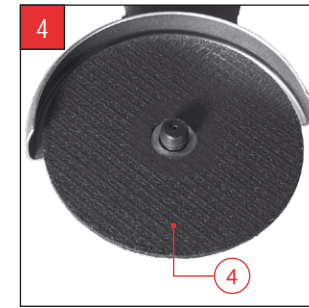
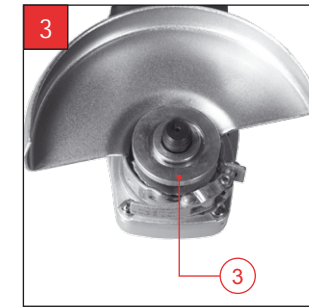
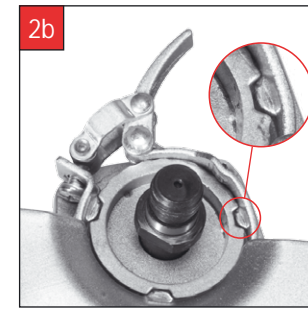
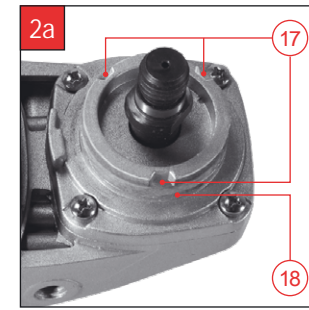
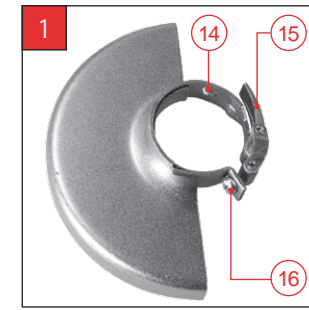
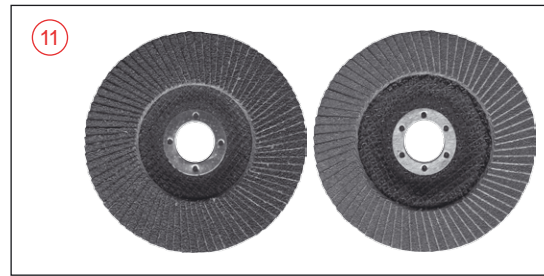
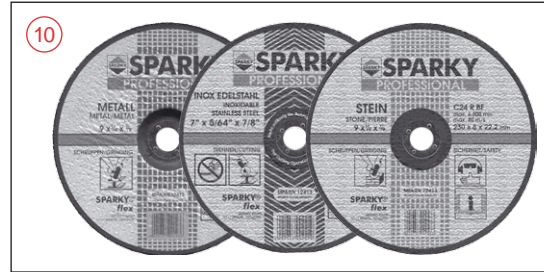
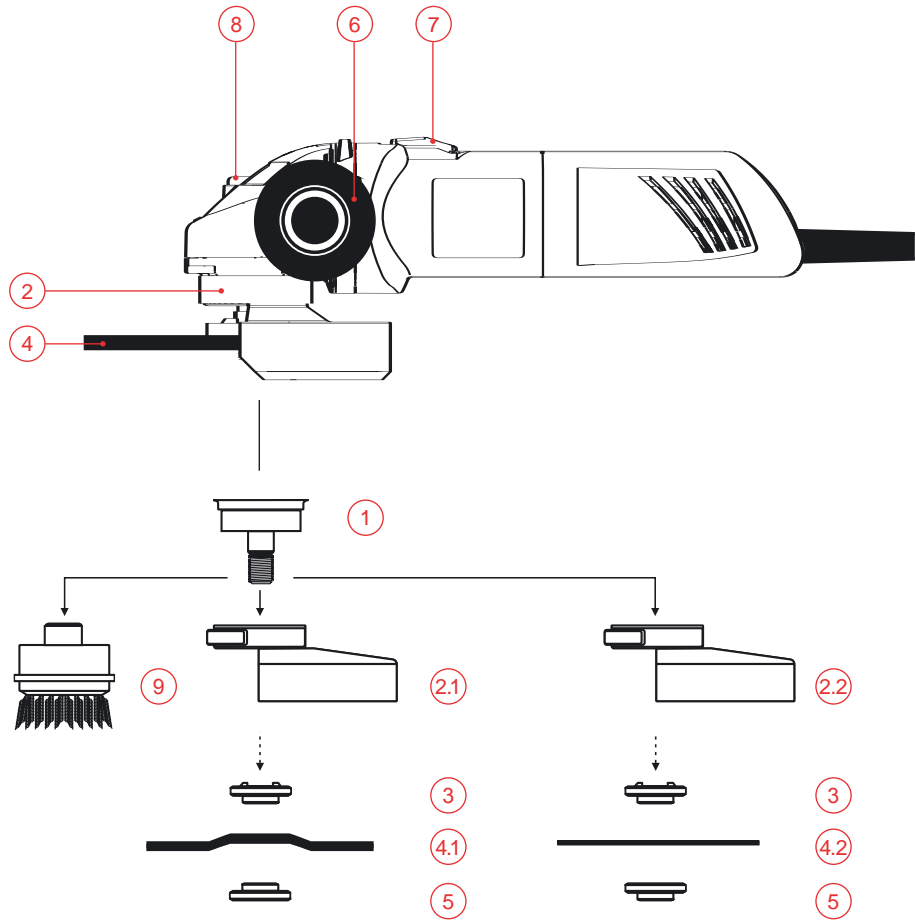
Signature of authorized person

A. Ivanov
Technical director of SPARKY ELTOS AG

1206R02

© 2011 SPARKY

www.sparkygroup.com



Contents

I	- Introduction	1
II	- Technical specifications	3
III	- General power tool safety warnings	4
IV	- Angle grinder safety warnings	5
V	- Know your product	A/7
VI	- Operation	7
VII	- Maintenance	8
VIII	- Warranty	9

UNPACKING

Due to modern mass production techniques, it is unlikely that your power tool is faulty or that a part is missing. If you find anything wrong, do not operate the tool until the parts have been replaced or the fault has been rectified. Failure to do so could result in serious personal injury.

ASSEMBLY

The angle grinder is packed fully assembled except for the wheel guard and the auxiliary handle.

I - Introduction

Your new SPARKY power tool will more than satisfy your expectations. It has been manufactured under stringent SPARKY Quality Standards to meet superior performance criteria. You will find your new tool easy and safe to operate, and, with proper care, it will give you many years of dependable service.



WARNING:

Carefully read through this entire Instruction Manual before using your new SPARKY power tool. Take special care to heed the **Warnings**. Your SPARKY power tool has many features that will make your job faster and easier. Safety, performance, and dependability have been given top priority in the development of this tool, making it easy to maintain and operate.



Do not dispose of electrical products together with household waste!

Waste electrical products should not be disposed of with household waste. Please recycle where facilities exist. Check with your local authority or retailer for recycling advice.



ENVIRONMENTAL PROTECTION

The machine, accessories and packaging should be sorted for environmental-friendly recycling. The plastic components are labelled for categorised recycling.

DESCRIPTION OF SYMBOLS

The rating plate on your power tool may show symbols. These represent important information about the product or instructions on its use.



Always wear eye protection.



Double insulated for additional protection.



Spindle thread: M10



Spindle thread: M14



Conforms to the relevant European Directives



Conforms to the requirements of Russian standards



Conforms to the requirements of Ukrainian standards




Refer to original instructions

YYYY-Www Production period, where the variable symbols are:
YYYY - year of manufacture, ww - calendar week number

M ANGLE GRINDER

II - Technical specifications

Model	M 600	M 650	M 720
▪ Power input	600 W	650 W	720 W
▪ No load speed	11000 min ⁻¹	11000 min ⁻¹	11000 min ⁻¹
▪ Spindle thread	M10	M14	M14
▪ Spindle thread length	20 mm	20 mm	20 mm
▪ Wheel arbor	16	22,23	22,23
▪ Max. wheel diameter	100 mm	115 mm	125 mm
▪ Max. wheel thickness	6 mm	6 mm	6 mm
▪ Weight (EPTA Procedure 01/2003)	1,2 kg	1,2 kg	1,2 kg
▪ Safety class (EN 60745-1) 	II	II	II
NOISE AND VIBRATION INFORMATION (Measured values determined according to EN 60745.)			
▪ Noise emission			
A-weighted sound pressure level L _{PA}	94.2 dB(A)	94.2 dB(A)	94.2 dB(A)
Uncertainty K _{PA}	3 dB	3 dB	3 dB
A-weighted sound power level L _{WA}	105.2 dB(A)	105.2 dB(A)	105.2 dB(A)
Uncertainty K _{WA}	3 dB	3 dB	3 dB



Wear hearing protection!

▪ Vibration emission *			
<i>Total vibration values (vector sum in the three axes) determined according to EN 60745:</i>			
▪ Surface grinding			
Vibration emission value a _{v,AG}	4,2 m/s ²	4,3 m/s ²	4,5 m/s ²
Uncertainty K _{AG}	1,5 m/s ²	1,5 m/s ²	1,5 m/s ²
▪ Sanding			
Vibration emission value a _{v,DS}	3,9 m/s ²	4,0 m/s ²	4,2 m/s ²
Uncertainty K _{DS}	1,5 m/s ²	1,5 m/s ²	1,5 m/s ²

* The vibration emission values are determined according to 6.2.7 EN 60745-1.

The vibration emission level given in this information sheet has been measured in accordance with a standardised test given in EN 60745 and may be used to compare one tool with another. It may be used for a preliminary assessment of exposure.

The declared vibration emission level represents the main applications of the tool. However if the tool is used for different applications, with different accessories or poorly maintained, the vibration emission may differ. This may significantly increase the exposure level over the total working period.

An estimation of the level of exposure to vibration should also take into account the times when the tool is switched off or when it is running but not actually doing the job. This may significantly reduce the exposure level over the total working period.

Maintain the power tool and the accessories and keep your hands warm during operation to reduce the harmful effect of vibrations.

Dust from material such as paint containing lead, some wood species, minerals and metal may be harmful. Contact with or inhalation of the dust may cause allergic reactions and/or respiratory diseases to the operator or bystanders.

Certain kinds of dust are classified as carcinogenic such as oak and beech dust especially in conjunction with additives for wood conditioning (chromate, wood preservative). Material containing asbestos must only be treated by specialists.

- Where the use of a dust extraction device is possible it shall be used.
- To achieve a high level of dust collection, use vacuum cleaner for wood or for wood and/or minerals together with this tool.
- The work place must be well ventilated.
- The use of a dust mask of filter class P2 is recommended.

Follow national requirements for the materials you want to work with.

III - General power tool safety warnings



WARNING! Read all safety warnings and all instructions. Failure to follow the warnings and instructions may result in electric shock, fire and/or serious injury.

Save all warnings and instructions for future reference.

The term "power tool" in the warnings refers to your mains-operated (corded) power tool or battery-operated (cordless) power tool.

1) WORK AREA SAFETY

- a) Keep work area clean and well lit. Cluttered or dark areas invite accidents.
- b) Do not operate power tools in explosive atmospheres, such as in the presence of flammable liquids, gases or dust. Power tools create sparks which may ignite the dust or fumes.
- c) Keep children and bystanders away while operating a power tool. Distractions can cause you to lose control.

2) ELECTRICAL SAFETY

- a) Power tool plugs must match the outlet. Never modify the plug in any way. Do not use any adapter plugs with earthed (grounded) power tools. Unmodified plugs and matching outlets will reduce risk of electric shock.
- b) Avoid body contact with earthed or grounded surfaces, such as pipes, radiators, ranges and refrigerators. There is an increased risk of electric shock if your body is earthed or grounded.
- c) Do not expose power tools to rain or wet conditions. Water entering a power tool will increase the risk of electric shock.
- d) Do not abuse the cord. Never use the cord for carrying, pulling or unplugging the power tool. Keep cord away from heat, oil, sharp edges or moving parts. Damaged or entangled cords increase the risk of electric shock.
- e) When operating a power tool outdoors, use an extension cord suitable for outdoor use. Use of a cord suitable for outdoor use reduces the risk of electric shock.
- f) If operating a power tool in a damp location is unavoidable, use a residual current device (RCD) protected supply. Use of an RCD reduces the risk of electric shock.

3) PERSONAL SAFETY

- a) Stay alert, watch what you are doing and use common sense when operating a power tool. Do not use a power tool while you are tired or under the influence of drugs, alcohol or medication. A moment of inattention while operating power tools may result in serious personal injury.

- b) Use personal protective equipment. Always wear eye protection. Protective equipment such as dust mask, non-skid safety shoes, hard hat, or hearing protection used for appropriate conditions will reduce personal injuries.
- c) Prevent unintentional starting. Ensure the switch is in the off-position before connecting to power source and/or battery pack, picking up or carrying the tool. Carrying power tools with your finger on the switch or energising power tools that have the switch on invites accidents.
- d) Remove any adjusting key or wrench before turning the power tool on. A wrench or a key left attached to a rotating part of the power tool may result in personal injury.
- e) Do not overreach. Keep proper footing and balance at all times. This enables better control of the power tool in unexpected situations.
- f) Dress properly. Do not wear loose clothing or jewellery. Keep your hair, clothing and gloves away from moving parts. Loose clothes, jewellery or long hair can be caught in moving parts.
- g) If devices are provided for the connection of dust extraction and collection facilities, ensure these are connected and properly used. Use of dust collection can reduce dust-related hazards.

4) POWER TOOL USE AND CARE

- a) Do not force the power tool. Use the correct power tool for your application. The correct power tool will do the job better and safer at the rate for which it was designed.
- b) Do not use the power tool if the switch does not turn it on and off. Any power tool that cannot be controlled with the switch is dangerous and must be repaired.
- c) Disconnect the plug from the power source and/or the battery pack from the power tool before making any adjustments, changing accessories, or storing power tools. Such preventive safety measures reduce the risk of starting the power tool accidentally.
- d) Store idle power tools out of the reach of children and do not allow persons unfamiliar with the power tool or these instructions to operate the power tool. Power tools are dangerous in the hands of untrained users.
- e) Maintain power tools. Check for misalignment or binding of moving parts, breakage of parts and any other condition that may affect the power tool's operation. If damaged, have the power tool repaired before use. Many accidents are caused by poorly maintained power tools.
- f) Keep cutting tools sharp and clean. Properly maintained cutting tools with sharp cutting edges are less likely to bind and are easier to control.
- g) Use the power tool, accessories and tool bits etc. in accordance with these instructions, taking into account the working conditions and the work to be performed. Use of the power tool for operations different from those intended could result in a hazardous situation.

5) SERVICE

- a) Have your power tool serviced by a qualified repair person using only identical replacement parts. This will ensure that the safety of the power tool is maintained.

IV - Angle grinder safety warnings

Safety Warnings Common for Grinding, Wire Brushing or Abrasive Cutting-Off Operations:

- a) This power tool is intended to function as a grinder, sander, wire brush, polisher or cut-off tool. Read all safety warnings, instructions, illustrations and specifications provided with this power tool. Failure to follow all instructions listed below may result in electric shock, fire and/or serious injury.
- b) This power tool is not recommended for polishing. Operations for which the power tool was not designed may create a hazard and cause personal injury.
- c) Do not use accessories which are not specifically designed and recommended by the tool manufacturer. Just because the accessory can be attached to your power tool, it does not assure safe operation.
- d) The rated speed of the accessory must be at least equal to the maximum speed marked on the power tool. Accessories running faster than their rated speed can break and fly apart.
- e) The outside diameter and the thickness of your accessory must be within the capacity rating of your power tool. Incorrectly sized accessories cannot be adequately guarded or controlled.
- f) The arbour size of wheels, flanges, backing pads or any other accessory must properly fit the spindle of the power tool. Accessories with arbour holes that do not match the mounting hardware of the power tool will run out of balance, vibrate excessively and may cause loss of control.
- g) Do not use a damaged accessory. Before each use inspect the accessory such as abrasive wheels for chips and cracks, backing pad for cracks, tear or excess wear, wire brush for loose or cracked wires. If power tool or accessory is dropped, inspect for damage or install an undamaged accessory. After inspecting and installing an accessory, position yourself and bystanders away from the plane of the rotating accessory and run the power tool at maximum no-load speed for one minute. Damaged accessories will normally break apart during this test time.
- h) Wear personal protective equipment. Depending on application, use face shield, safety goggles or safety glasses. As appropriate, wear dust mask, hearing protectors, gloves and workshop apron capable of stopping small abrasive or workpiece fragments. The eye protection must be capable of stopping flying debris

generated by various operations. The dust mask or respirator must be capable of filtering particles generated by your operation. Prolonged exposure to high intensity noise may cause hearing loss.

- i) Keep bystanders a safe distance away from work area. Anyone entering the work area must wear personal protective equipment. Fragments of workpiece or of a broken accessory may fly away and cause injury beyond immediate area of operation.
- j) Hold power tool by insulated gripping surfaces only, when performing an operation where the cutting accessory may contact hidden wiring or its own cord. Cutting accessory contacting a "live" wire may make exposed metal parts of the power tool "live" and could give the operator an electric shock.
- k) Position the cord clear of the spinning accessory. If you lose control, the cord may be cut or snagged and your hand or arm may be pulled into the spinning accessory.
- l) Never lay the power tool down until the accessory has come to a complete stop. The spinning accessory may grab the surface and pull the power tool out of your control.
- m) Do not run the power tool while carrying it at your side. Accidental contact with the spinning accessory could snag your clothing, pulling the accessory into your body.
- n) Regularly clean the power tool's air vents. The motor's fan will draw the dust inside the housing and excessive accumulation of powdered metal may cause electrical hazards.
- o) Do not operate the power tool near flammable materials. Sparks could ignite these materials.
- p) Do not use accessories that require liquid coolants. Using water or other liquid coolants may result in electrocution or shock.
 - The tool must be used only for its prescribed purpose. Any use other use than those mentioned in this Instruction will be considered a case of misuse. The user and not the manufacturer shall be liable for any damage or injury resulting from such cases of misuse.
 - The manufacturer shall not be liable for any changes made to the tool nor for any damage resulting from such changes.
 - When operating in dusty environment, the ventilation slots must be kept clean. If it should become necessary to clear dust, first disconnect the tool from the mains supply (use non metallic objects to clean the dust) and avoid damaging internal parts. The power tool will overheat under deteriorated cooling due to the clogged with dust ventilation slots.

Further safety instructions for all operations

Kickback and Related Warnings

Kickback is a sudden reaction to a pinched or snagged rotating wheel, backing pad, brush or any other accessory. Pinching or snagging causes rapid stalling of the rotating accessory which in turn causes the uncontrolled power tool to be forced in the direction opposite of the accessory's rotation at the point of the binding.

For example, if an abrasive wheel is snagged or pinched by the workpiece, the edge of the wheel that is entering into the pinch point can dig into the surface of the material causing the wheel to climb out or kick out. The wheel may either jump toward or away from the operator, depending on direction of the wheel's movement at the point of pinching. Abrasive wheels may also break under these conditions.

Kickback is the result of power tool misuse and/or incorrect operating procedures or conditions and can be avoided by taking proper precautions as given below.

- a) **Maintain a firm grip on the power tool and position your body and arm to allow you to resist kickback forces. Always use auxiliary handle, if provided, for maximum control over kickback or torque reaction during start-up. The operator can control torque reactions or kickback forces, if proper precautions are taken.**
- b) **Never place your hand near the rotating accessory. Accessory may kickback over your hand.**
- c) **Do not position your body in the area where power tool will move if kickback occurs. Kickback will propel the tool in direction opposite to the wheel's movement at the point of snagging.**
- d) **Use special care when working corners, sharp edges etc. Avoid bouncing and snagging the accessory. Corners, sharp edges or bouncing have a tendency to snag the rotating accessory and cause loss of control or kickback.**
- e) **Do not attach a saw chain woodcarving blade or toothed saw blade. Such blades create frequent kickback and loss of control.**
 - **Fix the machined piece in vice or in another appropriate way.**

Safety Warnings Specific for Grinding and Abrasive Cutting-Off Operations:

- a) **Use only wheel types that are recommended for your power tool and the specific guard designed for the selected wheel. Wheels for which the power tool was not designed cannot be adequately guarded and are unsafe.**
- b) **The guard must be securely attached to the power tool and positioned for maximum safety, so the least amount of wheel is exposed towards the operator. The guard helps to protect the operator from broken wheel fragments, accidental contact with wheel and sparks that could ignite clothing.**
- c) **Wheels must be used only for recommended applications. For example: do not grind with the side of cut-off wheel. Abrasive cut-off wheels are intended for peripheral grinding, side forces applied to these wheels may cause them to shatter.**
- d) **Always use undamaged wheel flanges that are of correct size and shape for your selected wheel. Proper wheel flanges support the wheel thus reducing the possibility of wheel breakage. Flanges for cut-off wheels may be different from grinding wheel flanges.**
- e) **Do not use worn down wheels from larger power tools. Wheel intended for larger power tool is not suitable for the higher speed of a smaller tool and may burst.**

- **Always pay attention to the wheel rotation direction. The torque reaction is in the opposite direction of the rotation direction at the point of binding and this is a prerequisite to losing control of the power tool.**
- **Always guide the machine in such a way that sparks and dust can scatter away from your body. Power tools generate sparks which may burn your clothes or unprotected parts of your body.**
- **Grinding and cutting-off operations on freshly painted metal structures is not allowed before the paint has become dry. There is a risk of damp paint ignition.**
- **Cutting of flammable materials (wood, plastics, etc.) and panel structures "sandwich" type with flammable filling is not allowed. There is a risk of fire.**
- **Grinding and cutting-off operations on equipment operating under pressure is not allowed. There is a risk of explosion.**
- **Grinding and cutting-off operations of reservoirs, pipelines, equipment, etc., containing at present or having contained flammable or easily ignitable substances or materials is not allowed without first taking special precautions to prevent fire and explosion. There is a risk of fire and explosion.**

Additional Safety Warnings Specific for Abrasive Cutting-Off Operations:

- a) **Do not "jam" the cut-off wheel or apply excessive pressure. Do not attempt to make an excessive depth of cut. Overstressing the wheel increases the loading and susceptibility to twisting or binding of the wheel in the cut and the possibility of kickback or wheel breakage.**
- b) **Do not position your body in line with and behind the rotating wheel. When the wheel, at the point of operation, is moving away from your body, the possible kickback may propel the spinning wheel and the power tool directly at you.**
- c) **When wheel is binding or when interrupting a cut for any reason, switch off the power tool and hold the power tool motionless until the wheel comes to a complete stop. Never attempt to remove the cut-off wheel from the cut while the wheel is in motion otherwise kickback may occur. Investigate and take corrective action to eliminate the cause of wheel binding.**
- d) **Do not restart the cutting operation in the workpiece. Let the wheel reach full speed and carefully re-enter the cut. The wheel may bind, walk up or kickback if the power tool is restarted in the workpiece.**
- e) **Support panels or any oversized workpiece to minimize the risk of wheel pinching and kickback. Large workpieces tend to sag under their own weight. Supports must be placed under the workpiece near the line of cut and near the edge of the workpiece on both sides of the wheel.**
- f) **Use extra caution when making a "pocket cut" into existing walls or other blind areas. The protruding wheel may cut gas or water pipes, electrical wiring or objects that can cause kickback.**

Safety Warnings Specific for Wire Brushing Operations:

- a) Be aware that wire bristles are thrown by the brush even during ordinary operation. Do not overstress the wires by applying excessive load to the brush. *The wire bristles can easily penetrate light clothing and/or skin.*
- b) If the use of a guard is recommended for wire brushing, do not allow any interference of the wire wheel or brush with the guard. *Wire wheel or brush may expand in diameter due to work load and centrifugal forces.*

V - Know your product

Before using the power tool, familiarize yourself with all the operating features and safety requirements.

Use the tool and accessories only for the applications intended. All other applications are expressly ruled out.

1. Spindle
- 2.1. Wheel guard for grinding wheel
- 2.2. Wheel guard for cutting wheel *
3. Support flange
- 4.1. Grinding wheel (Use only with a wheel guard for grinding wheel!)*
- 4.2. Cutting wheel (Use only with a wheel guard for cutting wheel!)*
5. Fixing flange
6. Auxiliary handle
7. ON/OFF switch
8. Spindle lock button

ACCESSORIES TO BE USED WITH THIS POWER TOOL*

9. Wire cup brush
10. Abrasive wheels for cutting and grinding
11. Flap wheel
12. Anti-vibration handle

* The basic SPARKY accessories used with this machine are shown on pages 96-99. They are not included in the delivery.

VI - Operation

These power tools are supplied from single-phase alternating current mains only. They are double insulated according to EN 50144, IEC 60745-1 and can be connected to grounded or not grounded sockets. This power tool is radio suppressed in compliance with EMC Directive 2004/108/EC.

This power tool is designed for cutting, grinding and brushing mainly metals without using water.

PRIOR TO INITIAL OPERATION

- The machine may be delivered with the wheel guard mounted at the factory. Ensure that the wheel guard is mounted properly and fixed reliably prior to the initial and any following operation.

- The machine may be delivered with the wheel mounted at the factory. Ensure that the wheel is mounted properly and fixed reliably prior to the initial and any following operation.
- Make sure the power supply voltage corresponds to the value indicated on the name plate with technical data of the tool.
- Always check the position of ON/OFF switch. The power tool must be connected to the power supply socket only when this switch is in OFF position. If the plug is connected to a receptacle while the power switch is in the ON position, the power tool will start operating immediately, which could cause a serious accident.
- Make sure that the cord and the plug are in order. If the replacement of the supply cord is necessary, this has to be done by the manufacturer or his agent in order to avoid a safety hazard.



WARNING: Always switch off and unplug the power tool prior to any adjustment, servicing or maintenance.

- Make sure the grinding wheel diameter and thickness do not exceed the values specified on the name plate. The peripheral speed indicated on the wheel must not be less than 80 m/s. The wheels must be stored according to the recommendations of the manufacturer.
- In case the work area is remote from the power source, use as short as practicable extension cord with proper cross-section.
- Check that the auxiliary handle is properly mounted and reliably tightened.

WHEEL GUARD



WARNING: The wheel guard (2.1) for grinding wheels or the wheel guard (2.2) for cutting wheels (for grinding wheels (4.1) or cutting wheels (4.2) accordingly) must always be mounted on the machine!

Its position can be different and depends on which side the auxiliary handle is placed, as well as when the machine is mounted on a stand.

MOUNTING THE WHEEL GUARD

Before performing the following operations switch the machine off and withdraw the plug from the socket.

1. Mounting the wheel guard

- Open the fastening lever (15) and loosen screw (16) if necessary. (Fig.1)
- Place the wheel guard so that the cotters (14) will coincide with the grooves (17) and press the wheel guard down to enter the groove (18) around the bearing bed. (Fig.2a, b)
- Tighten the screw (16) to eliminate the clearance between the guard bracket and the bearing bed enough to ensure slight relative rotation between them.
- Rotate the wheel guard to the desired position.

- Close the fastening lever (15) to fix the wheel guard.
- If necessary, repeat the operation for eliminating the clearance between the guard bracket and the bearing bed.

2. Rotating the wheel guard to a new operating position

- Open the fastening lever (15).
- Turn the wheel guard to the new operation position.
- Close the fastening lever (15).

MOUNTING THE WHEEL

Secure spindle (1) by depressing the spindle lock button (8) provided on the gear case.



WARNING: Never press button (8) while the spindle is still rotating!

- Place the support flange (3) with the grooves downward. (Fig.3)
- Place the wheel (4) strictly upon the support flange with the inscriptions facing down. (Fig.4)
- Place the fixing flange (5) with its flat side toward the wheel (4) and fasten it by hand. Place the two-pin spanner into the openings of the fixing flange (5). (Fig.5)
- With the spindle lock button (8) depressed tighten reliably the fixing flange by the two-pin spanner. (Fig. 6a, b)

After replacing the wheel operate the machine with the new wheel in no load mode for one minute. Vibrating or otherwise improperly rotating wheels must be replaced immediately and discarded.

Cup brushes (9) are screwed directly on spindle (1) by means of an open-end spanner. (Check if the brush thread length is sufficient to accept the spindle thread.)

AUXILIARY HANDLE

Normally the auxiliary handle is screwed on the machine left side. It can be mounted also on the machine right side if this is more convenient for the operator.

SWITCHING ON - SWITCHING OFF

Switching on: Push the back end of the ON/OFF switch (7) down and then forward in the direction of the arrow until its front end will sag, thus fixing itself.

Switching off: Press the back, lifted end of switch (7) and release it to return in its initial position.



WARNING: At low temperature or if the power tool has not been used for a long period, switch on and let the power tool run for one minute at no load in order to establish normal operation mode, thus achieving improved lubrication and prolonged life of the power tool.

RECOMMENDATIONS

When cutting, do not apply pressure, do not oscillate the wheel. Work with moderate feed rate, suited to the mate-

rial to be machined.

The direction of cutting is very significant. The machine must always be fed against the direction of wheel rotation. Otherwise, danger exists for the wheel to be forced uncontrolled out of the cut. (Fig.7)

When cutting profiles or rectangular pipes it is best to start with the smallest cross section.

When grinding do not apply pressure to the processed surface by rearing down on the machine but move the wheel regularly backwards and forwards. Special wheels shall be used for processing non-ferrous metals. Best results when roughing can be achieved with the wheel inclined at 30° to 40° to the processed surface. Never use cutting wheels for roughing operations. Usage of wheels thicker than 6 mm is not recommended.

VII - Maintenance



WARNING: Always ensure that the tool is switched off and unplugged before attempting to perform inspection or maintenance.

BRUSH REPLACEMENT

This power tool is equipped with auto-stop brushes. When the carbon brushes are worn out, the machine switches itself off. In this case both brushes must be replaced simultaneously with genuine brushes at SPARKY service centre for warranty and post-warranty service.

GENERAL INSPECTION

Regularly inspect all fasteners and ensure they are properly tightened. Should any of the screws be loose, retighten it immediately to avoid hazards.

If the replacement of the supply cord is necessary, this has to be done by the manufacturer or his agent in order to avoid a safety hazard.

CLEANING

For safe operation always keep the machine and its ventilation slots clean.

Regularly check to see if any dust or foreign matter has entered the ventilation slots and the grills around the switches. Use a soft brush and/or air jet to remove any accumulated dust. Wear safety glasses to protect your eyes whilst cleaning.

Exterior plastic parts may be cleaned with a damp cloth and mild detergent if necessary.



WARNING: Never use alcohol, petrol or other cleaning agent. Never use caustic agents to clean plastic parts.



WARNING: Water must never come into contact with the tool.

IMPORTANT! To assure product safety and reliability, repairs, maintenance and adjustment (including brush inspection and replacement) should be performed by certified service centres or other qualified service organisations, always using genuine replacement parts.

VIII - Warranty

The guarantee period for SPARKY power tools is determined in the guarantee card.

Faults due to normal wear, overloading or improper handling will be excluded from the guarantee.

Faults due to defective materials implemented as well as defects in workmanship will be corrected free of charge through replacement or repair.

The complaints for defective SPARKY power tools will be recognized if the machine is sent back to the dealer or is presented to the authorised warranty service centre undismantled, in its initial condition.

Notes

Carefully read the entire original instructions before using this product.

The manufacturer reserves the right to make changes and improvements to the products and to alter specifications without prior notice.

Specifications may differ from country to country.

Inhaltsverzeichnis

I	- Einführung	10
II	- Technische Daten.....	12
III	- Allgemeine Sicherheitshinweise für Elektrowerkzeuge.....	13
IV	- Zusätzliche Anleitungen für Sicherheit bei Arbeiten mit Winkelschleifern	14
V	- Elemente des Elektrowerkzeugs	A/16
VI	- Betriebshinweise	17
VII	- Wartung	18
VIII	- Garantie	19

AUSPACKEN

Überprüfen Sie unmittelbar nach dem Auspacken ob sämtliche Bestandteile und das beschriebene Zubehör mitgeliefert wurden. Sollte dies nicht der Fall sein, wenden Sie sich bitte umgehend an Ihren Fachhändler bei dem das Elektrowerkzeug gekauft wurde. Dies trifft auch dann zu, wenn Sie den Eindruck haben mit dem Gerät ist etwas nicht in Ordnung. Eine Nichtbeachtung dieser Empfehlung kann zu schweren Unfällen führen.

ZUSAMMENBAU

Der Winkelschleifer wird verpackt und vollständig montiert, mit Ausnahme des Zusatzhandgriffes und der Schutzhaube, geliefert.

I - Einführung

Das von Ihnen erworbene Elektrowerkzeug wird Ihre Erwartungen übersteigen. Es ist gemäß den hohen Qualitätsstandards von SPARKY hergestellt, die den strengen Anforderungen des Verbrauchers entsprechen. Einfach in der Bedienung und ungefährlich bei richtiger Handhabung, wird dieses Gerät bei bestimmungsgemäßem Gebrauch Ihnen lange Jahre zuverlässig dienen.

WARNUNG!



Lesen Sie die ganze Bedienungsanleitung aufmerksam durch, bevor Sie das neu erworbene SPARKY – Elektrowerkzeug in Betrieb nehmen. Beachten Sie besonders die Texte, die mit dem Wört „**Warnung**“ beginnen. Ihr SPARKY - Elektrowerkzeug besitzt viele Eigenschaften, die Ihre Arbeit erleichtern werden. Bei der Entwicklung dieses Elektrowerkzeuges ist höchste Aufmerksamkeit der Sicherheit, den Betriebseigenschaften und der Zuverlässigkeit gewidmet worden, die es einfach zur Wartung und Bedienung machen.



Keine elektrischen Geräte zusammen mit dem Hausmüll wegwerfen!

Die Abfälle von elektrischen Erzeugnissen sollen nicht zusammen mit dem Hausmüll gesammelt werden. Für eine umweltgerechte Entsorgung geben Sie Ihre alten / defekten Elektrogeräte bitte in der nächsten kommunalen Sammelstelle ab.

UMWELTSCHUTZ



Angesichts des Umweltschutzes sollten das Elektrowerkzeug, die Zubehörteile und die Verpackung einer geeigneten Wiederverwertung zugeführt werden. Zum sortenreinen Recycling sind die Teile, hergestellt aus Kunststoffen, entsprechend gekennzeichnet.

BEDEUTUNG DER SYMBOLE

Auf dem Typenschild des Elektrowerkzeuges sind spezielle Symbole dargestellt. Sie stellen wichtige Information über das Produkt oder Instruktionen für seine Nutzung dar.



Tragen Sie immer eine Schutzbrille.



Doppelte Isolierung für zusätzlichen Schutz.



Spindelgewinde: M10



Spindelgewinde: M14



Entspricht den einschlägigen Europäischen Richtlinien



Entspricht den Anforderungen der russischen normativen Dokumente



Entspricht den Anforderungen der ukrainischen normativen Dokumenten



Lesen Sie die Bedienungsanleitung



YYYY-Www

Zeitabschnitt der Produktion, wobei die variablen Symbole sind:
YYYY - Kalenderjahr der Produktion, ww - laufende Kalenderwoche

M

WINKELSCHLEIFER

II - Technische Daten

Modell	M 600	M 650	M 720
▪ Aufnahmeleistung	600 W	650 W	720 W
▪ Leerlaufdrehzahl	11000 min ⁻¹	11000 min ⁻¹	11000 min ⁻¹
▪ Anschlussgewinde der Spindel	M10	M14	M14
▪ Gewindelänge der Spindel	20 mm	20 mm	20 mm
▪ Innendurchmesser der Schleifscheibe	16	22,23	22,23
▪ Max Durchmesser der Schleifscheibe	100 mm	115 mm	125 mm
▪ Max Stärke der Schleifscheibe	6 mm	6 mm	6 mm
▪ Gewicht (EPTA Prozedur 01/2003)	1,2 kg	1,2 kg	1,2 kg
▪ Schutzklasse (EN 60745-1) 	II	II	II
GERÄUSCH-/VIBRATIONSINFORMATION (Messwerte ermittelt entsprechend EN 60745)			
▪ Geräuschemissionswerte			
Der A-bewertete Schalldruckpegel L _{pA}	94,2 dB(A)	94,2 dB(A)	94,2 dB(A)
Messunsicherheit K _{gA}	3 dB	3 dB	3 dB
Der A-bewertete Schalleistungspegel L _{WA}	105,2 dB(A)	105,2 dB(A)	105,2 dB(A)
Messunsicherheit K _{WA}	3 dB	3 dB	3 dB
 Gehörschutz tragen!			
▪ Schwingungsemissionswerte*			
<i>Schwingungsgesamtwerte (Vektorsumme dreier Richtungen) ermittelt entsprechend EN 60745</i>			
▪ Schleifen von Oberflächen			
Schwingungsemissionswert a _{h,AG}	4,2 m/s ²	4,3 m/s ²	4,5 m/s ²
Messunsicherheit K _{AG}	1,5 m/s ²	1,5 m/s ²	1,5 m/s ²
▪ Schleifen mit Schleiflein			
Schwingungsemissionswert a _{h,DS}	3,9 m/s ²	4,0 m/s ²	4,2 m/s ²
Messunsicherheit K _{DS}	1,5 m/s ²	1,5 m/s ²	1,5 m/s ²

* Messwerte ermittelt nach 6.2.7 EN 60745-1.

Der in diesen Anweisungen angegebene Schwingungspegel ist entsprechend einem in EN 60745 genormten Messverfahren gemessen worden und kann für den Vergleich von Elektrowerkzeugen miteinander verwendet werden. Er eignet sich auch für eine vorläufige Einschätzung der Schwingungsbelastung.

Der angegebene Schwingungspegel repräsentiert die hauptsächlichen Anwendungen des Elektrowerkzeugs. Wenn allerdings das Elektrowerkzeug für andere Anwendungen, mit abweichenden Einsatzwerkzeugen oder ungenügender Wartung eingesetzt wird, kann der Schwingungspegel abweichen. Dies kann die Schwingungsbelastung über den gesamten Arbeitszeitraum deutlich erhöhen.

Für eine genaue Abschätzung der Schwingungsbelastung sollten auch die Zeiten berücksichtigt werden, in denen das Gerät abgeschaltet ist oder zwar läuft, aber nicht tatsächlich im Einsatz ist. Dies kann die Schwingungsbelastung über den gesamten Arbeitszeitraum deutlich reduzieren.

Pflegen Sie das Gerät und die Einsatzwerkzeuge mit Sorgfalt. Halten Sie Ihre Hände warm während der Arbeit – dies wird die schädliche Einwirkung erhöhter Schwingungen reduzieren.

Stäube von Materialien wie bleihaltigem Anstrich, einigen Holzarten, Mineralien und Metall können gesundheitsschädlich sein. Berühren oder Einatmen der Stäube können allergische Reaktionen und/oder Atemwegserkrankungen des Benutzers oder in der Nähe befindlicher Personen hervorrufen.

Bestimmte Stäube wie Eichen- oder Buchenstaub gelten als krebserzeugend, besonders in Verbindung mit Zusatzstoffen zur Holzbehandlung (Chromat, Holzschutzmittel). Asbesthaltiges Material darf nur von Fachleuten bearbeitet werden.

- Benutzen Sie möglichst eine Staubabsaugung.
- Um bei der Arbeit mit diesem Elektrowerkzeug ein gutes Staubabfangen zu gewährleisten, benutzen Sie einen Staubabsauger, der für Holzstaub oder für Holz- und mineralischen Staub bestimmt ist.
- Sorgen Sie für gute Belüftung des Arbeitsplatzes.
- Es wird empfohlen, eine Atemschutzmaske mit Filterklasse P2 zu tragen.

Beachten Sie in Ihrem Land gültige Vorschriften für die zu bearbeitenden Materialien.

III - Allgemeine Sicherheitshinweise für Elektrowerkzeuge



WARNING: Lesen Sie alle Sicherheitshinweise und Anweisungen. Versäumnisse bei der Einhaltung der Sicherheitshinweise und Anweisungen können elektrischen Schlag, Brand und/oder schwere Verletzungen verursachen.

Bewahren Sie alle Sicherheitshinweise und Anweisungen für die Zukunft auf.

Der in den Sicherheitshinweisen verwendete Begriff „Elektrowerkzeug“ bezieht sich auf netzbetriebene Elektrowerkzeuge (mit Netzkabel) und auf akkubetriebene Elektrowerkzeuge (ohne Netzkabel).

1) ARBEITSPLATZSICHERHEIT

- Halten Sie Ihren Arbeitsbereich sauber und gut beleuchtet. Unordnung oder unbeleuchtete Arbeitsbereiche können zu Unfällen führen.
- Arbeiten Sie mit dem Elektrowerkzeug nicht in explosionsgefährdeter Umgebung, in der sich brennbare Flüssigkeiten, Gase oder Stäube befinden. Elektrowerkzeuge erzeugen Funken, die den Staub oder die Dämpfe entzünden können.
- Halten Sie Kinder und andere Personen während der Benutzung des Elektrowerkzeugs fern. Bei Ablenkung können Sie die Kontrolle über das Gerät verlieren.

2) ELEKTRISCHE SICHERHEIT

- Der Anschlussstecker des Elektrowerkzeuges muss in die Steckdose passen. Der Stecker darf in keiner Weise verändert werden. Verwenden Sie keine Adapterstecker gemeinsam mit schutzgeerdeten Elektrowerkzeugen. Unveränderte Stecker und passende Steckdosen verringern das Risiko eines elektrischen Schlages.
- Vermeiden Sie Körperkontakt mit geerdeten Oberflächen wie von Rohren, Heizungen, Herden und Kühlschränken. Es besteht ein erhöhtes Risiko durch elektrischen Schlag, wenn Ihr Körper geerdet ist.
- Halten Sie Elektrowerkzeuge von Regen oder Nässe fern. Das Eindringen von Wasser in ein Elektrowerkzeug erhöht das Risiko eines elektrischen Schlages.
- Zweckfremden Sie das Kabel nicht, um das Elektrowerkzeug zu tragen, aufzuhängen oder um den Stecker aus der Steckdose zu ziehen. Halten Sie das Kabel fern von Hitze, Öl, scharfen Kanten oder sich bewegenden Geräteteilen. Beschädigte oder verwickelte Kabel erhöhen das Risiko eines elektrischen Schlages.
- Wenn Sie mit einem Elektrowerkzeug im Freien arbeiten, verwenden Sie nur Verlängerungskabel, die auch für den Außenbereich geeignet sind. Die Anwendung eines für den Außenbereich geeigneten

Verlängerungskabels verringert das Risiko eines elektrischen Schlages.

- Wenn der Betrieb des Elektrowerkzeuges in feuchter Umgebung nicht vermeidbar ist, verwenden Sie einen Fehlerstromschutzschalter. Der Einsatz eines Fehlerstromschutzschalters vermindert das Risiko eines elektrischen Schlages.

3) SICHERHEIT VON PERSONEN

- Seien Sie aufmerksam, achten Sie darauf, was Sie tun, und gehen Sie mit Vernunft an die Arbeit mit einem Elektrowerkzeug. Benutzen Sie kein Elektrowerkzeug, wenn Sie müde sind oder unter dem Einfluss von Drogen, Alkohol oder Medikamenten stehen. Ein Moment der Unachtsamkeit beim Gebrauch des Elektrowerkzeuges kann zu ernsthaften Verletzungen führen.
- Tragen Sie persönliche Schutzausrüstung und immer eine Schutzbrille. Das Tragen persönlicher Schutzausrüstung, wie Staubmaske, rutschfeste Sicherheitsschuhe, Schutzhelm oder Gehörschutz, je nach Art und Einsatz des Elektrowerkzeuges, verringert das Risiko von Verletzungen.
- Vermeiden Sie eine unbeabsichtigte Inbetriebnahme. Vergewissern Sie sich, dass das Elektrowerkzeug ausgeschaltet ist, bevor Sie es an die Stromversorgung und/oder den Akku anschließen, es aufnehmen oder tragen. Wenn Sie beim Tragen des Elektrowerkzeuges den Finger am Schalter haben oder das Gerät eingeschaltet an die Stromversorgung anschließen, kann dies zu Unfällen führen.
- Entfernen Sie Einstellwerkzeuge oder Schraubenschlüssel, bevor Sie das Elektrowerkzeug einschalten. Ein Werkzeug oder Schlüssel, der sich in einem drehenden Geräteteil befindet, kann zu Verletzungen führen.
- Vermeiden Sie eine abnormale Körperhaltung. Sorgen Sie für einen sicheren Stand und halten Sie jederzeit das Gleichgewicht. Dadurch können Sie das Elektrowerkzeug in unerwarteten Situationen besser kontrollieren.
- Tragen Sie geeignete Kleidung. Tragen Sie keine weite Kleidung oder Schmuck. Halten Sie Haare, Kleidung und Handschuhe fern von sich bewegenden Teilen. Lockere Kleidung, Schmuck oder lange Haare können von sich bewegenden Teilen erfasst werden.
- Wenn Staubabsaug- und -auffangeinrichtungen montiert werden können, vergewissern Sie sich, dass diese angeschlossen sind und richtig verwendet werden. Verwendung einer Staubabsaugung kann Gefährdungen durch Staub verringern.

4) VERWENDUNG UND BEHANDLUNG DES ELEKTROWERKZEUGES

- Überlasten Sie das Gerät nicht. Verwenden Sie für Ihre Arbeit das dafür bestimmte Elektrowerkzeug. Mit dem passenden Elektrowerkzeug arbeiten Sie besser und sicherer im angegebenen Leistungsbereich.
- Benutzen Sie kein Elektrowerkzeug, dessen Schalter defekt ist. Ein Elektrowerkzeug, das sich

nicht mehr ein- oder ausschalten lässt, ist gefährlich und muss repariert werden.

- c) Ziehen Sie den Stecker aus der Steckdose und/ oder entfernen Sie den Akku, bevor Sie Geräteeinstellungen vornehmen, Zubehörteile wechseln oder das Gerät weglegen. Diese Vorsichtsmaßnahme verhindert den unbeabsichtigten Start des Elektrowerkzeuges.
- d) Bewahren Sie unbenutzte Elektrowerkzeuge außerhalb der Reichweite von Kindern auf. Lassen Sie Personen das Gerät nicht benutzen, die mit diesem nicht vertraut sind oder diese Anweisungen nicht gelesen haben. Elektrowerkzeuge sind gefährlich, wenn Sie von unerfahrenen Personen benutzt werden.
- e) Pflegen Sie Elektrowerkzeuge mit Sorgfalt. Kontrollieren Sie, ob bewegliche Teile einwandfrei funktionieren und nicht klemmen, ob Teile gebrochen oder so beschädigt sind, dass die Funktion des Elektrowerkzeuges beeinträchtigt ist. Lassen Sie beschädigte Teile vor dem Einsatz des Gerätes reparieren. Viele Unfälle haben ihre Ursache in schlecht gewarteten Elektrowerkzeugen.
- f) Halten Sie Schneidwerkzeuge scharf und sauber. Sorgfältig gepflegte Schneidwerkzeuge mit scharfen Schneidkanten verklemmen sich weniger und sind leichter zu führen.
- g) Verwenden Sie Elektrowerkzeug, Zubehör, Einsatzwerkzeuge usw. entsprechend diesen Anweisungen. Berücksichtigen Sie dabei die Arbeitsbedingungen und die auszuführende Tätigkeit. Der Gebrauch von Elektrowerkzeugen für andere als die vorgesehenen Anwendungen kann zu gefährlichen Situationen führen.

5) SERVICE

- a) Lassen Sie Ihr Elektrowerkzeug nur von qualifiziertem Fachpersonal und nur mit Original-Ersatzteilen reparieren. Damit wird sichergestellt, dass die Sicherheit des Elektrowerkzeuges erhalten bleibt.
- h) Tragen Sie persönliche Schutzausrüstung. Verwenden Sie je nach Anwendung Vollgesichtsschutz, Augenschutz oder Schutzbrille. Soweit angemessen, tragen Sie Staubmaske, Gehörschutz, Schutzhandschuhe oder Spezialschürze, die kleine Schleif- und Materialpartikel von Ihnen fernhält. Die Augen sollen vor herumfliegenden Fremdkörpern geschützt werden, die bei verschiedenen Anwendungen entstehen. Staub- oder Atemschutzmaske müssen den bei der Anwendung entstehenden Staub filtern. Wenn Sie lange lautem Lärm ausgesetzt sind, können Sie einen Hörverlust erleiden.

IV - Zusätzliche Anleitungen für Sicherheit bei Arbeiten mit Winkelschleifern

Gemeinsame Sicherheitshinweise zum Schleifen, Arbeiten mit Drahtbürsten und Trennschleifen:

- a) Dieses Elektrowerkzeug ist zu verwenden als Schleifer, Sandpapierschleifer, Drahtbürste, Polierer und Trennschleifmaschine. Beachten Sie alle Sicherheitshinweise, Anweisungen, Darstellungen und Daten, die Sie mit dem Gerät erhalten. Wenn Sie die folgenden Anweisungen nicht beachten, kann es zu elektrischem Schlag, Feuer und/oder schweren Verletzungen kommen.
- b) Dieses Elektrowerkzeug ist nicht geeignet zum Polieren. Verwendungen, für die das Elektrowerkzeug nicht vorgesehen ist, können Gefährdungen und Verletzungen verursachen.
- i) Achten Sie bei anderen Personen auf sicheren Abstand zu Ihrem Arbeitsbereich. Jeder, der den Arbeitsbereich betritt, muss persönliche Schutzausrüstung tragen. Bruchstücke des Werkstücks oder gebrochener Einsatzwerkzeuge können wegfliegen und Verletzungen auch außerhalb des direkten Arbeitsbereichs verursachen.
- j) Halten Sie das Gerät nur an den isolierten Griffflächen, wenn Sie Arbeiten ausführen, bei denen das Einsatzwerkzeug verborgene Stromleitungen oder das eigene Netzkabel treffen kann. Der Kontakt mit einer spannungsführenden Leitung kann auch metallene Geräteteile unter Spannung setzen

und zu einem elektrischen Schlag führen.

- k) Halten Sie das Netzkabel von sich drehenden Einsatzwerkzeugen fern. Wenn Sie die Kontrolle über das Gerät verlieren, kann das Netzkabel durchtrennt oder erfasst werden und Ihre Hand oder Ihr Arm in das sich drehende Einsatzwerkzeug geraten.
- l) Legen Sie das Elektrowerkzeug niemals ab, bevor das Einsatzwerkzeug völlig zum Stillstand gekommen ist. Das sich drehende Einsatzwerkzeug kann in Kontakt mit der Ablagefläche geraten, wodurch Sie die Kontrolle über das Elektrowerkzeug verlieren können.
- m) Lassen Sie das Elektrowerkzeug nicht laufen, während Sie es tragen. Ihre Kleidung kann durch zufälligen Kontakt mit dem sich drehenden Einsatzwerkzeug erfasst werden und das Einsatzwerkzeug sich in Ihren Körper bohren.
- n) Reinigen Sie regelmäßig die Lüftungsschlitze Ihres Elektrowerkzeugs. Das Motorgebläse zieht Staub in das Gehäuse, und eine starke Ansammlung von Metallstaub kann elektrische Gefahren verursachen.
- o) Verwenden Sie das Elektrowerkzeug nicht in der Nähe brennbarer Materialien. Funken können diese Materialien entzünden.
- p) Verwenden Sie keine Einsatzwerkzeuge, die flüssige Kühlmittel erfordern. Die Verwendung von Wasser oder anderen flüssigen Kühlmitteln kann zu einem elektrischen Schlag führen.
- Das Elektrowerkzeug darf nur zu dem angegebenen Verwendungszweck gebraucht werden. Jegliche andere Verwendung, anders als in diesen Anleitungen beschrieben wird als nicht richtige Verwendung betrachtet. Die Verantwortung für jegliche Verletzung in Folge einer unrichtigen Verwendung wird vom Betreiber getragen und nicht von dem Hersteller.
 - Der Hersteller trägt keine Verantwortung für die durch den Betreiber vorgenommenen Änderungen an dem Elektrowerkzeug oder für Beschädigungen, verursacht durch diese Änderungen.
 - Bei Arbeit in einer staubigen Umgebung müssen die Ventilationsöffnungen der Maschine rein gehalten werden. Wenn diese vom Staub zu reinigen sind, schalten Sie zuerst die Stromversorgung ab und nutzen Sie keine Metallgegenstände für die Staubreinigung, wobei Sie darauf achten sollten die Innenbauteile der Maschine nicht zu beschädigen. Das Elektrowerkzeug wird überhitzt wenn die Kühlung durch verstaubte Ventilationsöffnungen reduziert wird.

Weitere Sicherheitshinweise für alle Anwendungen

Rückschlag und entsprechende Sicherheitshinweise

Rückschlag ist die plötzliche Reaktion infolge eines hakenden oder blockierten drehenden Einsatzwerkzeugs, wie Schleifscheibe, Schleifteller, Drahtbürste usw. Verhaken oder Blockieren führt zu einem abrupten Stopp des rotierenden Einsatzwerkzeugs. Dadurch wird ein unkontrolliertes Elektrowerkzeug gegen die Drehrichtung des Einsatzwerkzeugs an der Blockierstelle beschleunigt.

Wenn z. B. eine Schleifscheibe im Werkstück hakt oder blockiert, kann sich die Kante der Schleifscheibe, die in das Werkstück eintaucht, verfangen und dadurch die Schleifscheibe ausbrechen oder einen Rückschlag verursachen. Die Schleifscheibe bewegt sich dann auf die Bedienperson zu oder von ihr weg, je nach Drehrichtung der Scheibe an der Blockierstelle. Hierbei können Schleifscheiben auch brechen.

Ein Rückschlag ist die Folge eines falschen oder fehlerhaften Gebrauchs des Elektrowerkzeugs. Er kann durch geeignete Vorsichtsmaßnahmen, wie nachfolgend beschrieben, verhindert werden.

- a) Halten Sie das Elektrowerkzeug gut fest und bringen Sie Ihren Körper und Ihre Arme in eine Position, in der Sie die Rückschlagkräfte abfangen können. Verwenden Sie immer den Zusatzgriff, falls vorhanden, um die größtmögliche Kontrolle über Rückschlagkräfte oder Reaktionsmomente beim Hochlauf zu haben. Die Bedienperson kann durch geeignete Vorsichtsmaßnahmen die Rückschlag- und Reaktionskräfte beherrschen.
- b) Bringen Sie Ihre Hand nie in die Nähe sich drehender Einsatzwerkzeuge. Das Einsatzwerkzeug kann sich beim Rückschlag über Ihre Hand bewegen.
- c) Meiden Sie mit Ihrem Körper den Bereich, in den das Elektrowerkzeug bei einem Rückschlag bewegt wird. Der Rückschlag treibt das Elektrowerkzeug in die Richtung entgegengesetzt zur Bewegung der Schleifscheibe an der Blockierstelle.
- d) Arbeiten Sie besonders vorsichtig im Bereich von Ecken, scharfen Kanten usw. Verhindern Sie, dass Einsatzwerkzeuge vom Werkstück zurückprallen und verkleben. Das rotierende Einsatzwerkzeug neigt bei Ecken, scharfen Kanten oder wenn es abprallt dazu, sich zu verkleben. Dies verursacht einen Kontrollverlust oder Rückschlag.
- e) Verwenden Sie kein Ketten- oder gezähntes Sägeblatt. Solche Einsatzwerkzeuge verursachen häufig einen Rückschlag oder den Verlust der Kontrolle über das Elektrowerkzeug.
- Das zu bearbeitende Werkstück festspannen oder entsprechend sichern.

Besondere Sicherheitshinweise zum Schleifen und Trennschleifen:

- a) Verwenden Sie ausschließlich die für Ihr Elektrowerkzeug zugelassenen Schleifkörper und die für diese Schleifkörper vorgesehene Schutzhaube. Schleifkörper, die nicht für das Elektrowerkzeug vorgesehen sind, können nicht ausreichend abgeschirmt werden und sind unsicher.
- b) Die Schutzhaube muss sicher am Elektrowerkzeug angebracht und so eingestellt sein, dass ein Höchstmaß an Sicherheit erreicht wird, d. h. der kleinstmögliche Teil des Schleifkörpers zeigt offen zur Bedienperson. Die Schutzhaube soll die Bedienperson vor Bruchstücken, vor zufälligem Kontakt mit dem Schleifkörper und vor Funken, die seine Bekleidung anzünden könnten, schützen.
- c) Schleifkörper dürfen nur für die empfohlenen Einsatzmöglichkeiten verwendet werden. Zum Beispiel: Schleifen Sie nie mit der Seitenfläche einer Trennscheibe. Trennscheiben sind zum Materialabtrag mit der Kante der Scheibe bestimmt.

Seitliche Krafteinwirkung auf diese Schleifkörper kann sie zerbrechen.

- d) **Verwenden Sie immer unbeschädigte Spannflansche in der richtigen Größe und Form für die von Ihnen gewählte Schleifscheibe. Geeignete Flansche stützen die Schleifscheibe und verringern so die Gefahr eines Schleifscheibenbruchs. Flansche für Trennscheiben können sich von den Flanschen für andere Schleifscheiben unterscheiden.**
- e) **Verwenden Sie keine abgenutzten Schleifscheiben von größeren Elektrowerkzeugen. Schleifscheiben für größere Elektrowerkzeuge sind nicht für die höheren Drehzahlen von kleineren Elektrowerkzeugen ausgelegt und können brechen.**
- **Beachten Sie immer die Drehrichtung der Scheibe.**
 - **Halten Sie die Maschine immer so, dass die Funken und der Staub durch das Schleifen am Körper vorbeifliegen. Die Arbeit mit dem Winkelschleifer erzeugt Funken welche die Kleidung oder nicht geschützte Teile des Körpers verbrennen können.**
 - **Das Schleifen und Schneiden von frisch gestrichenen Metallteilen ist nicht zulässig bevor die Farbe vollständig getrocknet ist. Es besteht die Gefahr, dass sich die nicht trockene Farbe entzündet.**
 - **Das Schneiden in brennbare Materialien (Holz, Kunststoff u.a.) sowie Plattenkonstruktionen Type "Sandwich" mit brennbarer Füllung ist ebenfalls nicht zulässig. Es besteht Feuergefahr.**
 - **Nicht zulässig ist das Schleifen und das Schneiden von Ausrüstungen, die unter Druck stehen bzw. arbeiten. Es besteht Explosionsgefahr.**
 - **Nicht zugelassen ist das Schleifen und das Schneiden von Behältern, Rohrleitungen, Geräten u. a. , die gefüllt sind oder gefüllt wurden mit brennbaren oder leicht entzündlichen Stoffen oder Materialien, ohne das zuvor Maßnahmen gegen Feuer oder eine Explosion getroffen wurden. Es besteht Feuer oder Explosionsgefahr.**

Weitere besondere Sicherheitshinweise zum Trennschleifen:

- a) **Vermeiden Sie ein Blockieren der Trennscheibe oder zu hohen Anpressdruck. Führen Sie keine übermäßig tiefen Schnitte aus. Eine Überlastung der Trennscheibe erhöht deren Beanspruchung und die Anfälligkeit zum Verkanten oder Blockieren und damit die Möglichkeit eines Rückschlags oder Schleifkörperbruchs.**
- b) **Meiden Sie den Bereich vor und hinter der rotierenden Trennscheibe. Wenn Sie die Trennscheibe im Werkstück von sich wegbewegen, kann im Falle eines Rückschlags das Elektrowerkzeug mit der sich drehenden Scheibe direkt auf Sie zugeschleudert werden.**
- c) **Falls die Trennscheibe verklemmt oder Sie die Arbeit unterbrechen, schalten Sie das Gerät aus und halten Sie es ruhig, bis die Scheibe zum Stillstand gekommen ist. Versuchen Sie nie, die noch laufende Trennscheibe aus dem Schnitt zu**

ziehen, sonst kann ein Rückschlag erfolgen. Ermitteln und beheben Sie die Ursache für das Verklemmen.

- d) **Schalten Sie das Elektrowerkzeug nicht wieder ein, solange es sich im Werkstück befindet. Lassen Sie die Trennscheibe erst ihre volle Drehzahl erreichen, bevor Sie den Schnitt vorsichtig fortsetzen. Anderenfalls kann die Scheibe verhaken, aus dem Werkstück springen oder einen Rückschlag verursachen.**
- e) **Stützen Sie Platten oder große Werkstücke ab, um das Risiko eines Rückschlags durch eine eingeklemmte Trennscheibe zu vermindern. Große Werkstücke können sich unter ihrem eigenen Gewicht durchbiegen. Das Werkstück muss auf beiden Seiten der Scheibe abgestützt werden, und zwar sowohl in der Nähe des Trennschnitts als auch an der Kante.**
- f) **Seien Sie besonders vorsichtig bei „Taschenschnitten“ in bestehende Wände oder andere nicht einsehbare Bereiche. Die eintauchende Trennscheibe kann beim Schneiden in Gas- oder Wasserleitungen, elektrische Leitungen oder andere Objekte einen Rückschlag verursachen.**

Besondere Sicherheitshinweise zum Arbeiten mit Drahtbürsten:

- a) **Beachten Sie, dass die Drahtbürste auch während des üblichen Gebrauchs Drahtstücke verliert. Überlasten Sie die Drähte nicht durch zu hohen Anpressdruck. Wegfliegende Drahtstücke können sehr leicht durch dünne Kleidung und/oder die Haut dringen.**
- b) **Wird eine Schutzhaube empfohlen, verhindern Sie, dass sich Schutzhaube und Drahtbürste berühren können. Teller- und Topfbürsten können durch Anpressdruck und Zentrifugalkräfte ihren Durchmesser vergrößern.**

V - Elemente des Elektrowerkzeugs

Bevor Sie die Arbeit mit dem Werkzeug beginnen machen Sie sich mit allen Operationsbesonderheiten und Sicherheitsbedingungen vertraut. Verwenden Sie das Werkzeug und sein Zubehör nur nach seinem Verwendungszweck. Jegliche andere Verwendung ist verboten.

1. Schleifspindel
 - 2.1. Schutzhaube für Trennscheibe
 - 2.2. Schutzhaube für Schruppscheibe *
3. Anschlagflansch
 - 4.1. Trennscheibe (Benutzen Sie immer mit der Schutzhaube für Trennscheibe!) *
 - 4.2. Schruppscheibe (Benutzen Sie immer mit der Schutzhaube für Schruppscheibe!) *
5. Flansch
6. Zusatzgriff
7. Ein-Aus-Schalter
8. Spindelverriegelungsknopf

ZUBEHÖR, WELCHES MIT DIESEM WERKZEUG VERWENDET WERDEN KANN *

9. Metallbürste
10. Schleifscheiben für Schneiden und Schleifen
11. Fächerschleifscheibe
12. Antivibrationshandgriff

* Das von SPARKY angebotene Basiszubehör für diese Maschine finden Sie mit den entsprechenden Katalognummern auf Seiten 96-99. Es ist nicht im Lieferumfang enthalten.

VI - Betriebshinweise

Dieses Elektrowerkzeug wird nur mit einphasiger Wechselspannung versorgt. Man kann es an Kontaktsteckdosen ohne Schutzklemmen anschließen. Es ist nach EN 60745 und IEC 60745-1 doppelt isoliert. Die Funkstörungen entsprechen der EMV-Richtlinie 2004/108/EG zur Elektromagnetischen Verträglichkeit.

Dieses Elektrowerkzeug ist bestimmt zum trockenen Schneiden, Schleifen und Bürsten, vorwiegend von Metallwerkstücken

VOR DEM BEGINN DER ARBEIT

- Das Gerät kann mit fabrikmäßig montierter Schutzhaube sein. Versichern Sie sich vor dem ersten und jedem weiteren Gebrauch, dass die Schutzhaube richtig montiert und zuverlässig fixiert ist.
- Das Gerät kann mit fabrikmäßig montierter Schrupp- oder Trennscheibe sein. Versichern Sie sich vor dem ersten und jedem weiteren Gebrauch, dass die Scheibe richtig montiert und zuverlässig festgezogen ist.
- Überprüfen Sie ob die Spannung des Versorgungsnetzes der auf dem Typenschild mit den technischen Daten des Elektrowerkzeuges angegebenen Spannung entspricht.
- Überprüfen Sie in welcher Stellung der sich Schalter befindet. Das Gerät darf nur mit ausgeschaltet ans Netz angeschlossen und vom Netz getrennt werden. Falls Sie den Netzstecker in die Steckdose stecken wenn das Gerät eingeschaltet ist wird es sofort beginnen anzulaufen was die Voraussetzung für einen schweren Unfall sein kann.
- Überzeugen Sie sich vom ordnungsgemäßen Zustand des Versorgungskabels und des Steckers. Falls das Versorgungskabel beschädigt ist, darf es nur vom Hersteller oder einem autorisierten Servicefachmann ausgetauscht werden um eventuelle Austauschrisiken zu vermeiden.



WARNUNG! Schalten Sie das Elektrowerkzeug vor jeglichen Einstellungs-, Wartungs- und Reparaturarbeiten aus und trennen Sie es vom Netz. Das gleiche gilt bei Stromausfall (Gefahr des unbeabsichtigten Wiederanlaufens).

- Überprüfen Sie ob der Durchmesser und die Dicke der Scheibe die Sie verwenden wollen nicht größer sind als in den technischen Daten für das Gerät angegebenen. Die auf der Scheibe angegebene periphere

Geschwindigkeit darf mindestens 80 m/s betragen. Bewahren Sie die Scheiben entsprechend den Hinweisen ihres Herstellers auf.

- Wenn der Arbeitsplatz von der Stromquelle entfernt ist, benutzen Sie ein so kurz wie mögliches Verlängerungskabel mit geeignetem Querschnitt.
- Überprüfen Sie ob der zusätzliche Handgriff richtig angesetzt und festgezogen ist.

SCHUTZHAUBE



WARNUNG: Die Schutzhaube (2.1) für Trennscheibe oder die Schutzhaube (2.2) für Schruppscheibe (entsprechend für Trennscheibe (4.1) oder für Schruppscheibe (4.2)) muss immer an der Maschine angesetzt sein!

Ihre Stellung ist unterschiedlich und hängt davon ab, auf welcher Seite der Zusatzgriff montiert wird oder ob ein montierter Ständer benutzt wird.

MONTAGE DER SCHUTZHAUBE

Bevor Sie die Schutzhaube montieren muss die Maschine ausgeschaltet und der Netzstecker gezogen sein.

1. Montage der Schutzhaube

- Öffnen Sie den Spannhebel (15) und lösen Sie wenn nötig die Schraube (16). (Abb. 1)
- Setzen Sie die Schutzhaube (2) so an, dass die Feder (14) der Schutzhaube mit dem Schlitz (17) übereinstimmt und drücken Sie diese nach unten, damit sie in den Kanal (18) um den Lagersitz eingehen kann (Abb. 2a, b)
- Ziehen Sie die Schraube (16) so fest an, damit sie die Lockerung zwischen dem Ring der Sicherung und dem Lagersitz so reduzieren können, dass eine Möglichkeit für leichtes Drehen zwischen ihnen besteht.
- Drehen Sie die Schutzhaube in die gewünschte Lage.
- Schließen Sie den Spannhebel (15), damit Sie die Schutzhaube arretieren können.
- Falls es erforderlich ist, wiederholen Sie die Vorgehensweise für die Reduzierung der Lockerung zwischen dem Ring der Schutzhaube und dem Lagersitz.

2. Drehen der Schutzhaube in eine neue Arbeitsposition

- Öffnen Sie den Spannhebel (15).
- Drehen Sie die Schutzhaube in die neue Arbeitsposition.
- Schließen Sie den Spannhebel (15).

ANSETZEN EINER SCHEIBE

Die Spindel (1) des Winkelschleifers wird durch das Drücken der Taste (8) arretiert. Diese Taste befindet sich auf dem Getriebekasten der Maschine.



WARNUNG: Das Drücken der Taste (8) wenn die Spindel bzw. die Maschine läuft ist unzulässig.

- Legen Sie den Anschlagflansch (3) mit den Schlitzen nach unten. (Abb. 3)
- Legen Sie die Scheibe (4) genau auf den Anschlagflansch mit den Aufschriften nach unten. (Abb. 4)
- Legen Sie den Spannflansch (5) mit der flachen Seite zur Scheibe (4) und ziehen Sie ihn per Hand fest. Legen Sie den Zweilochschlüssel in die Öffnungen des Spannflansches (5). (Abb. 5)
- Bei gedrückter Taste zum Arretieren der Spindel (8) ziehen Sie den Spannflansch 5 gut mittels des Zweilochschlüssels fest. (Abb. 6a,b)

Nach dem Ansetzen einer Scheibe lassen Sie die Maschine ungefähr eine Minute mit der neuen Scheibe ohne Belastung laufen. Schwingende oder sich ungleichmäßig drehenden Scheiben müssen sofort ausgetauscht werden.

Die Drahtbürste (9) wird direkt auf der Spindel (1) mit Hilfe eines Schraubenschlüssels festgezogen. (Überprüfen Sie ob das Gewinde der Bürste ausreichend lang ist um das Gewinde der Spindel zu erfassen).

ZUSATZGRIFF

Normalerweise wird der Zusatzgriff (6) von der linken Seite des Gerätes angeschraubt. Dieser kann auch wahlweise von rechts an das Gerät montiert werden.

EIN- UND AUSSCHALTEN

Einschalten: Den Schieber des Schalters (7) im hinteren Teil drücken und nach vorn in die Pfeilrichtung schieben, bis sich sein Vorderteil versenkt und einrastet.

Ausschalten: Den hinteren angehobenen Teil des Schalters (7) drücken und von selbst in die Ursprungstellung gleiten lassen.



WARNUNG: Bei niedrigen Temperaturen oder wenn das Elektrogerät längere Zeit nicht im Gebrauch war, schalten Sie das Elektrogerät ein und lassen es etwa eine Minute im Leerlauf arbeiten, um die ordnungsgemäße Funktionstüchtigkeit festzustellen. Dadurch wird die Schmierung verbessert und die Lebensdauer des Elektrogerätes verlängert.

EMPFEHLUNGEN

Beim Trennen die Trennscheibe nicht drücken und die Maschine nicht seitwärts bewegen (Gefahr der Verankerung). Mit mäßigem, dem zu bearbeitendem Material angepasstem Vorschub arbeiten.

Wichtig ist die Richtung des Trennens. Man muss die Maschine stets in Gegenrichtung gegen zur Drehung der Scheibe (siehe Pfeil auf der Schutzhaube) vorschieben. Andernfalls besteht die Gefahr, dass die Scheibe unkontrolliert aus dem Schnitt schlägt. (Abb. 7)

Beim Schneiden von Profilen und Rohren wird empfohlen, das Schneiden von der kürzesten Seite zu beginnen. Beim Schleifen drücken Sie die Maschine nicht auf die zu bearbeitende Oberfläche, sondern bewegen Sie die Scheibe gleichmäßig vor und zurück. Leichtmetalle werden mit Sonderscheiben bearbeitet. Das beste Ergebnis beim Grobschleifen wird bei einer Neigung von 30°–40° zwischen der Scheibe und der zu bearbeitenden Ober-

fläche erreicht. Beim Grobschleifen ist der Gebrauch von Trennscheiben nicht zugelassen. Der Gebrauch von Scheiben mit einer Stärke von über 6 mm wird nicht empfohlen.

VII - Wartung



WARNUNG: Ziehen Sie den Stecker aus der Steckdose, bevor Sie jede Inspektion oder Wartung vornehmen.

INSTANDSETZUNG DER KOHLEBÜRSTEN

Das elektrische Gerät hat selbstausschaltende Kohlebürsten. Diese verschleifen und müssen deshalb von Zeit zu Zeit von einer autorisierten SPARKY – Vertrags-Kundendienstwerkstatt geprüft bzw. ausgetauscht werden.

INSTANDHALTUNG

Prüfen Sie regelmäßig ob alle Stützelemente fest angezogen sind. Falls eine Klemmschraube gelöst ist, unverzüglich anziehen, um Risiken zu vermeiden.

Wenn die Anschlussleitung beschädigt ist, muss sie von einer autorisierten SPARKY Vertrags-Kundendienstwerkstatt ausgetauscht werden.

REINIGUNG

Pflegen Sie das elektrische Gerät und die Entlüftungsöffnungen mit Sorgfalt. Kontrollieren Sie, ob bewegliche Geräteteile einwandfrei funktionieren und nicht klemmen, ob Teile gebrochen oder so beschädigt sind, dass die Funktion des elektrischen Gerätes beeinträchtigt ist. Verwenden Sie eine weiche Bürste und/oder Pressluft, um Staub zu entfernen. Tragen Sie eine Schutzbrille während der Reinigung. Reinigen Sie den Gerätekörper mit einem weichen, feuchten Tuch und leichtem Spülmittel.



WARNUNG: Die Verwendung von Spiritus, Benzin oder anderen Lösmitteln ist nicht zugelassen. Verwenden Sie keine ätzenden Reinigungsmittel für die Kunststoffteile.



WARNUNG: Das Eindringen von Wasser in das Elektrogerät ist nicht ratsam.

ACHTUNG! Um den sicheren und zuverlässigen Betrieb des Elektrowerkzeuges sicherzustellen, lassen Sie alle Geräteeinstellungen, Reparatur- und Wartungstätigkeiten (einschließlich der Inspektion und Instandsetzung der Kohlebürsten) von einer autorisierten SPARKY Vertrags-Kundendienstwerkstatt durchführen.

VIII - Garantie

Die Garantifrist der SPARKY-Elektrowerkzeuge wird im Garantieschein bestimmt.

Schäden, die auf natürliche Abnutzung, Überlastung oder unsachgemäße Handhabung zurückzuführen sind, bleiben von der Garantie ausgeschlossen.

Schäden, die durch Material- und/oder Herstellerfehler entstanden sind, werden unentgeltlich durch Ersatzlieferung oder Reparatur beseitigt.

Beanstandungen bezüglich eines beschädigten SPARKY-Elektrowerkzeugs können nur anerkannt werden, wenn das Gerät unzerlegt (im ursprünglichen Zustand) dem Lieferanten oder der befugten Kundendienstwerkstatt vorgelegt wird.

Hinweise

Lesen Sie aufmerksam die ganze Betriebsanleitung durch, bevor Sie mit der Arbeit beginnen.

Der Hersteller behält sich das Recht vor, Verbesserungen und Änderungen in seinen Erzeugnissen einzuführen und die Spezifikationen ohne Voranmeldung zu ändern.

Die Spezifikationen können sich in den verschiedenen Ländern unterscheiden.

Table des matières

I	- Introduction	20
II	- Données techniques	22
III	- Avertissements de sécurité généraux pour l'outil	23
IV	- Instructions supplémentaires de sécurité lors du travail avec des meuleuses angulaires	24
V	- Description de l'appareil électrique	A/26
VI	- Instructions pour le travail	27
VII	- Entretien	28
VIII	- Garantie	29

DEBALLAGE

Compte tenu des technologies généralement adoptées pour la production en grande série, il est peu probable que votre instrument électrique soit défectueux ou qu'il lui manque une pièce. Si toutefois vous remarquez que quelque chose ne va pas, n'utilisez pas l'instrument électrique avant le remplacement de la pièce défectueuse ou avant l'élimination du dysfonctionnement. Le non-respect de cette recommandation peut entraîner un grave accident.

MONTAGE

La meuleuse angulaire est fournie emballée et montée à l'exception du dispositif de sécurité et de la poignée auxiliaire.

I - Introduction

Votre nouvel outil a été conçu et produit selon tous les standards de qualité pour répondre aux exigences les plus élevées. Son exploitation est facile et sécurisée. Et avec une utilisation correcte il vous servira longtemps.



AVERTISSEMENT!

Lire attentivement les instructions avant d'utiliser votre nouvel outil. Prêter attention aux sections «**Avertissement**». Votre outil électrique possède des caractéristiques qui facilitent votre travail. Cet instrument a été conçu et produit selon toutes les exigences de sécurité pour que son usage et son entretien soient faciles.



Ne pas jeter les outils électroportatifs avec les ordures ménagères!

Les déchets provenant d'outils électroportatif ne doivent pas être ramassés avec les ordures ménagères. Prière de recycler sur les lieux qui y sont spécialement destinés. Contacter les autorités locales ou un représentant pour des consultations concernant le recyclage.



RESPECT DE L'ENVIRONNEMENT

Récupération des matières premières plutôt qu'élimination des déchets.

En vue à la protection de l'environnement, les appareils, comme d'ailleurs leurs accessoires et emballages, doivent pouvoir suivre chacun une voie de recyclage appropriée. Nos pièces en matières artificielles ont été marquées en vue d'un recyclage sélectif des différents matériaux.

LÉGENDE

L'outil électrique porte une plaque décrivant les signes spéciaux. Ils apportent une information importante quant au produit ou des instructions d'utilisation.



Portez toujours des lunettes de protection.



Double isolation pour une meilleure sécurité.



Filetage de la broche porte-outil: M10



Filetage de la broche porte-outil: M14



Conforme aux directives européennes applicables



En conformité avec les exigences des standards Russes



En conformité avec les exigences des standards ukrainiens



Lisez les instructions d'utilisation

YYYY-Www

Période de production, où les symboles variables sont les suivants:
YYYY - année de production, ww – le numéro de la semaine du calendrier

M

MEULEUSE ANGULAIRE

II - Données techniques

Modèle	M 600	M 650	M 720
▪ Puissance consommée	600 W	650 W	720 W
▪ Vitesse à vide	11000 min ⁻¹	11000 min ⁻¹	11000 min ⁻¹
▪ Filet de fixation de la broche	M10	M14	M14
▪ Longueur du filet de la broche	20 mm	20 mm	20 mm
▪ Diamètre intérieur du disque de meulage	16	22,23	22,23
▪ Diamètre maximal du disque de meulage	100 mm	115 mm	125 mm
▪ Epaisseur maximale du disque de meulage	6 mm	6 mm	6 mm
▪ Poids de l'outil (EPTA procédure 01/2003)	1,2 kg	1,2 kg	1,2 kg
▪ Classe de protection (EN 60745-1) <input type="checkbox"/>	II	II	II

INFORMATION CONCERNANT LE BRUIT ET LES VIBRATIONS

(Valeurs mesurées conformément à EN 60745.)

▪ Emission de bruit			
A-niveau pondéré de pression sonore L _{PA}	94,2 dB(A)	94,2 dB(A)	94,2 dB(A)
Incertitude K _{PA}	3 dB	3 dB	3 dB
A-niveau pondéré de puissance sonore L _{WA}	105,2 dB(A)	105,2 dB(A)	105,2 dB(A)
Incertitude K _{WA}	3 dB	3 dB	3 dB



Utilisez des protecteurs auditifs!

▪ Emission de vibrations *			
<i>Valeur globale des vibrations (somme vectorielle sur les trois axes) selon EN 60745:</i>			
▪ Meulage de surfaces			
Valeur des vibrations émises a _{h,AG}	4,2 m/s ²	4,3 m/s ²	4,5 m/s ²
Incertitude K _{AG}	1,5 m/s ²	1,5 m/s ²	1,5 m/s ²
▪ Meulage à l'aide de toile émeri			
Valeur des vibrations émises a _{h,DS}	3,9 m/s ²	4,0 m/s ²	4,2 m/s ²
Incertitude K _{DS}	1,5 m/s ²	1,5 m/s ²	1,5 m/s ²

* Déterminées conformément au point 6.2.7 EN 60745-1

L'amplitude d'accélération indiquée dans ces instructions d'utilisation a été mesurée suivant les méthodes de mesurage conformément à la norme EN 60745 et peut être utilisée pour une comparaison d'appareils. Le niveau de vibration peut être utilisé pour faire une estimation provisoire du degré d'influence vibratoire.

Le niveau de vibration annoncé concerne la fonction principale de l'outil. Dans des cas où l'outil est destinée à une autre utilisation ou avec d'autres accessoires, ou s'il est mal entretenu, le niveau de vibration peut s'écarter de celui qui a été indiqué. Si c'est le cas, le degré d'influence peut fortement augmenter au cours de l'utilisation.

Pour une estimation précise de l'influence vibratoire pendant un certain temps d'utilisation, il est recommandé de prendre aussi en considération les espaces de temps pendant lesquels l'appareil est éteint ou sous tension, mais pas vraiment utilisé. Ceci peut réduire considérablement l'influence vibratoire pendant toute la durée du travail.

Entretenez l'outil et ses accessoires en bon état. Gardez vos mains chaudes au cours de son utilisation – cela va diminuer les conséquences négatives lorsque vous travaillez à des hauts degrés de vibrations.

Les poussières de matériaux tels que peintures contenant du plomb, certains bois, minéraux ou métaux, peuvent être nuisibles à la santé. Toucher ou aspirer les poussières peut entraîner des réactions allergiques et/ou des maladies respiratoires auprès de l'utilisateur ou de personnes se trouvant à proximité.

Certaines poussières telles que les poussières de chêne ou de hêtre sont considérées cancérigènes, surtout en connexion avec des additifs pour le traitement de bois (chromate, lazure). Les matériaux contenant de l'amiante ne doivent être travaillés que par des personnes qualifiées.

- Si possible, utilisez une aspiration des poussières.
- Afin d'atteindre un haut degré d'aspiration de la poussière, lors du travail avec cet outil électroportatif utilisez un aspirateur spécialement adapté pour l'aspiration de poussière de bois ou pour l'aspiration de poussière de bois et/ou poussière de minéraux.
- Veillez à bien aérer la zone de travail.
- Il est recommandé de porter un masque respiratoire de la classe de filtre P2.

Respectez les règlements en vigueur dans votre pays spécifiques aux matériaux à traiter.

III - Avertissements de sécurité généraux pour l'outil



AVERTISSEMENT! Lire tous les avertissements de sécurité et toutes les instructions. *Ne pas suivre les avertissements et instructions peut donner lieu à un choc électrique, un incendie et/ou une blessure sérieuse.*

Conserver tous les avertissements et toutes les instructions pour pouvoir s'y reporter ultérieurement.

Le terme «outil» dans les avertissements fait référence à votre outil électrique alimenté par le secteur (avec cordon d'alimentation) ou votre outil fonctionnant sur batterie (sans cordon d'alimentation).

1) SÉCURITÉ DE LA ZONE DE TRAVAIL

- Conserv
- Ne pas faire fonctionner les outils électriques en atmosphère explosive, par exemple en présence de liquides inflammables, de gaz ou de poussières.** *Les outils électriques produisent des étincelles qui peuvent enflammer les poussières ou les fumées.*
- Maintenir les enfants et les personnes présentes à l'écart pendant l'utilisation de l'outil. *Les distractions peuvent vous faire perdre le contrôle de l'outil.*

2) SÉCURITÉ ÉLECTRIQUE

- Il faut que les fiches de l'outil électrique soient adaptées au socle. **Ne jamais modifier la fiche de quelque façon que ce soit. Ne pas utiliser d'adaptateurs avec des outils à branchement de terre.** *Des fiches non modifiées et des socles adaptés réduiront le risque de choc électrique.*
- Éviter tout contact du corps avec des surfaces reliées à la terre telles que les tuyaux, les radiateurs, les cuisinières et les réfrigérateurs. *Il existe un risque accru de choc électrique si votre corps est relié à la terre.*
- Ne pas exposer les outils à la pluie ou à des conditions humides.** *La pénétration d'eau à l'intérieur d'un outil augmentera le risque de choc électrique.*
- Ne pas maltraiter le cordon. Ne jamais utiliser le cordon pour porter, tirer ou débrancher l'outil.** Maintenir le cordon à l'écart de la chaleur, du lubrifiant, des arêtes ou des parties en mouvement. *Des cordons endommagés ou emmêlés augmentent le risque de choc électrique.*
- Lorsqu'on utilise un outil à l'extérieur, utiliser un prolongateur adapté à l'utilisation extérieure. *L'utilisation d'un cordon adapté à l'utilisation extérieure réduit le risque de choc électrique.*

- Si l'usage d'un outil dans un emplacement humide est inévitable, utiliser une alimentation protégée par un dispositif à courant différentiel résiduel (RCD). *L'usage d'un RCD réduit le risque de choc électrique.*

3) SÉCURITÉ DES PERSONNES

- Rester vigilant, regarder ce que vous êtes en train de faire et faire preuve de bon sens dans votre utilisation de l'outil. **Ne pas utiliser un outil lorsque vous êtes fatigué ou sous l'emprise de drogues, d'alcool ou de médicaments.** *Un moment d'inattention en cours d'utilisation d'un outil peut entraîner des blessures graves des personnes.*
- Utiliser un équipement de sécurité. **Toujours porter une protection pour les yeux.** *Les équipements de sécurité tels que les masques contre les poussières, les chaussures de sécurité antidérapantes, les casques ou les protections acoustiques utilisés pour les conditions appropriées réduiront les blessures de personnes.*
- Éviter tout démarrage intempestif. **S'assurer que l'interrupteur est en position arrêté avant de brancher l'outil au secteur et/ou au bloc de batteries, de le ramasser ou de le porter.** *Porter les outils en ayant le doigt sur l'interrupteur ou brancher des outils dont l'interrupteur est en position marche est source d'accidents.*
- Retirer toute clé de réglage avant de mettre l'outil en marche. *Une clé laissée fixée sur une partie tournante de l'outil peut donner lieu à des blessures de personnes.*
- Ne pas se précipiter.** Garder une position et un équilibre adaptés à tout moment. *Cela permet un meilleur contrôle de l'outil dans des situations inattendues.*
- S'habiller de manière adaptée. **Ne pas porter de vêtements amples ou de bijoux.** Garder les cheveux, les vêtements et les gants à distance des parties en mouvement. *Des vêtements amples, des bijoux ou les cheveux longs peuvent être pris dans des parties en mouvement.*
- Si des dispositifs sont fournis pour le raccordement d'équipements pour l'extraction et la récupération des poussières, s'assurer qu'ils sont connectés et correctement utilisés. *Utiliser des collecteurs de poussière peut réduire les risques dus aux poussières.*

4) UTILISATION ET ENTRETIEN DE L'OUTIL

- Ne pas forcer l'outil.** Utiliser l'outil adapté à votre application. *L'outil adapté réalisera mieux le travail et de manière plus sûre au régime pour lequel il a été construit.*
- Ne pas utiliser l'outil si l'interrupteur ne permet pas de passer de l'état de marche à arrêté et vice versa.** *Tout outil qui ne peut pas être commandé par l'interrupteur est dangereux et il faut le réparer.*
- Débrancher la fiche de la source d'alimentation en courant et/ou le bloc de batteries de l'outil avant tout réglage, changement d'accessoires ou avant de ranger l'outil. *De telles mesures de*

sécurité préventives réduisent le risque de démarrage accidentel de l'outil.

- d) Conserver les outils à l'arrêt hors de la portée des enfants et ne pas permettre à des personnes ne connaissant pas l'outil ou les présentes instructions de le faire fonctionner. Les outils sont dangereux entre les mains d'utilisateurs novices.
- e) Observer la maintenance de l'outil. Vérifier qu'il n'y a pas de mauvais alignement ou de blocage des parties mobiles, des pièces cassées ou toute autre condition pouvant affecter le fonctionnement de l'outil. En cas de dommages, faire réparer l'outil avant de l'utiliser. De nombreux accidents sont dus à des outils mal entretenus.
- f) Garder affûtés et propres les outils permettant de couper. Des outils destinés à couper correctement entretenus avec des pièces coupantes tranchantes sont moins susceptibles de bloquer et sont plus faciles à contrôler.
- g) Utiliser l'outil, les accessoires et les lames etc., conformément à ces instructions, en tenant compte des conditions de travail et du travail à réaliser. L'utilisation de l'outil pour des opérations différentes de celles prévues pourrait donner lieu à des situations dangereuses.

5) MAINTENANCE ET ENTRETIEN

- a) Faire entretenir l'outil par un réparateur qualifié utilisé uniquement des pièces de rechange identiques. Cela assurera que la sécurité de l'outil est maintenue.

IV - Instructions supplémentaires de sécurité lors du travail avec des meuleuses angulaires

Avertissements de sécurité communs pour les opérations de meulage, de brossage métallique ou de tronçonnage par meule abrasive:

- a) Cet outil électrique est destiné à fonctionner comme meuleuse, ponceuse, brosse métallique, lustreuse ou outil à tronçonner. Lire toutes les mises en garde de sécurité, les instructions, les illustrations et les spécifications fournies avec cet outil électrique. Le fait de ne pas suivre toutes les instructions données ci-dessous peut provoquer un choc électrique, un incendie et/ou une blessure grave.
- b) Les opérations de polissage ne sont pas recommandées avec cet outil électrique. Les opérations pour lesquelles l'outil électrique n'a pas été conçu peuvent provoquer un danger et causer un accident corporel.
- c) Ne pas utiliser d'accessoires non conçus spécifiquement et recommandés par le fabricant

d'outils. Le simple fait que l'accessoire puisse être fixé à votre outil électrique ne garantit pas un fonctionnement en toute sécurité.

- d) La vitesse assignée de l'accessoire doit être au moins égale à la vitesse maximale indiquée sur l'outil électrique. Les accessoires fonctionnant plus vite que leur vitesse assignée peuvent se rompre et voler en éclat.
- e) Le diamètre extérieur et l'épaisseur de votre accessoire doivent se situer dans le cadre des caractéristiques de capacité de votre outil électrique. Les accessoires dimensionnés de façon incorrecte ne peuvent pas être protégés ou commandés de manière appropriée.
- f) La taille de mandrin des meules, flasques, patins d'appui ou tout autre accessoire doit s'adapter correctement à l'arbre de l'outil électrique. Les accessoires avec alésages centraux ne correspondant pas aux éléments de montage de l'outil électrique seront en déséquilibre, vibreront excessivement, et pourront provoquer une perte de contrôle.
- g) Ne pas utiliser d'accessoire endommagé. Avant chaque utilisation examiner les accessoires comme les meules abrasives pour détecter la présence éventuelle de copeaux et fissures, les patins d'appui pour détecter des traces éventuelles de fissures, de déchirure ou d'usure excessive, ainsi que les brosses métalliques pour détecter des fils desserrés ou fissurés. Si l'outil électrique ou l'accessoire a subi une chute, examiner les dommages éventuels ou installer un accessoire non endommagé. Après examen et installation d'un accessoire, placez-vous ainsi que les personnes présentes à distance du plan de l'accessoire rotatif et faire marcher l'outil électrique à vitesse maximale à vide pendant 1 min. Les accessoires endommagés seront normalement détruits pendant cette période d'essai.
- h) Porter un équipement de protection individuelle. En fonction de l'application, utiliser un écran facial, des lunettes de sécurité ou des verres de sécurité. Le cas échéant, utiliser un masque antipoussières, des protections auditives, des gants et un tablier capables d'arrêter les petits fragments abrasifs ou des pièces à usiner. La protection oculaire doit être capable d'arrêter les débris volants produits par les diverses opérations. Le masque antipoussières ou le respirateur doit être capable de filtrer les particules produites par vos travaux. L'exposition prolongée aux bruits de forte intensité peut provoquer une perte de l'audition.
- i) Maintenir les personnes présentes à une distance de sécurité par rapport à la zone de travail. Toute personne entrant dans la zone de travail doit porter un équipement de protection individuelle. Des fragments de pièce à usiner ou d'un accessoire cassé peuvent être projetés et provoquer des blessures en dehors de la zone immédiate d'opération.
- j) Tenir l'outil uniquement par les surfaces de préhension isolantes, pendant les opérations

au cours desquelles l'accessoire coupant peut être en contact avec des conducteurs cachés ou avec son propre câble. Le contact de l'accessoire coupant avec un fil „sous tension” peut également mettre „sous tension” les parties métalliques exposées de l'outil électrique et provoquer un choc électrique sur l'opérateur.

- k) **Placer le câble éloigné de l'accessoire de rotation.** Si vous perdez le contrôle, le câble peut être coupé ou subir un accroch et votre main ou votre bras peut être tiré dans l'accessoire de rotation.
- l) **Ne jamais reposer l'outil électrique avant que l'accessoire n'ait atteint un arrêt complet.** L'accessoire de rotation peut agripper la surface et arracher l'outil électrique hors de votre contrôle.
- m) **Ne pas faire fonctionner l'outil électrique en le portant sur le côté.** Un contact accidentel avec l'accessoire de rotation pourrait accrocher vos vêtements et attirer l'accessoire sur vous.
- n) **Nettoyer régulièrement les orifices d'aération de l'outil électrique.** Le ventilateur du moteur attirera la poussière à l'intérieur du boîtier et une accumulation excessive de poudre de métal peut provoquer des dangers électriques.
- o) **Ne pas faire fonctionner l'outil électrique à proximité de matériaux inflammables.** Des étincelles pourraient enflammer ces matériaux.
- p) **Ne pas utiliser d'accessoires qui nécessitent des réfrigérants fluides.** L'utilisation d'eau ou d'autres réfrigérants fluides peut aboutir à une électrocution ou un choc électrique.
 - L'appareil doit être utilisé uniquement pour les travaux pour lesquels il a été prévu. Toute autre utilisation, différente que celle décrite dans la présente instruction, doit être considérée comme abusive. Le producteur décline toute responsabilité en cas de dommage ou de blessure causée par une utilisation abusive, cette responsabilité étant alors entièrement assumée par l'utilisateur.
 - Le producteur décline toute responsabilité en cas de modifications apportées à l'appareil électrique ou de dommages provoqués par ces modifications.
 - Lors du travail dans un milieu poussiéreux, les orifices de ventilation de la machine doivent être gardés propres. S'ils ont besoin d'être nettoyés de la poussière, commencez par couper le courant, puis utilisez pour le nettoyage des outils non métalliques en veillant à ne pas endommager les pièces intérieures de la machine. L'appareil électrique risque de se surchauffer en cas de refroidissement insuffisant dû à l'obstruction des orifices de ventilation.

Autres instructions de sécurité pour toutes les opérations

Rebonds et mises en garde correspondantes

Le rebond est une réaction soudaine au pincement ou à l'accrochage d'une meule rotative, d'un patin d'appui, d'une brosse ou de tout autre accessoire. Le pincement ou l'accrochage provoque un blocage rapide de l'accessoire en rotation qui, à son tour, contraint l'outil électrique hors de contrôle dans le sens opposé de rotation de

l'accessoire au point de grippage.

Par exemple, si une meule abrasive est accrochée ou pincée par la pièce à usiner, le bord de la meule qui entre dans le point de pincement peut creuser la surface du matériau, provoquant des sauts ou l'expulsion de la meule. La meule peut sauter en direction de l'opérateur ou encore en s'en éloignant, selon le sens du mouvement de la meule au point de pincement. Les meules abrasives peuvent également se rompre dans ces conditions.

Le rebond résulte d'un mauvais usage de l'outil et/ou de procédures ou de conditions de fonctionnement incorrectes et peut être évité en prenant les précautions appropriées spécifiées ci-dessous.

- a) **Maintenir fermement l'outil électrique et placer votre corps et vos bras pour vous permettre de résister aux forces de rebond.** Toujours utiliser une poignée auxiliaire, le cas échéant, pour une maîtrise maximale du rebond ou de la réaction de couple au cours du démarrage. L'opérateur peut maîtriser les couples de réaction ou les forces de rebond, si les précautions qui s'imposent sont prises.
- b) **Ne jamais placer votre main à proximité de l'accessoire en rotation.** L'accessoire peut effectuer un rebond sur votre main.
- c) **Ne pas vous placer dans la zone où l'outil électrique se déplacera en cas de rebond.** Le rebond pousse l'outil dans le sens opposé au mouvement de la meule au point d'accrochage.
- d) **Apporter un soin particulier lors de travaux dans les coins, les arêtes vives etc.** Éviter les rebondissements et les accrochages de l'accessoire. Les coins, les arêtes vives ou les rebondissements ont tendance à accrocher l'accessoire en rotation et à provoquer une perte de contrôle ou un rebond.
- e) **Ne pas fixer de chaîne coupante, de lame de sculpture sur bois, de chaîne coupante ni de lame de scie dentée.** De telles lames provoquent des rebonds fréquents et des pertes de contrôle.
 - Maintenir la pièce à travailler à l'aide d'un dispositif de fixation approprié.

Mises en garde de sécurité spécifiques aux opérations de meulage et de tronçonnage abrasif:

- a) Utiliser uniquement des types de meules recommandés pour votre outil électrique et le protecteur spécifique conçu pour la meule choisie. Les meules pour lesquelles l'outil électrique n'a pas été conçu ne peuvent pas être protégées de façon satisfaisante et sont dangereuses.
- b) **Le protecteur doit être solidement fixé à l'outil électrique et placé en vue d'une sécurité maximale, de sorte que l'opérateur soit exposé le moins possible à la meule.** Le protecteur protège l'opérateur contre des fragments volant d'une meule qui se brise, contre un contact accidentel avec la meule et contre des étincelles qui risquent d'enflammer ses vêtements.
- c) **Les meules doivent être utilisées uniquement pour les applications recommandées.** Par exemple: ne pas meuler avec le côté de la meule à tronçonner. Les meules à tronçonner

abrasives sont destinées au meulage périphérique, l'application de forces latérales à ces meules peut les briser en éclats.

- d) **Toujours utiliser des flasques de meule non endommagés qui sont de taille et de forme correctes pour la meule que vous avez choisie. Des flasques de meule appropriés supportent la meule réduisant ainsi la possibilité de rupture de la meule. Les flasques pour les meules à tronçonner peuvent être différents des autres flasques de meule.**
- e) **Ne pas utiliser de meules usées d'outils électriques plus grands. La meule destinée à un outil électrique plus grand n'est pas appropriée pour la vitesse plus élevée d'un outil plus petit et elle peut éclater.**
 - **Respectez toujours le sens de rotation du disque. La force de rappel agit en sens inverse à celui de la rotation à l'endroit du meulage ou du coupage et crée des conditions pouvant conduire à la perte du contrôle sur l'instrument électrique.**
 - **Tenez toujours la machine de façon à ce que les étincelles et la poussière du meulage se dispersent sans entrer en contact avec votre corps. Les appareils électriques émettent des étincelles qui peuvent brûler vos vêtements ou les parties non protégées de votre corps.**
 - **Il est interdit de meuler et couper des structures en métal fraîchement peintes avant que la peinture n'ait séché. Il existe un danger d'inflammation de la peinture qui n'est par complètement sèche.**
 - **Il est interdit de couper des matériaux inflammables (bois, matière plastique, etc.), de même que des plaques stratifiées à l'intérieur desquelles il y a une matière inflammable. Il existe un danger d'incendie.**
 - **Il est interdit de meuler et couper des dispositifs qui fonctionnent sous pression. Il existe un danger d'explosion.**
 - **Il est interdit de meuler et couper des réservoirs, des tuyauteries, des appareils, etc., qui ont contenu des matières inflammables prenant facilement le feu sans avoir pris au préalable des mesures spéciales visant à éliminer le danger d'incendie et d'explosion. Il existe un danger d'incendie ou d'explosion.**

Mises en garde de sécurité additionnelles spécifiques aux opérations de tronçonnage abrasif:

- a) **Ne pas «coincer» la meule à tronçonner ou ne pas appliquer une pression excessive. Ne pas tenter d'exécuter une profondeur de coupe excessive. Une contrainte excessive de la meule augmente la charge et la probabilité de torsion ou de blocage de la meule dans la coupe et la possibilité de rebond ou de rupture de la meule.**
- b) **Ne pas vous placer dans l'alignement de la meule en rotation ni derrière celle-ci. Lorsque la meule, au point de fonctionnement, s'éloigne de votre corps, le rebond éventuel peut propulser la meule en rotation et l'outil électrique directement sur vous.**
- c) **Lorsque la meule se bloque ou lorsque la coupe est interrompue pour une raison quel-**

conque, mettre l'outil électrique hors tension et tenir l'outil électrique immobile jusqu'à ce que la meule soit à l'arrêt complet. Ne jamais tenter d'enlever la meule à tronçonner de la coupe tandis que la meule est en mouvement sinon le rebond peut se produire. Rechercher et prendre des mesures correctives afin d'empêcher que la meule ne se grippe.

- d) **Ne pas reprendre l'opération de coupe dans la pièce à usiner. Laisser la meule atteindre sa pleine vitesse et rentrer avec précaution dans le tronçon. La meule peut se coincer, venir chevaucher la pièce à usiner ou effectuer un rebond si l'on fait redémarrer l'outil électrique dans la pièce à usiner.**
- e) **Prévoir un support de panneaux ou de toute pièce à usiner surdimensionnée pour réduire le risque de pincement et de rebond de la meule. Les grandes pièces à usiner ont tendance à fléchir sous leur propre poids. Les supports doivent être placés sous la pièce à usiner près de la ligne de coupe et près du bord de la pièce des deux côtés de la meule.**
- f) **Soyez particulièrement prudent lorsque vous faites une «coupe en retrait» dans des parois existantes ou dans d'autres zones sans visibilité. La meule saillante peut couper des tuyaux de gaz ou d'eau, des câblages électriques ou des objets, ce qui peut entraîner des rebonds.**

Mises en garde de sécurité spécifiques aux opérations de brossage métallique :

- a) **Garder à l'esprit que des brins métalliques sont rejetés par la brosse même au cours d'une opération ordinaire. Ne pas soumettre à une trop grande contrainte les fils métalliques en appliquant une charge excessive à la brosse. Les brins métalliques peuvent aisément pénétrer dans des vêtements légers et/ou la peau.**
- b) **Si l'utilisation d'un protecteur est recommandée pour le brossage métallique, ne permettre aucune gêne du touret ou de la brosse métallique au protecteur. Le touret ou la brosse métallique peut se dilater en diamètre en raison de la charge de travail et des forces centrifuges.**

V - Description de l'outil électroportatif

Avant de commencer le travail avec l'outil électroportatif, prenez connaissance des particularités de son fonctionnement et des conditions de sécurité à respecter.

L'outil et ses accessoires doivent être utilisés uniquement pour les travaux pour lesquels ils ont été prévus. Toute autre utilisation est strictement interdite.

1. Arbre porte-meule
 - 2.1. Protection du disque de meulage
 - 2.2. Protection du disque de découpage *
3. Bride de butée
 - 4.1. Disque pour le meulage (À utiliser uniquement avec la protection du disque de meulage!)*
 - 4.2. Disque de découpage (À utiliser uniquement avec la protection du disque de découpage!)*

5. Bride de serrage
6. Poignée latérale
7. Interrupteur marche/arrêt
8. Bouton de blocage de la broche

ACCESSOIRES POUVANT ETRE UTILISES AVEC CET OUTIL ELECTROPORTATIF *

9. Brosse métallique
10. Disques à ébarber et à tronçonner
11. Plateau à lamelles
12. Poignée anti-vibrations

* Les accessoires principaux pouvant être utilisés avec cette machine, et proposés par SPARKY, sont indiqués sur la page 96-99 avec leurs références. Ces accessoires ne sont pas inclus dans le kit.

VI - Instructions pour le travail

Ces outils électroportatifs sont alimentés uniquement par un courant alternatif monophasé. Ils possèdent un double isolation, conformément à EN 60745 et IEC 60745-1 et peuvent être branchés à des prises qui ne possèdent pas de bornes de protection. Pour ce qui est des interférences radio, il est conforme aux la directive sur la compatibilité électromagnétique 2004/108/CE. Cet outil électroportatif est destiné à couper, meuler et brosser principalement des métaux sans l'utilisation d'eau.

AVANT LE DEBUT DU TRAVAIL

- La machine peut posséder une protection montée en usine. Assurez-vous que la protection est montée correctement et qu'elle est fixée de manière fiable avant la première utilisation et toutes les utilisations suivantes.
- La machine peut posséder un disque monté en usine. Assurez-vous que le disque est monté correctement et qu'il est serré de manière fiable avant la première utilisation et toutes les utilisations suivantes.
- Assurez-vous que la tension du secteur correspond à celle indiquée sur la plaquette contenant les données techniques sur l'instrument.
- Vérifiez la position de l'interrupteur. L'appareil doit être toujours branché et débranché du secteur son interrupteur étant en position OFF. Si vous branchez l'appareil au secteur son interrupteur étant en position de marche, l'appareil se mettra immédiatement à fonctionner, ce qui crée un danger d'accident.
- Assurez-vous que le câble électrique et sa fiche sont en parfait état. Si le câble d'alimentation est endommagé, il doit être remplacé par le producteur ou un spécialiste agréé par celui-ci afin d'éviter les éventuels risques liés à son remplacement.



AVERTISSEMENT: Arrêtez toujours l'appareil électrique et débranchez-le du réseau avant d'effectuer sur celui-ci tout réglage et opération de service ou d'entretien ou lors d'une baisse de la tension dans le réseau d'alimentation.

- Assurez-vous que le diamètre et l'épaisseur du disque ne dépassent pas les dimensions mentionnées dans les données techniques. La vitesse périphérique autorisée, indiquée sur le disque, ne doit pas être inférieure à 80 m/s. Les disques doivent être conservés en conformité avec les instructions de leur producteur.
- Si la zone de travail est éloignée de la prise de courant, utilisez une rallonge aussi courte que possible, à section du câble appropriée.
- Vérifiez si la poignée auxiliaire est correctement montée et bien serrée.

CAPOT DE PROTECTION DE LA MEULE



AVERTISSEMENT: La protection (2.1) du disque de meulage ou la protection (2.2) du disque de découpage (destinées, respectivement, au disque de meulage (4.1) ou au disque de découpage (4.2)) doit toujours être installée sur la machine!

La poignée latérale sera fixée à gauche ou à droite de la machine, en fonction du confort de l'utilisateur.

INSTRUCTIONS POUR LE MONTAGE D'UNE PROTECTION

Avant d'exécuter les opérations suivantes, la fiche du câble d'alimentation de la machine doit être débranchée du secteur.

1. Montage de la protection

- Ouvrez le levier de serrage (15) et éventuellement desserrez la vis (16). (Fig. 1)
- Placez la protection (2) de façon à ce que les clavettes (14) de la protection coïncident avec les cannelures (17) et enfoncez-la vers le bas, afin qu'elle pénètre dans le canal (18) entourant le logement du roulement. (Fig. 2a,b)
- Serrez la vis (16) pour éliminer le jeu existant entre l'anneau de la protection et le logement du roulement l'un par rapport à l'autre.
- Faites tourner la protection pour la placer dans la situation désirée.
- Fermez le levier de serrage (15) pour fixer la protection.
- Si nécessaire, répétez l'opération d'élimination du jeu entre l'anneau de la protection et le logement du roulement.

2. Rotation de la protection pour qu'elle occupe une nouvelle position de travail.

- Ouvrez le levier de serrage (15).
- Faites tourner la protection pour qu'elle occupe sa nouvelle position de travail.
- Fermez le levier de serrage (15).

MONTAGE D'UN DISQUE

La broche (1) de la meuleuse est fixée par pression sur le bouton (8) situé sur le boîtier du réducteur de la machine.



AVERTISSEMENT: Il est interdit de presser sur le bouton (8) tant que la broche est en rotation.

- Placez la bride de butée (3) les cannelures vers le bas (Fig. 3)
- Placez le disque (4) exactement sur la bride de butée, les inscriptions vers le bas (Fig. 4)
- Placez la bride de serrage (5) sa face plate contre le disque (4) et serrez-le à la main. Placez la clé à écrou dans les orifices de la bride de serrage (5). (Fig. 5)
- Le bouton de fixation de la broche (8) étant pressé, serrez bien la bride de serrage (5) à l'aide de la clé à écrou (Fig. 6a,b).

Après le montage du disque, laissez la machine tourner à vide avec le nouveau disque durant à peu près une minute. Les disques qui vibrent ou dont la rotation est irrégulière doivent être immédiatement remplacés.

La brosse en fils de métal (9) est vissée directement sur la broche (1) à l'aide d'une clé à écrou. (Assurez-vous que la longueur du filetage de la brosse est suffisante pour couvrir le filetage de la broche).

POIGNEE LATERALE

Avant toute utilisation de la machine, l'utilisateur fixera la poignée latérale à gauche ou à droite, en fonction de son propre confort et de ses habitudes de travail.

MARCHE - ARRET

Démarrage: Le glisseur de l'interrupteur (7) est pressé dans sa partie arrière, puis il est poussé en avant suivant la direction de la flèche jusqu'à l'enfoncement et le blocage de sa partie frontale.

Arrêt: Appuyer sur l'extrémité arrière de l'interrupteur (7) et le relâcher; il retrouve automatiquement sa position initiale.



AVERTISSEMENT: Lors d'un travail en cas de températures basses ou lorsque l'outil électrique n'a pas fonctionné pendant une période assez prolongée, brancher celui-ci et le laisser fonctionner à vide pendant une minute afin de stabiliser son régime normal de travail. C'est ainsi que le graissage est amélioré et que la durée d'exploitation de l'outil électrique est prolongée.

RECOMMANDATIONS

Lors du travail avec un disque à tronçonner, n'exercez pas de pression et ne déplacez pas le disque en dehors de la ligne de coupe. Maintenez un avancement modéré convenant au matériel traité.

Il est important de respecter la direction de coupe. L'avancement de la machine doit être en sens contraire au sens de rotation du disque. Autrement, on risque de provoquer un mouvement incontrôlable du disque hors de la fente. (Fig.7)

Lors de la coupe de profils et de tubes à section rectangulaire, il est recommandé d'aborder cette coupe du côté le plus petit.

Lors du meulage, ne pressez pas fortement la machine sur la surface traitée, mais opérez par mouvements pro-

gressifs de va-et-vient. Les métaux légers sont traités à l'aide de disques spéciaux. Lors des gros travaux de meulage, les meilleurs résultats sont obtenus à un angle de travail de 30° à 40° entre la meule et la surface traitée. Pour les gros travaux de meulage, il est interdit d'utiliser des disques à tronçonner. L'utilisation de meules d'une épaisseur de plus de 6 mm est déconseillée.

VII - Entretien



AVERTISSEMENT: Arrêtez toujours l'appareil et débranchez-le du réseau avant d'effectuer sur celui-ci toute vérification et toute opération d'entretien.

REMPACEMENT DES BALAIS

L'appareil est doté de balais qui se déconnectent automatiquement. Lorsque les balais sont usés, il faut les remplacer les deux à la fois par des balais d'origine de SPARKY pour l'entretien de l'appareil dans le cadre de la garantie et en dehors de celle-ci.

EXAMEN GENERAL

Vérifiez régulièrement tous les éléments de fixation pour vous assurer qu'ils sont solidement serrés. Si quelque vis s'est desserrée, resserrez-la immédiatement afin d'éviter tout risque.

Si le câble d'alimentation est endommagé, il doit être remplacé par le producteur ou un spécialiste agréé par celui-ci afin d'éviter les éventuels risques liés à son remplacement.

NETTOYAGE

Pour assurer un fonctionnement sécurisé, entretenez toujours l'appareil et ses orifices de ventilation propres. Vérifiez régulièrement si dans les orifices de ventilation du moteur électrique ou autour des commutateurs il n'y a pas de poussière ni de corps étrangers. Utilisez une brosse douce et/ou un jet d'air comprimé pour éliminer la poussière accumulée à ces endroits. Afin de protéger vos yeux, lors des opérations de nettoyage, portez des lunettes de protection.

Si le boîtier de l'appareil a besoin d'être nettoyé, essuyez-le à l'aide d'un chiffon doux humide. Vous pouvez utiliser un produit de nettoyage peu agressif.



AVERTISSEMENT: Il est interdit d'utiliser de l'alcool, de l'essence ou d'autres solvants. N'utilisez jamais des produits agressifs pour le nettoyage des pièces en matière plastique.



AVERTISSEMENT: Ne pas permettre à de l'eau d'entrer en contact avec l'appareil.

AVIS IMPORTANT! Afin d'assurer la sécurité du travail avec l'appareil et le fonctionnement fiable de celui-ci, toutes les opérations de réparation, d'entretien et de réglage (y compris la vérification de l'état des balais et leur remplacement) doivent être effectuées dans les centres d'entretien agréés de SPARKY avec l'utilisation exclusive de pièces d'origine.

VIII - Garantie

La période de garantie des outils électroportatifs SPARKY est définie dans le contrat de garantie.

La garantie ne couvre pas les pannes apparues suite à l'usure naturelle, une surcharge ou une mauvaise exploitation.

Les pannes survenues pour cause de matériaux défectifs et/ou d'erreurs de fabrication seront réparées gratuitement ou le produit sera échangé.

Les réclamations pour un instrument SPARKY défectueux seront honorées si la machine est retournée au livreur ou est présentée à un service après-vente agréé assemblé et dans son état original (assemblée).

Note

Lisez attentivement toute cette instruction d'utilisation avant de commencer à vous servir de l'outil.

Le fabricant ne se défait pas du droit d'introduire des améliorations et des changements dans ses produits ainsi que de changer les spécifications sans avis préalable.

Les spécifications peuvent différer selon les pays.

Indice

I - Introduzione	30
II - Caratteristiche tecniche	32
III - Avvertenze generali di pericolo per elettrodomestici	33
IV - Ulteriori norme di sicurezza per smerigliatrici angolari	34
V - Elementi della macchina	A/36
VI - Uso della macchina	36
VII - Manutenzione	38
VIII - Garanzia	38

PRIMA DELL'USO

Prima dell'uso verificare la presenza di tutti i componenti e degli accessori elencati. In caso di mancanze o apparenti difetti rivolgersi al rivenditore specializzato. L'inosservanza di tale raccomandazione potrebbe provocare gravi incidenti.

ASSEMBLAGGIO

La smerigliatrice è fornita completamente montata ad eccezione della cuffia di protezione e dell'impugnatura supplementare.

I - Introduzione

Questo utensile SPARKY supererà le Vostre aspettative. La produzione secondo i rigorosi standard di qualità SPARKY assicura un'ottima prestazione. Se utilizzato correttamente, l'utensile risulterà maneggevole e sicuro, e garantirà un uso duraturo.



AVVERTENZA:

Leggere attentamente tutte le istruzioni prima dell'utilizzo dell'utensile. Leggere con cura soprattutto le parti introdotte da "Attenzione!". Questo utensile SPARKY presenta numerose caratteristiche che faciliteranno il Suo lavoro. Sicurezza, qualità ed affidabilità sono punti chiave nello sviluppo di questo utensile, e lo rendono semplice nell'uso e nella manutenzione.



Non smaltire elettrodomestici insieme a rifiuti domestici!

Residui di prodotti elettrici devono essere smaltiti separatamente dai rifiuti domestici e sottoposti ad un riciclaggio ecologico. Si prega di informarsi presso le autorità locali o i rivenditori specializzati circa il più vicino luogo di raccolta.



RISPETTO DELL'AMBIENTE

Macchina, accessori ed imballaggio devono essere destinati ad una riutilizzazione ecologica per il recupero di materie prime.

I componenti in plastica sono contrassegnati per relativo riciclaggio.

SIMBOLI

L'etichetta che si trova sulla macchina contiene alcuni simboli. Questi forniscono importanti informazioni sull'utensile o istruzioni sull'uso dello stesso.



Indossare sempre occhiali da lavoro.



Doppio isolamento per ulteriore sicurezza.



Attacco M10



Attacco M14



Corrisponde alle direttive europee applicabili



Conforme alle esigenze dei documenti normativi russi



Conforme alle esigenze dei documenti normativi ucraini



Prendere conoscenza delle istruzioni per l'uso

YYYY-Www

Periodo di produzione, ove i simboli variabili sono:

YYYY – l'anno di produzione, **ww** – la settimana di calendario consecutiva

M

SMERIGLIATRICE ANGOLARE

II - Caratteristiche tecniche

Modello	M 600	M 650	M 720
▪ Potenza assorbita	600 W	650 W	720 W
▪ Giri a vuoto	11000 min ⁻¹	11000 min ⁻¹	11000 min ⁻¹
▪ Attacco filettato	M10	M14	M14
▪ Lunghezza attacco filettato	20 mm	20 mm	20 mm
▪ Diametro del foro	16	22,23	22,23
▪ Diametro max del disco abrasivo	100 mm	115 mm	125 mm
▪ Spessore max del disco abrasivo	6 mm	6 mm	6 mm
▪ Peso (secondo normativa EPTA 01/2003)	1,2 kg	1,2 kg	1,2 kg
▪ Classe di protezione (EN 60745-1)	II	II	II
INFORMAZIONI SUL RUMORE E SULLE VIBRAZIONI (I valori sono stati misurati secondo la norma EN 60745.)			
Valori di emissione acustica			
A- livello di pressione sonora ponderata L_{PA}	94,2 dB(A)	94,2 dB(A)	94,2 dB(A)
Indeterminazione K_{PA}	3 dB	3 dB	3 dB
A- livello di potenza sonora ponderata L_{WA}	105,2 dB(A)	105,2 dB(A)	105,2 dB(A)
Indeterminazione K_{WA}	3 dB	3 dB	3 dB



Usare mezzi per protezione dal rumore!

▪ Livello di vibrazione *			
<i>Valori di vibrazione totale (somma dei vettori dei tre assi) determinati secondo la normativa EN 60745</i>			
▪ Smerigliatura di superfici			
Valore di emissione oscillazioni $a_{h,AG}$	4,2 m/s ²	4,3 m/s ²	4,5 m/s ²
Incertezza K_{AG}	1,5 m/s ²	1,5 m/s ²	1,5 m/s ²
▪ Smerigliatura con carta abrasiva			
Valore di emissione oscillazioni $a_{h,DS}$	3,9 m/s ²	4,0 m/s ²	4,2 m/s ²
Incertezza K_{DS}	1,5 m/s ²	1,5 m/s ²	1,5 m/s ²

* Valori di vibrazione determinati secondo la normativa EN 60745-1 (paragrafo 6.2.7).

Il livello di vibrazione sopra indicato è stato definito seguendo il metodo di misurazione riportato nella normativa EN 60745 e può essere utilizzato per confrontare tra di loro diversi elettrotensili. Inoltre è adatto per effettuare una stima provvisoria del livello di esposizione.

Il livello di vibrazione si riferisce alle modalità d'uso principali dell'utensile. Tuttavia, se utilizzato per scopi diversi da quelli previsti, con punte poco stabili o senza adeguata manutenzione, il livello di vibrazione può variare. Ciò può aumentare sensibilmente il livello di esposizione durante il lavoro.

Per una precisa definizione del livello di esposizione dovrebbe essere preso in considerazione anche l'arco di tempo in cui l'utensile è spento o funzionante ma non in uso. Ciò può ridurre sostanzialmente il livello di esposizione durante il lavoro.

Utilizzare l'utensile e gli accessori con cura, e maneggiarlo mantenendo le mani calde così da ridurre gli effetti dannosi dell'elevato livello di vibrazioni.

Polvere derivante da materiali come vernici contenenti particelle di piombo, alcuni tipi di legno, minerali e metallo potrebbe essere nociva. Il contatto o l'inalazione di tali polveri potrebbe causare reazioni allergiche e/o problemi al sistema respiratorio dell'utente o di terzi.

Talune tipologie di polveri, come ad esempio quella derivante da legno di quercia o faggio, soprattutto se trattati con additivi e conservanti, sono classificate come cancerogene. Si consiglia di fare trattare materiali contenenti asbesto solo a persone esperte.

- Se possibile collegare sempre la macchina ad un dispositivo di aspirazione.
- Tenere l'area di lavoro ben pulita e ventilata.
- Si consiglia l'uso di una mascherina o filtro di classe P2.

Osservare le direttive nazionali relative al materiale da lavorare.

III - Avvertenze di sicurezza



ATTENZIONE! Leggere tutte le istruzioni d'uso e le avvertenze di sicurezza. L'inosservanza delle istruzioni seguenti può causare folgorazioni, incendi e/o gravi danni a persone.

Conservare con cura queste istruzioni.

Il termine "utensile" in tutte le avvertenze successive si riferisce sia agli utensili collegati alla rete elettrica (con cavo di alimentazione) che agli utensili a batteria (senza cavo).

1. AREA DI LAVORO

- Mantenere l'area di lavoro pulita e ben illuminata. Le zone buie ed ingombre di oggetti favoriscono incidenti.
- Non utilizzare l'utensile in presenza di liquidi infiammabili, gas o polvere. Le scintille generate potrebbero infiammare polvere e/o vapore.
- Tenere a distanza bambini e terzi durante il funzionamento. Per una distrazione potreste perdere il controllo dell'utensile.

2. SICUREZZA ELETTRICA

- La spina dell'utensile deve essere adatta alla presa utilizzata. Non modificare la spina in alcun modo. Non utilizzare adattatori con gli utensili collegati a terra. L'impiego di una spina integra ed una presa adatta riduce i rischi di folgorazione.
- Evitare di toccare con il corpo le superfici collegate a terra quali tubi, radiatori, forni e frigoriferi. Il rischio di folgorazione aumenta se il corpo è collegato a terra.
- Non esporre l'utensile alla pioggia e all'umidità. La penetrazione d'acqua nell'utensile aumenta il rischio di folgorazione.
- Non utilizzare il cavo per scopi diversi da quello previsto. Non utilizzare il cavo per trasportare o tirare l'utensile, oppure per staccare la spina dalla presa. Tenere il cavo lontano da fonti di calore, olio, parti appuntite o in movimento. Cavi danneggiati o attorcigliati aumentano il rischio di folgorazione.
- Se l'utensile viene utilizzato all'aperto, usare una prolunga adatta all'uso esterno. L'impiego di una prolunga da esterno riduce il rischio di folgorazione.
- Se il lavoro in un ambiente umido è strettamente necessario, utilizzare una presa protetta da dispositivo a corrente residua. Ciò riduce i rischi di scosse.

3. SICUREZZA PERSONALE

- L'uso di elettrostrumenti richiede attenzione e buon senso. Non utilizzare gli utensili se si è stanchi o sotto l'effetto di droghe, alcol o medicinali. Una breve disattenzione può provocare gravi danni alle persone.
- Munirsi di indumenti e dispositivi di protezione. Indossare sempre occhiali da lavoro. L'uso

di dispositivi di protezione tra cui mascherina anti-polvere, scarpe antiscivolo, casco e protezioni per l'udito riduce il rischio di danni a persone.

- Evitare l'accensione accidentale. Accertarsi che l'interruttore sia in posizione "OFF" prima di inserire la spina. Se si trasportano gli utensili con il dito sull'interruttore o si inserisce la spina nella presa con l'interruttore in posizione "ON" aumenta il rischio di incidenti.
- Togliere tutte le chiavi di regolazione prima di accendere l'utensile. Una chiave lasciata inserita in una parte rotante di un utensile può provocare danni a persone.
- Non utilizzare l'utensile in condizioni estreme. Mantenere sempre l'equilibrio ed i piedi ben appoggiati a terra. Questo consente un maggior controllo dell'utensile in caso di imprevisti.
- Indossare un abbigliamento adeguato. Non indossare abiti svolazzanti o gioielli. Tenere capelli, vestiti, e guanti lontani dalle parti in movimento. Abiti svolazzanti, gioielli o capelli potrebbero impigliarsi nelle parti in movimento.
- In presenza di apparecchiature per il collegamento a dispositivi di aspirazione e raccolta delle polveri, accertarsi che essi siano collegati ed utilizzarli correttamente. L'uso di queste apparecchiature può ridurre i rischi causati dalla polvere.

4. USO E MANUTENZIONE DELL'UTENSILE

- Utilizzare l'utensile più adatto per il lavoro da svolgere. L'impiego dell'utensile giusto migliora la qualità del lavoro e la sicurezza.
- Non utilizzare l'utensile se non è possibile accenderlo e spegnerlo con l'apposito interruttore. Gli utensili che non possono essere controllati con l'interruttore sono pericolosi e devono essere riparati.
- Staccare la spina dall'alimentazione di corrente prima di eseguire regolazioni, cambiare accessori o riporre l'utensile. Osservando queste precauzioni si riduce il rischio di accensione accidentale dell'utensile.
- Riporre gli utensili non utilizzati fuori dalla portata dei bambini e non consentirne l'utilizzo a persone che non conoscono l'utensile o queste istruzioni. Nelle mani di persone inesperte gli utensili possono diventare pericolosi.
- Sottoporre l'utensile a manutenzione. Verificare il corretto allineamento di tutte le parti mobili, controllare che non siano grippate e che non vi siano rotture o altri guasti che potrebbero influire sul funzionamento dell'utensile. Far riparare gli utensili danneggiati prima di riutilizzarli. Molti incidenti sono causati da utensili in pessime condizioni.
- Tenere le punte e gli strumenti da taglio puliti ed affilati. Se sottoposti ad una regolare manutenzione e pulizia consentono di lavorare in modo più preciso e sono maggiormente controllabili.
- Utilizzare l'utensile, gli accessori, gli attrezzi etc. secondo quanto indicato in queste istruzioni nonché tenendo in considerazione le

condizioni di lavoro e il lavoro da eseguire. *L'impiego di utensili per scopi diversi da quelli per cui sono stati progettati può dare origine a situazioni pericolose.*

5. MANUTENZIONE

- a) Far riparare l'utensile da personale qualificato che utilizzi solo parti di ricambio originali. *In caso contrario la sicurezza dell'utensile potrebbe risultare compromessa.*

IV - Ulteriori norme di sicurezza per smerigliatrici angolari

Istruzioni di sicurezza generali per lavori di levigatura, lavori con spazzole metalliche e troncatura:

- a) Questo elettrotensile è previsto per essere utilizzato come levigatrice, levigatrice con fogli abrasivi, spazzola metallica e troncatrice. *Attenersi a tutte le avvertenze di pericolo, istruzioni, rappresentazioni e dati che si ricevono insieme all'elettrotensile. In caso di mancata osservanza delle seguenti istruzioni vi è il pericolo di provocare una scossa elettrica, di sviluppare incendi e/o di provocare seri incidenti.*
- b) Questo elettrotensile non è adatto per operazioni di lucidatura. *Utilizzando l'elettrotensile per applicazioni non esplicitamente previste per lo stesso, si vengono a sviluppare situazioni pericolose e si provocano incidenti.*
- c) Non utilizzare nessun accessorio che la casa costruttrice non abbia esplicitamente previsto e raccomandato per questo elettrotensile. *Il semplice fatto che un accessorio possa essere fissato al Vostro elettrotensile non è una garanzia per un impiego sicuro.*
- d) Il numero di giri ammesso dell'accessorio impiegato deve essere almeno tanto alto quanto il numero massimo di giri riportato sull'elettrotensile. *Un accessorio che gira più rapidamente di quanto consentito può rompersi in vari pezzi e venire lanciato intorno.*
- e) Il diametro esterno e lo spessore dell'accessorio montato devono corrispondere ai dati delle dimensioni dell'elettrotensile in dotazione. *In caso di portautensili e di accessori di dimensioni sbagliate non sarà possibile schermarli oppure controllarli a sufficienza.*
- f) Dischi abrasivi, flange, platorelli oppure altri portautensili ed accessori devono adattarsi perfettamente al mandrino portamola dell'elettrotensile in dotazione. *Portautensili ed accessori che non si adattano perfettamente al mandrino portamola dell'elettrotensile non ruotano in modo uniforme, vibrano molto forte e possono provocare la perdita del controllo.*
- g) Non utilizzare mai portautensili od accessori danneggiati. *Prima di ogni utilizzo controllare i portautensili e gli accessori ed accertarsi che*

sui dischi abrasivi non vi siano scheggiature o crepature, che il platorello non sia soggetto ad incrinature, crepature o forte usura e che le spazzole metalliche non abbiano fili metallici allentati oppure rotti. *Se l'elettrotensile oppure l'accessorio impiegato dovesse sfuggire dalla mano e cadere, accertarsi che questo non abbia subito nessun danno oppure utilizzare un accessorio intatto. Una volta controllato e montato il portautensile o accessorio, far funzionare l'elettrotensile per la durata di un minuto con il numero massimo di giri avendo cura di tenersi lontani e di impedire anche ad altre persone presenti di avvicinarsi al portautensile o accessorio in rotazione. Nella maggior parte dei casi i portautensili o accessori danneggiati si rompono nel corso di questo periodo di prova.*

- h) Indossare abbigliamento di protezione. *A seconda dell'applicazione in corso utilizzare una visiera completa, maschera di protezione per gli occhi o oppure occhiali di sicurezza. Per quanto necessario, portare maschere per polveri, protezione acustica quanti di protezione oppure un grembiule speciale in grado di proteggervi da piccole particelle di levigatura o di materiale. Gli occhi dovrebbero essere protetti da corpi estranei espulsi in aria nel corso di diversi applicazioni. La maschera antipolvere e la maschera respiratoria devono essere in grado di filtrare la polvere provocata durante l'applicazione. Esponendosi per lungo tempo ad un rumore troppo forte vi è il pericolo di perdere l'udito.*
- i) *Avere cura di evitare che altre persone possano avvicinarsi alla zona in cui si sta lavorando. Ogni persona che entra nella zona di operazione deve indossare un abbigliamento protettivo personale. Frammenti del pezzo in lavorazione oppure utensili rotti possono volar via oppure provocare incidenti anche al di fuori della zona diretta di lavoro.*
- j) *Quando si eseguono lavori in cui vi è pericolo che l'accessorio impiegato possa arrivare a toccare cavi elettrici nascosti oppure anche il cavo elettrico della macchina stessa, tenere l'elettrotensile afferrandolo sempre alle superfici di impugnatura isolate. Un contatto con un cavo elettrico mette sotto tensione anche le parti in metallo dell'elettrotensile e provoca quindi una scossa elettrica.*
- k) *Tenere il cavo di collegamento elettrico sempre lontano da portautensili o accessori in rotazione. Se si perde il controllo sull'elettrotensile vi è il pericolo di troncatura o di colpire il cavo di collegamento elettrico e la Vostra mano o braccio può arrivare a toccare il portautensile o accessorio in rotazione.*
- l) *Mai poggiare l'elettrotensile prima che il portautensile o l'accessorio impiegato non si sia fermato completamente. L'utensile in rotazione può entrare in contatto con la superficie di appoggio facendovi perdere il controllo sulla macchina.*
- m) *Mai trasportare l'elettrotensile mentre questo dovesse essere ancora in funzione. Attraverso*

un contatto casuale l'utensile in rotazione potrebbe fare presa sugli indumenti oppure sui capelli dell'operatore e potrebbe arrivare a ferire seriamente il corpo dell'operatore.

- n) **Pulire regolarmente le feritoie di ventilazione dell'elettrotensile in dotazione.** Il ventilatore del motore attira polvere nella carcassa ed una forte raccolta di polvere di metallo può provocare pericoli di origine elettrica.
- o) **Non utilizzare mai l'elettrotensile nelle vicinanze di materiali infiammabili.** Le scintille possono far prendere fuoco questi materiali.
- p) **Non utilizzare mai accessori che richiedono refrigeranti liquidi.** L'utilizzo di acqua o di altri liquidi refrigeranti può provocare una scossa elettrica.
 - **Non utilizzare la macchina per scopi diversi da quelli indicati in queste istruzioni.** L'uso per qualsiasi altra finalità sarà considerato uso improprio. In tal caso sarà l'utente e non l'azienda produttrice ritenuto responsabile di eventuali danni o lesioni.
 - **L'azienda produttrice non è responsabile per eventuali modifiche apportate all'utensile da parte dell'utente o per danni causati da tali modifiche.**
 - **Quando si lavora in ambiente polveroso mantenere pulite le aperture di ventilazione.** Se risulta necessario pulire la polvere, distaccare prima l'alimentazione e usare oggetti non metallici per pulire la polvere, facendo attenzione di non guastare le parti interne della macchina. Se utilizzato dopo essere stato fatto raffreddare con aperture di ventilazione intasate l'utensile si surriscalderà.

Altre esigenze di sicurezza in tutte le operazioni

Contraccolpo e relative avvertenze di pericolo

Un contraccolpo è l'improvvisa reazione in seguito ad agganciamento oppure blocco di accessorio in rotazione come può essere un disco abrasivo, platorello, spazzola metallica ecc. Se si aggancia o blocca, il portautensile/accessorio provoca un arresto improvviso della rotazione dello stesso e spingendo l'utensile a ruotare nel senso inverso. Se ad esempio un disco abrasivo resta agganciato o bloccato nel pezzo in lavorazione, il bordo del disco abrasivo che è inserito nel pezzo in lavorazione può rimanere impigliato provocando in questo modo una rottura oppure un contraccolpo del disco abrasivo. Il disco abrasivo potrebbe scagliarsi contro o sfuggire all'operatore a seconda della direzione di rotazione che ha nel momento in cui si blocca. In tali situazioni è possibile che le mole abrasive possano anche rompersi.

Il contraccolpo è la conseguenza di un utilizzo non appropriato oppure non corretto dell'elettrotensile e può essere evitato osservando le indicazioni riportate qui di seguito.

- a) **Tenere sempre ben saldo l'elettrotensile e portare il proprio corpo e le proprie braccia in una posizione che permetta di compensare le forze di contraccolpo.** Se possibile utilizzare sempre l'impugnatura supplementare in modo da poter avere maggior controllo su forze di contraccolpi o inavvertite reazioni della cop-

pia che si sviluppano durante la di avvio. Prendendo appropriate misure di precauzione l'operatore può essere in grado di tenere sotto controllo tali forze.

- b) **Mai avvicinare la propria mano alla zona degli utensili in rotazione.** Nel corso dell'azione di contraccolpo il portautensile o accessorio potrebbe scagliarsi sulla mano dell'utente.
- c) **Evitare di avvicinare il proprio corpo alla zona dell'elettrotensile in movimento in caso di contraccolpo.** Un contraccolpo provoca lo spostamento improvviso dell'elettrotensile nella direzione opposta a quella della rotazione della mola abrasiva al punto di blocco.
- d) **Operare con particolare attenzione in prossimità di angoli, spigoli taglienti ecc.** Evitare di provocare intralci o far rimbalzare i portautensili o accessori. L'utensile in rotazione ha la tendenza a rimanere bloccato in angoli, spigoli taglienti oppure in caso di rimbalzo. Ciò provoca una perdita del controllo oppure un contraccolpo.
- e) **Non utilizzare lame per seghe a catena o lame dentellate.** Questo tipo di accessori provocano spesso un contraccolpo oppure la perdita del controllo sull'elettrotensile.
 - **Se possibile fissare sempre il pezzo da forare con morsetti o con una morsa a vite.**

Particolari avvertenze per operazioni di levigatura e di tronatura:

- a) **Utilizzare esclusivamente dischi abrasivi di dimensioni consigliate per l'elettrotensile in dotazione e sempre con relativa cuffia di protezione.** Utensili abrasivi che non sono previsti per l'elettrotensile non possono essere sufficientemente protetti e sono pertanto rischiosi.
- b) **Utilizzare sempre la cuffia di protezione prevista per il tipo di utensile abrasivo utilizzato.** La cuffia di protezione deve essere fissata all'elettrotensile e regolata in modo tale da poter garantire la massima sicurezza, cosicché il disco sia esposto al minimo possibile verso l'operatore. Il riparo deve proteggere l'operatore da frammenti, da contatti accidentali con la mola, e da scintille che potrebbero dare fuoco agli giindumenti.
- c) **Utilizzare i dischi esclusivamente per gli scopi previsti.** Per esempio si sconsiglia di eseguire lavori di levigatura con la superficie laterale di un disco da taglio. Dischi da taglio sono previsti per l'asportazione di materiale con il bordo del disco. Esercitando pressione ai bordi di questi dischi vi è pericolo di romperli.
- d) **Utilizzare sempre flange di serraggio in perfetto stato nonché di dimensione e forma corretta per il disco in uso.** Le flange sostengono il disco riducendo il più possibile il pericolo di rottura. Flange per dischi da taglio possono essere differenti da flange per dischi abrasivi.
- e) **Non utilizzare mai dischi usurati previsti per elettrotensili più grandi.** Dischi previsti per elettrotensili più grandi non sono concepiti per la velocità superiore di elettrotensili più piccoli e possono rompersi.

- **Prestare attenzione al senso di rotazione del disco.** La reazione della coppia avviene nel senso opposto rispetto a quello di rotazione al momento di blocco e ciò potrebbe causare una perdita di controllo dell'utensile.
- **Guidare la macchina in modo tale che scintille e polvere vengano scagliati in direzione opposta all'operatore.** Le scintille causate dal lavoro con l'utensile potrebbero danneggiare capi o provocare ustioni.
- **Non svolgere operazioni di sbavatura e/o taglio su superfici metalliche con vernice ancora fresca.** Sussiste il pericolo di combustione da vernice fresca.
- **Non tagliare materiali infiammabili (legno, plastica, etc.) e pannelli a strati contenenti materiali di questo tipo.** Sussiste il rischio di incendio.
- **Non tagliare o sbavare impianti sotto sforzo.** Sussiste il pericolo di esplosione.
- **Prima di tagliare o sbavare cisterne, tubature, impianti etc. che contengano o abbiano contenuto in precedenza sostanze infiammabili o facilmente combustibili prendere misure precauzionali.** Sussiste il pericolo di incendio ed esplosione.

Ulteriori avvertenze specifiche per lavori di tronca-
tura:

- a) **Non spingere con forza il disco da taglio nel materiale o esercitare una forte pressione. Non eseguire tagli eccessivamente profondi.** Sottoponendo la mola da taglio a carico eccessivo se aumenta la possibilità che questa si deformi o si blocchi nel materiale da lavorare, creando così pericolo di contraccolpo oppure di rottura del disco stesso.
- b) **Evitare di porsi in linea con il disco da taglio in lavorazione.** Quando l'operatore manovra il disco nel pezzo in lavorazione in direzione opposta a quella della propria persona, può capitare che in caso di un contraccolpo il disco in rotazione faccia rimbalzare con violenza l'elettrotensile verso l'operatore.
- c) **Qualora il disco abrasivo da taglio diritto dovesse incepparsi oppure si dovesse interrompere il lavoro per qualsiasi motivo, spegnere l'elettrotensile e tenerlo fermo fino a quando il disco non si sarà completamente fermato. Non tentare mai di estrarre il disco in movimento dal materiale in lavorazione, ciò potrebbe provocare un contraccolpo. Rilevare ed eliminare la causa del blocco.**
- d) **Mai rimettere l'elettrotensile in funzione con disco ancora nel pezzo in lavorazione. Lasciare che il disco raggiunga la massima velocità e rientrare lentamente nella posizione di taglio. In caso contrario il disco potrebbe rimanere aggranciato, sbalzare dal pezzo in lavorazione oppure provocare un contraccolpo.**
- e) **Dotare pannelli oppure pezzi in lavorazione di dimensioni elevate di un supporto in modo da ridurre il rischio di blocchi o contraccolpi. Pezzi in lavorazione di dimensioni elevate tendono ad incurvarsi sotto l'effetto del proprio peso. Posizionare il supporto sia nelle vicinanze del ta-**

glio di troncatura (su entrambi i lati della lama), sia in quelle del bordo del materiale stesso.

- f) **Operare con particolare attenzione in caso di "tagli dal centro" in pareti già esistenti oppure in altre parti non visibili. Il disco potrebbe arrivare a troncature condutture del gas o dell'acqua, linee elettriche oppure arrivare a contatto con oggetti di altro tipo che provocherebbero contraccolpi.**

Avvertenze per lavori con spazzole metalliche:

- a) **Presente che la spazzola metallica perde pezzi di fil di ferro anche durante il comune impiego. Non sottoporre i fili metallici a carico troppo elevato esercitando una pressione troppo alta. Pezzi di fil di ferro espulsi in aria possono essere penetrare in indumenti sottili e/o la pelle.**
- b) **Se l'uso di una cuffia di protezione è necessario, evitare che si impedisce che questa e la spazzola metallica possano toccarsi. Il diametro delle spazzole può aumentare a causa delle forze di pressione e tramite l'azione di forze centrifugali.**

V - Elementi della macchina

Prima di utilizzare la macchina è bene conoscere le sue particolarità e le avvertenze di sicurezza.

Usare l'utensile e gli accessori solo per gli scopi indicati in queste istruzioni. L'uso per qualsiasi altra finalità è severamente vietato.

1. Albero portamolà
- 2.1. Cuffia per mole da sbavatura
- 2.2. Cuffia per mole da taglio *
3. Rondella di supporto
- 4.1. Mola da sbavatura (da usare soltanto con apposita cuffia) *
- 4.2. Mola da taglio (da usare solo con apposita cuffia) *
5. Flangia stringente
6. Impugnatura supplementare
7. Interruttore ON/OFF
8. Pulsante di blocco del mandrino per sostituzione rapida del disco

ACCESSORI UTILIZZABILI CON QUESTO ELETTRUTENSILE *

9. Spazzola metallica
10. Mole abrasive da sgrasso e taglio
11. Disco lamellare
12. Impugnatura anti-vibrazione

* Gli accessori principali che possono essere utilizzati con questa macchina ed offerti da SPARKY, sono indicati in pag. 96-99 con i loro riferimenti. Questi accessori non sono compresi nel kit.

VI - Uso della macchina

Questa smerigliatrice è azionata da corrente alternata monofase. Dispone di un doppio isolamento in conformità alle norme EN 60745-1 e IEC 60745 e può essere

collegata a prese di corrente con o senza messa a terra. È inoltre conforme alla normativa europea sulla schermatura 2004/108/EC.

Questo elettrotensile è indicato per il taglio, la rettifica e la grossatura di metalli senza l'uso d'acqua. I tipi con regolazione elettronica dei giri possono essere adoperati per rettificare e lucidare, utilizzando appositi accessori.

PRIMA DELLA MESSA IN FUNZIONE

- La macchina può essere con un riparo montato in fabbrica. Accertarsi che il riparo sia montato correttamente e che sia fissato in modo longitudinale, prima dell'uso iniziale ed ogni uso successivo.
- La macchina può avere una mola montata in fabbrica. Accertarsi che la mola sia montata correttamente e che sia serrata in modo longitudinale, prima dell'uso iniziale ed ogni uso successivo.
- Che la tensione di alimentazione corrisponda ai valori indicati sulla targhetta dell'utensile.
- Che l'interruttore ON/OFF non sia premuto. La smerigliatrice deve essere collegata all'alimentazione elettrica solo se l'interruttore non è premuto.
- Che il cavo elettrico e la spina siano in perfetto stato. Per motivi di sicurezza i cavi elettrici danneggiati devono essere sostituiti solo dall'azienda produttrice o dai centri di servizio autorizzati.



AVVERTENZA: Prima di sostituire qualsiasi accessorio o eseguire operazioni di manutenzione accertarsi sempre che l'utensile sia spento e la spina staccata dalla presa di corrente.

- Assicurarsi che il diametro e lo spessore della mola non siano superiori a quelli indicati nei dati tecnici. La velocità periferica ammissibile, indicata sulla mola, non deve essere inferiore a 80 m/s. Preservare le mole e lavorare attentamente con esse, seguendo le istruzioni del fabbricante.
- In caso l'area di lavoro sia distante da una presa di corrente utilizzare una prolunga più corta possibile.
- Assicurarsi che l'impugnatura supplementare sia montata e fissata correttamente.

CUFFIA DI PROTEZIONE



AVVERTENZA: La cuffia per le mole da sbavatura (2.1) e per mole da taglio (2.2) deve sempre essere montata sulla macchina!

La sua posizione varia in base alla posizione dell'impugnatura laterale e se la macchina è montata su un supporto.

ISTRUZIONI SUL MONTAGGIO DEL RIPARO

Prima di svolgere le seguenti operazioni, la macchina deve essere disinnestata dalla rete di alimentazione, staccando la spina.

1. Fissaggio del riparo

- Aprire la leva bloccante (15) ed eventualmente allentare la vite (16), (Fig. 1)

- Porre il riparo (2) in modo che le chiavette (14) del riparo coincidano con l'alloggiamento (17) e premerlo in giù, affinché si infili nell'incanalatura (18) intorno alla sede del cuscinetto. (Fig. 2a, b)
- Stringere la vite (16), per rimuovere il gioco tra l'anello del riparo e la sede del cuscinetto in modo che ci sia la possibilità di una lieve rotazione tra di essi.
- Girare il riparo nella posizione desiderata.
- Chiudere la leva bloccante (15), per fissare il riparo.
- Quando necessario ripetere l'operazione di rimozione del gioco tra l'anello del riparo e la sede del cuscinetto.

2. Giro del riparo nella nuova posizione di lavoro

- Aprire la leva stringente (15).
- Girare il riparo nella nuova posizione di lavoro.
- Chiudere la leva bloccante (15).

MONTAGGIO DELLA MOLA

Fissare l'albero portamola (1) della smerigliatrice premendo il pulsante (8), il quale si trova sulla scatola del riduttore della macchina.



AVVERTENZA: Non è ammesso premere il pulsante (8) mentre l'albero portamola gira.

- Posare la rondella di supporto (3) con gli alloggiamenti in giù. (Fig. 3)
- Mettere la mola (4) esattamente sopra la rondella di supporto con le scritte in giù. (Fig. 4)
- Mettere la flangia stringente (5) con il lato piatto verso la mola (4) e girarla a mano. Mettere la chiave a doppio gancio nei fori della flangia stringente (5). (Fig. 5)
- A premuto pulsante per fissaggio dell'albero portamola (8), serrare bene la flangia stringente (5) con la chiave a doppio gancio. (Fig. 6a,b)

Avendo messo la mola, fare la macchina funzionare con la nuova mola per circa un minuto senza carico. Le mole che vibrano o girano irregolarmente, vanno sostituite subito.

Avvitare la spazzola metallica (9) direttamente sull'albero portamola (1) con l'aiuto di una chiave. (Controllare che la lunghezza della filettatura della spazzola sia sufficiente per coprire la filettatura dell'albero portamola).

IMPUGNATURA SUPPLEMENTARE

Solitamente l'impugnatura supplementare (6) viene applicata al lato sinistro della macchina. Tuttavia può essere montata al lato destro se più comodo all'operatore.

ACCENSIONE/SPEGNIMENTO

Accensione: Premere il cursore dell'interruttore ON/OFF (7) nella parte posteriore e quindi spostarlo in avanti nella direzione della freccia, finché la sua parte anteriore affondi e si blocchi.

Spegnimento: Premere la parte posteriore sollevata dell'interruttore ON/OFF (7) e lasciarlo ritornare da solo al punto di partenza.



AVVERTENZA: A basse temperature, o se il apparecchio non ha funzionato per molto tempo, farlo funzionare al minimo per circa un minuto per stabilire il suo normale funzionamento. Così, la lubrificazione è migliorata e la vita operativa dello strumento è stata estesa.

RACCOMANDAZIONI D'USO

Durante lavori di taglio non esercitare pressione sul materiale ma smerigliare con un movimento pendolare avanti e indietro sul pezzo.

Per la lavorazione di metalli leggeri utilizzare mole apposite.

È importante la direzione nella quale si taglia. La macchina si deve avanzare nella direzione contraria alla rotazione del disco. Altrimenti esiste il pericolo che il disco esca in un modo incontrollabile dal taglio. (Fig.7)

Quando si tagliano profilati e tubi a sezione rettangolare, si consiglia di cominciare il taglio dal lato minore.

Quando si lavora con un disco da taglio non esercitare pressione, non muovere il disco in modo trasversale alla sezione.

Lavorare con un avanzamento moderato, adatto per il materiale lavorato.

Il miglior rendimento nella smerigliatura di sgrasso si ottiene tenendo la mola inclinata con un angolo di 30° e 40° rispetto al piano di lavoro.

Non usare mai mole da troncatura per la smerigliatura di sgrasso. Si sconsiglia l'impiego di mole di uno spessore superiore a 6 mm.

VII - Manutenzione



AVVERTENZA: Accertarsi che l'utensile sia spento e che la spina sia disinserita prima di effettuare qualsiasi controllo di manutenzione.

CAMBIO DELLE SPAZZOLE

Questo trapano è fornito con spazzole autofrenanti. Quando queste si esauriscono, la macchina smette di funzionare. In tal caso far sostituire entrambe le spazzole in un centro autorizzato SPARKY utilizzando parti originali.

CONTROLLI PERIODICI GENERALI

Controllare regolarmente che tutte le viti siano propriamente fissate. Dopo un uso prolungato potrebbero infatti allentarsi a causa delle vibrazioni.

In caso sia necessario cambiare il cavo, recarsi ad un centro assistenza SPARKY.

PULIZIA

Per poter garantire buone e sicure operazioni di lavoro, tenere la macchina e le aperture di ventilazione sempre pulite.

Verificare regolarmente che polvere o altri corpi estranei non siano penetrati nelle aperture di ventilazione o attorno agli interruttori. Utilizzare uno spazzolino morbido per rimuovere la polvere depositatasi. Proteggere gli occhi durante la pulizia indossando occhiali da lavoro.

Per pulire la macchina utilizzare un panno umido. È possibile utilizzare un leggero detersivo.



AVVERTENZA: Non utilizzare alcohol, benzina o altri solventi. È sconsigliato l'uso di detersivi aggressivi per la pulizia delle parti in plastica.



AVVERTENZA: Evitare il contatto della macchina con l'acqua.

IMPORTANTE! Per garantire la sicurezza e l'affidabilità dell'utensile, riparature, lavori di manutenzione ed altre regolazioni (incluso il controllo e l'eventuale sostituzione delle spazzole) devono essere effettuate da centri di assistenza SPARKY autorizzati, dove vengono adoperate solo parti originali.

VIII - Garanzia

Il periodo di garanzia per gli utensili SPARKY ha validità a partire dalla data di acquisto ed è conforme alle normative europee.

Non sono coperti da garanzia danni derivanti da usura, sovraccarico o uso improprio.

L'azienda produttrice assicura la sostituzione di tutte le parti non funzionanti in cui si riconoscano difetti di materiale e/o di lavorazione.

Le prestazioni di garanzia saranno erogate solo se la macchina richiesta sarà inviata in condizioni integre al rivenditore o ad un centro di assistenza, accompagnata dallo scontrino fiscale.

Ulteriori informazioni

Leggere attentamente tutte le istruzioni sull'uso prima di adoperare questo prodotto.

L'azienda produttrice si riserva il diritto di apportare modifiche tecniche senza preavviso.

Le specifiche tecniche possono variare da paese a paese.

Contenido

I - Introducción	39
II - Datos técnicos	41
III - Advertencias generales de seguridad de la herramienta	42
IV - Instrucciones adicionales de seguridad al trabajar con esmeriladoras angulares	43
V - Componentes de la herramienta eléctrica	A/45
VI - Instrucciones de trabajo.....	45
VII - Mantenimiento	47
VIII - Garantía.....	47

DESEMBALAJE

Debido a la moderna tecnología de producción en masa, es poco probable que su herramienta sea defectuosa o que falte una pieza. Si encuentra algo mal, no trabaje con la herramienta hasta que se haya puesto la pieza o se haya arreglado la avería. El incumplimiento de esta indicación puede provocar un grave daño personal.

MONTAJE

La esmeriladora angular se suministra envasada y ensamblada, salvo el mecanismo de seguridad y la empuñadura adicional.

I - Introducción

Su nueva herramienta SPARKY satisfará totalmente sus expectativas. Ha sido fabricada conforme a las exigentes Normas de calidad de SPARKY para cumplir los más elevados requisitos de funcionamiento. Su nueva herramienta es fácil y segura de manejar y, con el debido cuidado, le dará muchos años de servicio fiable.



AVISO!

Lea detenidamente todo el Manual de instrucciones antes de usar su nueva herramienta SPARKY. Preste especial atención a los **Avisos**. Su herramienta SPARKY tiene muchas funciones que harán más rápido y seguro su trabajo. La seguridad, el funcionamiento y la fiabilidad son las mayores prioridades del desarrollo de esta herramienta, lo que la hace fácil de mantener y manejar.



No tire los productos eléctricos a la basura!

Los productos eléctricos no se deben tirar a la basura. Por favor recicelos en el lugar adecuado. Póngase en contacto con su ayuntamiento o con una empresa de reciclaje.



PROTECCIÓN MEDIOAMBIENTAL

El aparato, sus accesorios y embalaje deberán separarse para reciclarse cada uno por su lado. Los componentes de plástico llevan una etiqueta del tipo de reciclado.

DESCRIPCIÓN DE LOS SÍMBOLOS

La placa de su herramienta puede contener símbolos, que representan información importante sobre el producto o instrucciones de uso.



Lleve siempre gafas de protección.



Doble aislamiento de protección adicional.



Rosca de unión del husillo M10



Rosca de unión del husillo M14



Conformidad con las directrices europeas aplicables



Compatible con los requisitos de los documentos normativos rusos



Compatible con los requisitos de los documentos normativos ucranianos



Conozca las instrucciones de explotación

YYYY-Www

Período de producción en que los símbolos variables son:
YYYY - año de producción, ww – semana natural consecutiva

M

ESMERILADORA ANGULAR

II - Datos técnicos

Modelo	M 600	M 650	M 720
▪ Potencia consumida	600 W	650 W	720 W
▪ Revoluciones en marcha en vacío	11000 min ⁻¹	11000 min ⁻¹	11000 min ⁻¹
▪ Rosca de unión del husillo	M10	M14	M14
▪ Longitud de la rosca del husillo	20 mm	20 mm	20 mm
▪ Diámetro interno del disco esmerilador	16	22,23	22,23
▪ Diámetro máximo del disco esmerilador	100 mm	115 mm	125 mm
▪ Grosor máximo del disco esmerilador	6 mm	6 mm	6 mm
▪ Peso (EPTA Procedure 01/2003)	1,2 kg	1,2 kg	1,2 kg
▪ Clase de protección (EN 60745-1) <input type="checkbox"/>	II	II	II
INFORMACIÓN SOBRE RUIDOS Y VIBRACIONES (Los valores se han medido según la norma EN 60745.)			
▪ Emisión de ruidos			
A-nivel medido de presión acústica L _{pA}	94.2 dB(A)	94.2 dB(A)	94.2 dB(A)
Indeterminación K _{pA}	3 dB	3 dB	3 dB
A-nivel medido de potencia acústica L _{wA}	105.2 dB(A)	105.2 dB(A)	105.2 dB(A)
Indeterminación K _{wA}	3 dB	3 dB	3 dB



¡Utilice medios de protección del ruido!

▪ Emisión de vibraciones *			
<i>Valor total de las vibraciones (suma vectorial de tres direcciones) determinado según la norma EN 60745</i>			
▪ Esmerilado de superficies			
Valor de las vibraciones emitidas a _{h,AG}	4,2 m/s ²	4,3 m/s ²	4,5 m/s ²
Indeterminación K _{AG}	1,5 m/s ²	1,5 m/s ²	1,5 m/s ²
▪ Esmerilado con papel abrasivo			
Valor de las vibraciones emitidas a _{h,DS}	3,9 m/s ²	4,0 m/s ²	4,2 m/s ²
Indeterminación K _{DS}	1,5 m/s ²	1,5 m/s ²	1,5 m/s ²

* Las vibraciones se han determinado conforme al punto 6.2.7 de la norma EN 60745-1.

El nivel de emisión indicado en la presente información ha sido medido de acuerdo con un ensayo estandarizado recogido en EN 60745 y puede usarse para comparar una herramienta con otra. Puede utilizarse para un informe preliminar de exposición.

El nivel de emisión de vibraciones declarado se aplica a las principales aplicaciones de la herramienta. De todos modos, si la herramienta se utiliza para aplicaciones diferentes, con accesorios diferentes o pobremente mantenida, la emisión de vibraciones puede variar. Esto puede aumentar significativamente el nivel de exposición durante el tiempo total de trabajo.

Una estimación del nivel de exposición a la vibración también debería tener en cuenta el tiempo en que la máquina está apagada o cuando está en marcha, pero no trabajando. Esto puede reducir de forma importante el nivel de exposición durante el tiempo total de trabajo.

Mantenga la herramienta, los accesorios y sus propias manos calientes mientras trabaje con el taladro, con el fin de reducir el doloroso efecto de las vibraciones.

Polvos de materiales como por ejemplo pinturas que contienen plomo, ciertos tipos de madera, minerales y meta II pueden ser nocivos para la salud. El contacto o la inhalación de los polvos puede provocar reacciones alérgicas y/o problemas de respiración del usuario o personas que se encuentren en su cercanía.

Ciertos polvos como polvo de roble o encina se consideran cancerígenos, especialmente en combinación con aditivos para el tratamiento de madera (cromato, agentes de protección de madera). Materiales con asbesto solamente deben ser tratados por personas especializadas.

- Si posible, utilice un dispositivo de aspiración de polvo.
- Para obtener un alto grado de colección de polvo durante el trabajo con esta herramienta eléctrica use una aspiradora adecuada para polvo de madera y polvo mineral.
- Mantenga bien ventilado el lugar de trabajo.
- Se recomienda llevar una máscara de protección de polvo con clase de filtro P2.

Respete los reglamentos vigentes en su país para los materiales a tratar.

III - Advertencias generales de seguridad de la herramienta

A **AVISO!** Lea todos los avisos de seguridad y todas las instrucciones. El hecho de no seguir los avisos e instrucciones puede provocar una descarga eléctrica, fuego y/o un daño grave.

Guarde en lugar seguro todos los avisos e instrucciones para futuras consultas.

El término "herramienta" de los avisos se refiere a su herramienta eléctrica con cable o a batería.

1. SEGURIDAD DE LA ZONA DE TRABAJO

- Mantenga limpia y bien iluminada su zona de trabajo. Las zonas sucias u oscuras pueden provocar accidentes.
- No trabaje con la herramienta en ambientes explosivos, como en presencia de líquidos inflamables, gases o polvo. Las herramientas producen chispas que pueden provocar la ignición del polvo o de los gases.
- Las distracciones pueden provocar pérdidas de control.

2. SEGURIDAD ELÉCTRICA

- Los enchufes de la herramienta tienen que coincidir con la toma de corriente. No utilice adaptadores con herramientas en contacto con el suelo (enterradas). Los enchufes y tomas sin modificar reducirán el riesgo de descarga eléctrica.
- Evite el contacto corporal con superficies con contacto a tierra, como tuberías, radiadores, cocinas y frigoríficos. Hay un aumento del riesgo de descarga eléctrica si su cuerpo está en contacto con el suelo o enterrado.
- No exponga las herramientas a la lluvia o a la humedad. Si entra agua en la herramienta se aumentará el riesgo de descarga.
- No haga un uso indebido del cable. No utilice nunca el cable para llevar, tirar de o desconectar la herramienta. Mantenga el cable lejos del calor, de aceites, bordes afilados o piezas sueltas. Los cables dañados o enredados aumentan el riesgo de descarga eléctrica.
- Cuando trabaje con la herramienta al aire libre, utilice una alargadera apropiada para uso al aire libre. Utilizar un cable para exteriores reduce el riesgo de descarga eléctrica.
- Si es inevitable trabajar con la herramienta en un sitio húmedo, utilice un dispositivo de corriente residual (RCD) protegido. Utilizar un RCD reduce el riesgo de descarga eléctrica.

3. SEGURIDAD PERSONAL

- Permanezca atento a lo que está haciendo y haga caso del sentido común cuando trabaje con una herramienta. No utilice la herramienta cuando

esté cansado o bajo la influencia de las drogas, el alcohol o de medicación. Una pequeña falta de atención cuando se está trabajando con herramientas puede provocar un grave daño personal.

- Utilice equipos de protección personal. Lleve siempre un protector para los ojos. El equipamiento de protección, como mascarilla, zapatos de seguridad antideslizantes, casco o protección para los oídos, utilizado correctamente, reducirá los daños personales.
- Evite el arranque accidental. Al coger o llevar la herramienta, asegúrese de que el interruptor esté en la posición de apagado antes de conectar la herramienta a la red eléctrica o de poner la batería. Llevar las herramientas con el dedo en el interruptor o activar las herramientas con el interruptor encendido puede provocar accidentes.
- Retire las llaves de ajuste antes de encender la herramienta. Dejar una llave cerca de una pieza rotatoria de la herramienta puede provocar un daño personal.
- No se precipite. Mantenga los pies y la posición correcta en todo momento. Esto posibilita un mejor control de la herramienta en situaciones inesperadas.
- Lleve la ropa apropiada. No lleve ropa suelta o joyas. Mantenga el cabello, la ropa y los guantes lejos de piezas móviles. La ropa suelta, las joyas o el pelo largo pueden resultar atrapados por piezas móviles.
- Si las herramientas están equipadas para conectar el extractor de polvo y dispositivos de recoger el polvo, asegúrese de que estén conectados y se usen correctamente. El uso del dispositivo de recogida de polvo puede reducir el riesgo ocasionado por el mismo.

4. USO Y CUIDADO DE LA HERRAMIENTA

- No fuerce la herramienta. Utilice la herramienta adecuada para cada aplicación. La herramienta correcta hará mejor y más seguro el trabajo para el que fue diseñada.
- No utilice la herramienta si el interruptor no la enciende y apaga. Toda herramienta que no pueda controlarse con el interruptor es peligrosa y deberá ser reparada.
- Desconecte el enchufe de la toma de corriente y/o la batería de la herramienta antes de hacer cualquier ajuste, cambio de accesorios o guardar las herramientas. Tales medidas preventivas de seguridad reducen el riesgo de encenderse accidentalmente la herramienta.
- Mantenga las herramientas que no utilice fuera del alcance de los niños y no permita manejar la herramienta a personas que no estén familiarizadas con la herramienta, o que no conozcan las instrucciones. Las herramientas son peligrosas en manos de personas no familiarizadas con su uso.
- Teniendo en cuenta las condiciones de trabajo y el trabajo a realizar. Utilizar la herramienta para acciones diferentes a las de su uso prescrito puede provocar situaciones peligrosas.

5. SERVICIO TÉCNICO

- a) Encargue el mantenimiento de su herramienta a una persona cualificada y utilice siempre recambios originales. *Esto garantizará que se mantenga la seguridad de la herramienta.*

IV - Instrucciones adicionales de seguridad al trabajar con esmeriladoras angulares

Instrucciones generales de seguridad al esmerilar con disco, al limpiar con cepillos de alambre y cortar con un disco abrasivo:

- a) Esta herramienta eléctrica puede utilizarse como esmeriladora con disco abrasivo, con papel abrasivo, con cepillo de alambre y también para pulir y cortar con un disco abrasivo. Lea todas las instrucciones de seguridad, las recomendaciones, las imágenes y los datos que se han obtenido con la esmeriladora. *Si no se respetan las instrucciones de seguridad, podrán surgir daños de corriente eléctrica, incendio y/o lesiones graves.*
- b) Esta herramienta eléctrica no es apropiada para pulir. *La utilización de la herramienta eléctrica en trabajos para los que no ha sido prevista puede provocar un accidente.*
- c) No utilice accesorios que no hayan sido autorizados ni recomendados especialmente por el fabricante para esta herramienta eléctrica. *El hecho de que se pueda fijar un accesorio a su herramienta eléctrica no garantiza un uso seguro.*
- d) Las revoluciones nominales del accesorio deben ser, como mínimo, iguales a las revoluciones máximas indicadas en la herramienta eléctrica. *Los accesorios que giren a una velocidad más alta que su velocidad nominal podrán romperse y sus pedazos podrán llegar a dispersarse.*
- e) El diámetro externo y el grosor de la herramienta de trabajo deben ser en los límites de las dimensiones indicadas en su herramienta eléctrica. *Los accesorios cuyas dimensiones son inapropiadas no podrán ser protegidos ni manejados correctamente.*
- f) Los discos esmeriladores, las bridas de apriete, los discos elásticos u otros accesorios deben encajar exactamente en el husillo de la herramienta eléctrica. *Los accesorios que no encajen exactamente en el husillo de la herramienta girarán uniformemente, vibrarán excesivamente y podrán ocasionar pérdida de control.*
- g) No utilice accesorios dañados. Revise los accesorios antes de cualquier uso: que los discos abrasivos no se hayan desdentado ni tengan fisuras; que los discos elásticos no tengan fisuras, roturas, ni se hayan desgastado mucho; que los cepillos de alambre no se hayan aflojado ni tengan hilos quebrados. Si la

herramienta eléctrica o el accesorio se dejan caer, cerciórese de que no se hayan dañado o monte un accesorio en buen estado. Después de que el accesorio haya sido revisado y montado, sítiense junto con las personas extrañas fuera del área de rotación del accesorio, y deje que la herramienta eléctrica funcione a revoluciones máximas en marcha en vacío durante un minuto. *Normalmente, este tiempo es suficiente para que los accesorios dañados se rompan.*

- h) Lleve medios de protección personal. Según el caso concreto, utilice una pantalla de protección para el rostro o unas gafas protectoras. Si es necesario, utilice una máscara antipolvo, medios de protección del oído, un guante de protección o delantal especial que detenga las pequeñas partículas del accesorio esmerilador o de la pieza en procesamiento. *Los medios de protección de los ojos deben proteger contra las partículas volantes que se desprenden a lo largo de las diversas operaciones. Las máscaras antipolvo y protectoras de gases deben filtrar las partículas que se hayan desprendido durante el trabajo. La exposición continua a fuertes ruidos puede ocasionar la pérdida de la audición.*
- i) Mantenga a las personas extrañas a una distancia segura de la zona de trabajo. *Toda persona que se encuentre en la zona de trabajo ha de llevar medios de protección personales. Es posible que las partículas volantes desprendidas de la pieza en procesamiento o de un accesorio roto provoquen también lesiones fuera de los límites de la zona de trabajo inmediata.*
- j) En caso de que exista una posibilidad potencial de que el accesorio cortante roce con una instalación eléctrica oculta o con el cable de alimentación, sujete la herramienta eléctrica sólo por las superficies de sujeción aisladas. *El roce del accesorio con un cable bajo tensión expone a las piezas metálicas de la herramienta eléctrica bajo tensión que están al descubierto, y el operador podrá sufrir un choque eléctrico.*
- k) Mantenga el cable de alimentación fuera del alcance de funcionamiento del accesorio rotatorio. *Si se pierde el control sobre la herramienta eléctrica, el cable de alimentación podrá cortarse y arrastrar la palma o la mano hacia el área de funcionamiento de la herramienta rotatoria.*
- l) Nunca deje la herramienta eléctrica antes de que el accesorio haya dejado de girar completamente. *El accesorio rotatorio podrá engancharse al material en procesamiento y ocasionar la pérdida de control sobre la herramienta eléctrica.*
- m) No deje que la herramienta eléctrica funcione mientras se esté transportando. *El roce casual del accesorio rotatorio con su vestimenta podrá provocar su enganche y la lesión de su cuerpo.*
- n) Limpie regularmente las rejillas de ventilación de la herramienta eléctrica. *El ventilador del motor eléctrico aspira polvo hacia el cuerpo y la acumulación excesiva de polvo de metal puede provocar peligro de que se produzca daño de corriente eléctrica.*
- o) No utilice la herramienta eléctrica cerca de

materiales combustibles. Las chispas pueden inflamar estos materiales.

- p) No utilice accesorios cuyo trabajo requiera medios de refrigeración líquidos. *El uso del agua o de otros medios de refrigeración puede conducir a daños o choque de corriente eléctrica.*
- La herramienta eléctrica debe usarse sólo según los fines para los que ha sido concebida. Se considera uso incorrecto cualquier otro uso distinto del que se describe en estas instrucciones. *La responsabilidad por cualquier daño o lesión originados por el uso incorrecto, será asumida por el usuario y no por el fabricante.*
 - El fabricante no asume responsabilidad por las modificaciones en la herramienta eléctrica que hayan sido efectuadas por el usuario ni por los daños que hayan sido provocados a raíz de estas modificaciones.
 - Si se trabaja en un ambiente empolvado, las rejillas de ventilación de la máquina deben mantenerse limpias. Si deben limpiarse del polvo, desconecte primero la alimentación, utilizando objetos no metálicos para quitar el polvo y procurando que no se dañen las piezas internas de la máquina. *La herramienta eléctrica se sobrecalentará cuando la refrigeración disminuya, como consecuencia de que las rejillas de ventilación estaban empolvadas.*

Otras instrucciones de seguridad para todas las operaciones

Rebote (golpe inverso) y las instrucciones de seguridad relativas a éste

El rebote es la reacción súbita de acuíamiento o bloqueo del accesorio como, por ejemplo, el disco esmerilador, el disco elástico, el cepillo de alambre, etc. El acuíamiento o el bloqueo conducen a la detención repentina de la rotación del accesorio que, por su parte, expulsa la herramienta eléctrica sin control en el sentido opuesto del sentido de rotación de la herramienta eléctrica, es decir, en el punto de acuíamiento.

Por ejemplo, si el disco esmerilador se acuña o bloquea en la pieza, el borde del disco esmerilador que ha penetrado en esta pieza quedará encallado, y, como consecuencia de ello, el disco podrá romperse o provocar un rebote. El disco esmerilador rebota hacia el operador o desde él, según el sentido de rotación del disco en el lugar de bloqueo. En estas circunstancias, es posible que los discos esmeriladores se rompan.

El rebote es el resultado del uso y/o la explotación incorrectos o de las condiciones de trabajo con la herramienta eléctrica, y podrá evitarse aplicando las medidas de protección descritas a continuación.

- a) **Sostenga fuertemente la herramienta eléctrica, ocupe una posición adecuada con el cuerpo y coloque sus manos de modo que pueda dominar la fuerza del rebote. Utilice siempre la empuñadura adicional, si la herramienta eléctrica está provista de ella, para tener el máximo control posible sobre la fuerza del rebote o del momento reactivo al ponerla en funcionamiento. Si se aplican medidas de protección apropiadas, el operario podrá dominar el momento reactivo y el**

rebote.

- b) **No acerque nunca sus manos al accesorio rotatorio. El accesorio podrá rebotar sobre su mano.**
- c) **No se sitúe en el área en que la herramienta eléctrica puede avanzar en caso de rebote. El rebote pondrá en funcionamiento la herramienta eléctrica en el sentido opuesto al movimiento del disco esmerilador, es decir, en el lugar del bloqueo.**
- d) **Opere con mayor atención cuando esté procesando ángulos, bordes agudos, etc. No permita que el accesorio rebote o bloquee la pieza. Al procesar ángulos y bordes agudos, es posible que el accesorio rotatorio se acuñe con lo cual podrá provocarse una pérdida de control o rebote.**
- e) **No utilice discos de cadena o discos de sierra para procesar madera. Estos accesorios provocan con frecuencia rebote o pérdida de control sobre la herramienta eléctrica.**
- **Fije la pieza en procesamiento en unas mordazas o de otra forma apropiada.**

Cinstrucciones de seguridad específicas al esmerilar y cortar con disco abrasivo

- a) **Utilice sólo aquellos tipos de discos que tengan un mecanismo de seguridad previsto para ellos y hayan sido recomendados para la herramienta eléctrica. Los discos para los que esta herramienta eléctrica no haya sido diseñada no podrán ser protegidos adecuadamente, siendo inseguros.**
- b) **El mecanismo de seguridad ha de fijarse de forma segura a la herramienta eléctrica y debe estar dispuesto de modo que garantice la seguridad máxima, es decir, que una parte mínima del disco se encuentre al descubierto dirigida hacia el operador. El mecanismo de seguridad debe proteger al operador de los cascajos y del contacto fortuito con el disco y chispas que podrían prender fuego a la ropa.**
- c) **Los discos deben usarse únicamente para las aplicaciones recomendadas. Por ejemplo, no esmerile nunca con la superficie lateral del disco cortante. Los discos cortantes están destinados a desprender material con el borde del disco. Si se ejerce presión lateral sobre el disco, éste podrá romperse.**
- d) **Utilice siempre bridas de apriete en buen estado cuya forma y dimensiones sean apropiadas para el disco elegido. Las bridas de apriete que hayan sido escogidas correctamente fijarán el disco y reducirán el peligro de romperse. Las bridas de apriete para discos cortantes podrán diferir de las bridas de apriete destinadas a otro tipo de discos.**
- e) **No utilice discos desgastados de herramientas eléctricas que sean más grandes. El disco de una herramienta eléctrica de mayor tamaño no es apropiado para las revoluciones más elevadas de una herramienta eléctrica más pequeña y puede romperse.**
- **Observe siempre el sentido de rotación del disco. La fuerza reactiva es inversa al sentido de rotación en el lugar del esmerilado o del corte, siendo una premisa para perder control sobre la herra-**

mienta eléctrica.

- **Sujete siempre la máquina de modo que las chispas y el polvo del esmerilado se dispersen lejos del cuerpo.** *Las herramientas eléctricas desprenden chispas que pueden quemar la vestimenta o partes no protegidas del cuerpo.*
- **No se deben esmerilar y cortar construcciones metálicas que hayan sido pintadas recientemente antes de que la pintura se haya secado.** *Existe peligro de que se inflame la pintura que no se ha secado.*
- **No se deben cortar materiales combustibles (madera, plástico, etc.) y construcciones de paneles tipo "sándwich" rellenos de combustible.** *Existe el peligro de surgir un incendio.*
- **No se deben esmerilar y cortar instalaciones que funcionan bajo presión.** *Existe el peligro de surgir una explosión.*
- **No se deben esmerilar y cortar depósitos, tuberías, aparatos, etc., en los que haya o haya habido sustancias y materiales combustibles o fácilmente inflamables sin que se hayan adoptado medidas especiales contra incendios y antiexplosivos.** *Existe el peligro de surgir un incendio o una explosión.*

Instrucciones específicas de seguridad al cortar con disco abrasivo

- a) **Evite el acuñamiento del disco cortante o la aplicación de presión excesiva. No intente efectuar cortes demasiado profundos.** *La sobrecarga del disco cortante eleva su desgaste, como también su ductibilidad a distorsiones o bloqueos, y, de allí, a la posibilidad de rebotar o romperse el disco.*
- b) **No se sitúe en el área que se encuentra delante o detrás del disco rotatorio.** *Si en el lugar del corte el disco cortante se aleja de su cuerpo, un posible rebote podrá empujar directamente hacia Ud. la herramienta eléctrica con el disco rotatorio.*
- c) **Si el disco cortante se ha acuñado o por algún motivo Ud. interrumpe el trabajo, desconecte la herramienta eléctrica y manténgala inmóvil hasta que el disco deje de girar definitivamente. Nunca intente sacar del corte un disco que todavía esté girando; de lo contrario, se provocará un rebote.** *Busque y elimine el motivo del acuñamiento.*
- d) **No conecte nunca nuevamente la herramienta eléctrica mientras que el disco se encuentre todavía en la pieza. Deje que el disco cortante alcance sus revoluciones completas antes de introducirlo cuidadosamente en el corte.** *De lo contrario, el disco puede atascarse, deslizarse de la pieza o rebotar.*
- e) **Mediante soportes adicionales, asegure las placas o las piezas de grandes dimensiones para reducir el riesgo de acuñamiento o rebote.** *Las piezas de grandes dimensiones penden de su propio peso. La pieza debe sostenerse por ambos lados del disco tanto cerca del corte como de los extremos de la pieza.*
- f) **Sea sumamente cauteloso al hacer cortes de canales en paredes existentes u otras superficies revestidas con mampostería.** *El disco que sobresale hacia adelante podrá cortar tuberías de*

gas o de agua, instalaciones eléctricas u otros tipos de instalaciones, así como provocar un rebote.

Instrucciones de seguridad específicas al trabajar con cepillos de alambre:

- a) **Aun al trabajar normalmente con el cepillo, tenga en cuenta que los hilos de alambre se desprenden. No sobrecargue los hilos al apretar con mucha fuerza el cepillo.** *Los hilos de alambre volantes penetran fácilmente a través de la vestimenta fina y/o por la piel.*
- b) **Si durante el trabajo con un cepillo de alambre se recomienda el uso de un mecanismo de seguridad, no permita que haya roce entre el mecanismo de seguridad y el cepillo de alambre de disco o caliciforme.** *Durante el trabajo, los cepillos de alambre caliciformes pueden aumentar su diámetro bajo la influencia de la presión y las fuerzas centrífugas.*

V - Componentes de la herramienta eléctrica

Antes de empezar a trabajar con la herramienta eléctrica, infórmese sobre todas las particularidades operativas y las condiciones de seguridad.

Utilice la herramienta eléctrica y sus accesorios sólo según la finalidad con que han sido concebidos. Queda terminantemente prohibida cualquier otra aplicación.

1. Husillo
- 2.1. Mecanismo de seguridad del disco esmerilador
- 2.2. Mecanismo de seguridad del disco cortante*
3. Brida de apoyo
- 4.1. Disco para esmerilar (¡Utilícese solamente con un mecanismo de seguridad para disco esmerilador!*)
- 4.2. Disco cortante (¡Utilícese solamente con un mecanismo de seguridad para disco cortante!*)
5. Brida de apriete
6. Empuñadura adicional
7. Interruptor
8. Botón de fijación del husillo

ACCESORIOS QUE PUEDEN UTILIZARSE CON ESTA MÁQUINA ELÉCTRICA *

9. Cepillo metálico
10. Discos abrasivos de corte y pulido
11. Disco de láminas
12. Empuñadura antivibración

* Los accesorios principales que se pueden utilizar con esta máquina, ofrecidos por SPARKY, se muestran en la página 96-99 con sus números de catálogo. Ellos no están incluidos en el conjunto.

VI - Instrucciones de trabajo

Estas herramientas eléctricas se alimentan sólo mediante tensión de corriente eléctrica monofásica alterna. Poseen doble aislamiento, según las normas EN 60745 e IEC 60745-1, y pueden conectarse a tomas de co-

riente sin bornes de protección. Las radiointerferencias corresponden a la Directiva de Compatibilidad Electromagnética 2004/108/CE. Esta herramienta eléctrica está destinada a cortar, esmerilar y cepillar ante todo metales, sin usar agua.

ANTES DE EMPEZAR A TRABAJAR

- La máquina puede estar con el dispositivo de seguridad montado en fábrica. Cerciórese de que el dispositivo de seguridad esté montado correctamente y que haya sido fijado de forma fiable antes del primer uso y de cada uso siguiente.
- La máquina puede estar con el disco montado en fábrica. Cerciórese de que el disco esté montado correctamente y que haya sido atiesado de forma fiable antes del primer uso y de cada uso siguiente.
- Revise si el voltaje de la red eléctrica corresponde al que se indica en la placa de características técnicas de la herramienta eléctrica.
- Revise la posición del interruptor. La herramienta eléctrica debe conectarse y desconectarse de la red de alimentación sólo cuando el interruptor esté desconectado. Si el enchufe se introduce en la toma de corriente mientras que el interruptor está conectado, la herramienta eléctrica se pondrá inmediatamente en funcionamiento, siendo ello una premisa de accidente.
- Cerciórese del buen estado del cable de alimentación y del enchufe. Si el cable de alimentación está averiado, su sustitución debe realizarse por el fabricante o por un técnico de servicio suyo a fin de evitar los peligros relativos a esta sustitución.



ADVERTENCIA: Desconecte siempre la herramienta eléctrica y saque el enchufe de la toma de corriente antes de realizar cualquier ajuste, servicio o mantenimiento o al producirse una caída en la tensión de alimentación eléctrica.

- Revise si el diámetro y el grosor del disco no superan los que se indican en las características técnicas. La velocidad periférica admisible indicada en el disco no debe ser inferior a 80 m/s. Los discos deben guardarse según las instrucciones de su fabricante.
- Si la zona de trabajo está alejada de la fuente de alimentación, utilice un alargador lo más corto posible cuya sección sea apropiada.
- Revise si la empuñadura adicional ha sido colocada correctamente y si se ha apretado de forma segura.

MECANISMO DE SEGURIDAD DEL DISCO



ADVERTENCIA: ¡El mecanismo de seguridad (2.1) del disco esmerilador o el mecanismo de seguridad (2.2) del disco cortante (respectivamente, para el disco esmerilador (4.1) o para el disco cortante (4.2)) siempre debe estar montado en la máquina!

Su posición difiere según el lado del que se ha colocado la empuñadura adicional o al montar la máquina a un soporte.

INSTRUCCIONES DE MONTAJE DEL MECANISMO DE SEGURIDAD

Antes de efectuar las siguientes operaciones, la máquina debe estar desconectada de la red de alimentación mediante el enchufe.

1. Colocación del mecanismo de seguridad

- Abra la palanca de apriete (15), aflojando eventualmente la tuerca (16). (Fig.1)
- Coloque el mecanismo de seguridad (2) de modo que las clavijas (14) del mecanismo de seguridad coincidan con las ranuras (17), apretándolo hacia abajo para que se introduzca en el canal (18) en torno al asiento del casquillo. (Fig.2a, b)
- Apriete el tornillo (16) para eliminar el espacio entre el anillo del mecanismo de seguridad y el asiento del casquillo de modo que se produzca giro ligero entre éstos.
- Gire el mecanismo de seguridad hasta la posición deseada.
- Cierre la palanca de apriete (15) para fijar el mecanismo de seguridad.
- En caso de que sea necesario, repita la operación para eliminar el espacio entre el anillo del mecanismo de seguridad y el asiento del casquillo.

2. Giro del mecanismo de seguridad hasta una nueva posición de trabajo

- Abra la palanca de apriete (15).
- Gire el mecanismo de seguridad hasta la nueva posición de trabajo.
- Cierre la palanca de apriete (15).

COLOCACIÓN DEL DISCO

El husillo (1) de la esmeriladora se fija, apretándose el botón (8) ubicado sobre la caja reductora de la máquina.



ADVERTENCIA: No se debe apretar el botón (8) mientras que el husillo esté girando.

- Coloque la brida de apoyo (3) con las ranuras hacia abajo. (Fig. 3)
- Coloque el disco (4) exactamente sobre la brida de apoyo con los laterales hacia abajo. (Fig. 4)
- Coloque la brida de apriete (5) con la parte plana hacia el disco (4), enrosándolo manualmente. Coloque la llave bicorne en las aberturas de la brida de apriete (5). (Fig. 5)
- Cuando el botón de fijación del husillo (8) esté apretado, atiese bien la brida de apriete (5) con la llave bicorne. (Fig. 6a,b)

Después de colocar el disco, ponga la máquina en funcionamiento con el nuevo disco durante un minuto, aproximadamente, sin cargarla. Los discos vibrantes o los discos que giran de forma irregular deben sustituirse inmediatamente.

El cepillo metálico (9) se enrosca directamente al husillo (1) con la ayuda de una llave de tuercas. (Revise si la longitud de la rosca del cepillo es suficientemente larga para abarcar la rosca del husillo).

EMPUÑADURA ADICIONAL

Normalmente, la empuñadura adicional (6) se enrosca por la parte izquierda de la máquina. Puede enroscarse también por la parte derecha, si es más cómodo para el operario.

CONEXIÓN / DESCONEXIÓN

Conexión: La zapata del interruptor (7) se aprieta en la parte posterior y después se desplaza hacia adelante, en el sentido de la flecha, hasta que su parte anterior se hunda y se inmovilice.

Desconexión: Se aprieta la parte posterior elevada del interruptor (7), dejando que vuelva hacia atrás por sí solo a la posición de salida.



ADVERTENCIA: En caso de bajas temperaturas o si el instrumento eléctrico no ha funcionado en mucho tiempo, enchufen y dejen el instrumento eléctrico a funcionar al ralentí durante aproximadamente un minuto para establecer su funcionamiento normal. De esa manera se mejora la lubricación y se prolonga la vida del instrumento eléctrico.

RECOMENDACIONES

Al trabajar con un disco de corte, no ejerza presión ni mueva el disco transversalmente al corte. Trabaje con un avance moderado que sea apropiado para el material que está procesando.

Es importante el sentido del corte. La máquina debe avanzar en el sentido inverso de rotación del disco. De lo contrario, existe peligro de que el disco salga incontrolablemente fuera del corte. (Fig. 7)

Al cortar perfiles y tubos de sección rectangular, se recomienda empezar el corte por el lado más pequeño.

Al esmerilar, mueva el disco paulatinamente hacia adelante y hacia atrás sin apretar la máquina sobre la superficie que está procesando. Los metales ligeros se procesan con discos especiales. Al esmerilar de forma basta, el mejor resultado se obtiene con un declive de 30°–40° entre el disco y la superficie que se está procesando. No se permite usar discos de corte al esmerilar de forma basta. No se recomienda usar discos cuyo grosor sea superior a 6 mm.

VII - Mantenimiento



ADVERTENCIA: Desconecte siempre la herramienta eléctrica y saque el enchufe de la toma de corriente antes de realizar cualquier revisión o mantenimiento.

CAMBIO DE LOS CEPILLOS

La herramienta eléctrica está provista de cepillos de autodesconexión. Cuando los cepillos se desgasten, los dos deberán ser sustituidos simultáneamente por cepillos originales en un servicio de SPARKY de mantenimiento de garantía y fuera de garantía.

REVISIÓN GENERAL

Revise regularmente todos los elementos de soporte y cerciórese de que estén fuertemente atesados. En caso de que alguno de los tornillos se haya aflojado, enrósquelo inmediatamente para evitar situaciones de riesgo. Si el cable de alimentación está dañado, su sustitución deberá efectuarse por el fabricante o por un especialista de servicio suyo a fin de evitar los peligros relativos a esta sustitución.

LIMPIEZA

Para un trabajo seguro, manténganse la máquina y las rejillas de ventilación siempre limpias.

Revise regularmente que en la rejilla de ventilación, cerca del motor eléctrico o en torno a los conmutadores no se hayan infiltrado polvo o cuerpos ajenos. Utilice un cepillo suave para quitar el polvo acumulado. Lleve gafas de protección para proteger sus ojos durante la limpieza. Si el cuerpo de la máquina debe limpiarse, límpielo con un paño húmedo y suave. Podrá utilizarse un detergente de limpieza suave.



ADVERTENCIA: No deben usarse alcohol, gasolina ni otros disolventes. Nunca utilice detergentes corrosivos para limpiar las piezas de plástico.



ADVERTENCIA: El agua no debe entrar en contacto con la máquina.

¡IMPORTANTE! Para garantizar el trabajo seguro con la herramienta eléctrica y su fiabilidad, todas las actividades relativas a la reparación, mantenimiento y regulación (incluida la revisión y el cambio de los cepillos) deberán efectuarse por los centros de servicio autorizados de SPARKY, usando sólo piezas de recambio originales.

VIII - Garantía

El periodo de garantía de las herramientas SPARKY aparece indicado en la hoja de garantía.

Los daños debido a llevar ropa normal, a sobrecargas o manejo indebido se excluirán de la garantía.

Los daños debido al uso de materiales defectuosos, así como a defectos en la hechura serán subsanados libres de gastos por medio de sustitución o reparación.

Se reconocerán las quejas por herramientas SPARKY defectuosas si la máquina se devuelve al distribuidor o si se entrega al servicio autorizado de garantía sin desmontar, en su estado inicial.

Notas

Lea atentamente todo el manual del uso antes de utilizar este producto.

El fabricante se reserva el derecho a cambiar las especificaciones sin previo aviso.

Las especificaciones pueden ser distintas de país a país.

Conteúdo

I	- Introdução	48
II	- Especificação técnica	50
III	- Indicações gerais para a segurança do trabalho com ferramentas eléctricas.....	51
IV	- Indicações gerais para a segurança do trabalho com rebarbadoras angulares	52
V	- Conhecimento do instrumento eléctrico	A/54
VI	- Indicações para o trabalho	54
VII	- Manutenção	56
VIII	- Garantia	56

DESEMBALAGEM

De acordo com as tecnologias de produção geralmente utilizadas, é pouco provável o novo instrumento eléctrico que você adquiriu ser ineficiente ou lhe faltar alguma peça. Mesmo assim, se você verificar que qualquer coisa não está bem, não trabalhe com o instrumento, enquanto a peça ineficiente não for substituída, ou a imperfeição não ficar eliminada. O não seguimento desta recomendação é capaz de provocar um acidente de trabalho grave.

MONTAGEM

A rebarbadora angular suministra-se embalada e ensambladaq excepto o protector e a manipula complementar.

I - Introdução

O novo instrumento eléctrico SPARKY que adquiriu vai ultrapassar as suas expectativas. Ele foi fabricado de acordo com os mais elevados padrões de qualidade da SPARKY, os quais vão de encontro com as exigências mais rigorosas do consumidor. Fácil de manutenção e seguro durante a utilização, sendo correctamente manipulado, este instrumento eléctrico servir-lhe-á fielmente durante muitos anos.

ATENÇÃO!



Leia atentamente toda a instrução para o uso, antes de começar a trabalhar com o seu novo instrumento eléctrico SPARKY. Preste especial atenção aos textos que começam com a palavra “Atenção”. O seu instrumento eléctrico SPARKY possui qualidades que hão de facilitar o seu trabalho. Ao ser fabricado este instrumento eléctrico, maior atenção foi prestada à segurança, às qualidades de exploração e à fiabilidade, as quais fazem dele um instrumento fácil de manutenção e de exploração.



Não deitar o instrumento eléctrico para o lixo comum!

Os resíduos de aparelhos eléctricos não se devem misturar com o lixo comum. Mande-os para reciclagem nos lugares destinados a isso. Ponha-se em contacto com as autoridades locais ou com um representante para consultar a forma de reciclagem.

PROTECÇÃO DO MEIO AMBIENTE



Visando a protecção do meio ambiente, o instrumento eléctrico, os seus acessórios e embalagem têm-de-ser submetidos a uma adequada reelaboração para serem novamente utilizadas as matérias primas contidas neles.

Para facilitar a reciclagem, as peças feitas de materiais sintéticos levam a respectiva denotação.

DESCRIÇÃO DOS SÍMBOLOS

Sobre a chapa com os dados do instrumento eléctrico estão denotados os símbolos especiais que fornecem importante informação sobre o artefacto ou recomendações para o seu uso.



Use sempre óculos protectores



Duplo isolamento para dupla protecção



Ligação rosca do fuso: M10



Ligação rosca do fuso: M14



Conformidade com as directrizes europeias aplicáveis



Conformidade com as exigências dos documentos normativos russos



Conformidade com as exigências dos documentos normativos ucranianos



Conheça a instrução de exploração

YYYY-Www Período de fabrico, onde os símbolos variáveis são:
YYYY - ano de fabrico, ww – a respectiva semana corrente do calendário

M REBARBADORA ANGULAR

II - Dados técnicos

Modelo	M 600	M 650	M 720
▪ Consumo de energia	600 W	650 W	720 W
▪ Rotações ao ralenti	11000 min ⁻¹	11000 min ⁻¹	11000 min ⁻¹
▪ Ligação roscada do fuso	M10	M14	M14
▪ Comprimento da rosca do fuso	20 mm	20 mm	20 mm
▪ Diâmetro interno do disco rebarbador	16	22,23	22,23
▪ Diâmetro máximo do disco rebarbador	100 mm	115 mm	125 mm
▪ Largura máxima do disco rebarbador	6 mm	6 mm	6 mm
▪ Peso (EPTA procedimento 1/2003):	1,2 kg	1,2 kg	1,2 kg
▪ Classe de segurança: (EN 60745-1) <input type="checkbox"/>	II	II	II
INFORMAÇÃO SOB RE RUIDO E VIBRAÇÕES (Os valores foram medidos conforme EN 60745)			
▪ Emanação de ruído			
A-nível medido de pressão sonora L _{pA}	94.2 dB(A)	94.2 dB(A)	94.2 dB(A)
Indefinição K _{pA}	3 dB	3 dB	3 dB
A-nível medido de potência sonora L _{WA}	105.2 dB(A)	105.2 dB(A)	105.2 dB(A)
Indefinição K _{WA}	3 dB	3 dB	3 dB



Utilize meios de protecção do ruído!

▪ Emanação de vibrações*			
<i>Valor global das vibrações (soma vectorial pelos três eixos), determinada conforme EN 60745</i>			
Valor das vibrações produzidas a _{hCHReq}	4,2 m/s ²	4,3 m/s ²	4,5 m/s ²
Indefinição K _{CHReq}	1,5 m/s ²	1,5 m/s ²	1,5 m/s ²
▪ Lixação com lixa			
Valor das vibrações produzidas a _{hCHReq}	3,9 m/s ²	4,0 m/s ²	4,2 m/s ²
Indefinição K _{CHReq}	1,5 m/s ²	1,5 m/s ²	1,5 m/s ²

* As vibrações foram determinadas de acordo com o p. 6.2.7 de EN 60745-1.

O nível das vibrações, indicado neste manual, foi determinado com base no teste indicado por EN 60745 e pode ser utilizado para a comparação de instrumentos eléctricos. O nível das vibrações pode ser utilizado para a avaliação prévia do grau de impacto.

O nível das vibrações declarado refere-se à utilização/função principal do instrumento. Caso o instrumento eléctrico seja utilizado para outros fins, ou forem utilizados outros acessórios, ou o instrumento não for bem tratado, o nível das vibrações diferenciar-se-á do declarado. Em tais casos o nível do impacto pode crescer consideravelmente dentro do período laboral total.

Ao avaliar o nível de impacto das vibrações, é preciso considerar também o tempo em que o instrumento está desligado, ou está ligado, mas sem funcionar. Tal pode diminuir consideravelmente o nível do impacto dentro do período laboral total.

Mantenha o instrumento eléctrico e os acessórios em bom estado. Cuide as mãos quentes durante o trabalho – isto vai diminuir o efeito nocivo do trabalho com instrumentos de vibração elevada.

O pó resultante do processamento dos materiais tais como pinturas com conteúdo de chumbo, certos tipos de madeiras, minerais e metais, pode ser nocivo para a saúde. O contacto directo ou a aspiração do pó pode causar reacções alérgicas e/ou doenças das vias respiratórias do trabalhador ou das pessoas que se encontram perto dele.

Alguns tipos de pó, por exemplo o de carvalho ou de faia consideram-se carcinogénicos, sobretudo em combinação com ingredientes utilizados no processamento da madeira, tais como cromado ou conservantes. O material que contém amianto tem de ser processado só por especialistas

- Quando for possível, utilize sistemas para o desvio do pó.
- Para atingir maior grau de captação do pó, ao trabalhar com o instrumento, utilize aspirador de pó.
- Garanta a boa ventilação do local de trabalho.
- Recomenda-se o uso de máscara anti-pó com filtro da classe P2.

Cumpra as regras vigentes no Seu país referentes ao processamento dos diferentes materiais.

III - Indicações gerais de advertência para ferramentas eléctricas



ATENÇÃO! Devem ser lidas todas as indicações de advertência e todas as instruções. O desrespeito das advertências e instruções apresentadas abaixo pode causar choque eléctrico, incêndio e/ou graves lesões.

Guarde bem todas as advertências e instruções para futura referência.

O termo “Ferramenta eléctrica” utilizado a seguir nas indicações de advertência, refere-se a ferramentas eléctricas operadas com corrente de rede (com cabo de rede) e a ferramentas eléctricas operadas com bateria (sem cabo de rede).

1. SEGURANÇA DA ÁREA DE TRABALHO

- Mantenha a sua área de trabalho sempre limpa e bem iluminada. Desordem ou áreas de trabalho insuficientemente iluminadas podem levar a acidentes.
- Não trabalhar com a ferramenta eléctrica em áreas com risco de explosão, nas quais se encontrem líquidos, gases ou pós inflamáveis. Ferramentas eléctricas produzem faíscas, que podem inflamar pós ou vapores.
- Manter crianças e outras pessoas afastadas da ferramenta eléctrica durante a utilização. No caso de distração é possível que perca o controlo sobre o aparelho.

2. SEGURANÇA ELÉCTRICA

- A ficha de conexão da ferramenta eléctrica deve caber na tomada. A ficha não deve ser modificada de maneira alguma. Não utilizar uma ficha de adaptação junto com ferramentas eléctricas protegidas por ligação a terra. Fichas não modificadas e tomadas apropriadas reduzem o risco de um choque eléctrico.
- Evitar que o corpo possa entrar em contacto com superfícies ligadas a terra, como tubos, aquecimentos, fogões e frigoríficos. Há um risco elevado devido a um choque eléctrico, se o corpo estiver ligado a terra.
- Manter o aparelho afastado de chuva ou humidade. A infiltração de água numa ferramenta eléctrica aumenta o risco de choque eléctrico.
- Não deverá utilizar o cabo para outras finalidades. Jamais utilizar o cabo para transportar a ferramenta eléctrica, para pendurá-la, nem para puxar a ficha da tomada. Manter o cabo afastado de calor, óleo, cantos afiados ou partes do aparelho em movimento. Cabos danificados ou emaranhados aumentam o risco de um choque eléctrico.
- Se trabalhar com uma ferramenta eléctrica ao ar livre, só deverá utilizar cabos de extensão apropriados para áreas exteriores. A utilização de um cabo de extensão apropriado para áreas exteriores

reduz o risco de um choque eléctrico.

- Se não for possível evitar o funcionamento da ferramenta eléctrica em áreas húmidas, deverá ser utilizado um disjuntor de corrente de avaria. A utilização de um disjuntor de corrente de avaria reduz o risco de um choque eléctrico.

3. SEGURANÇA DE PESSOAS

- Esteja atento, observe o que está a fazer e tenha prudência ao trabalhar com a ferramenta eléctrica. Não utilizar uma ferramenta eléctrica quando estiver fadigado ou sob a influência de drogas, álcool ou medicamentos. Um momento de descuido ao utilizar a ferramenta eléctrica, pode levar a lesões graves.
- Utilizar equipamento de protecção pessoal e sempre óculos de protecção. A utilização de equipamento de protecção pessoal, como máscara de protecção contra pó, sapatos de segurança antiderrapantes, capacete de segurança ou protecção auricular, de acordo com o tipo e aplicação da ferramenta eléctrica, reduz o risco de lesões.
- Evitar uma colocação em funcionamento involuntária. Assegure-se de que a ferramenta eléctrica esteja desligada, antes de conectá-la a alimentação de rede e/ou ao acumulador, antes de levantá-la ou de transportá-la. Se tiver o dedo no interruptor ao transportar a ferramenta eléctrica ou se o aparelho for conectado a alimentação de rede enquanto estiver ligado, poderão ocorrer acidentes.
- Remover ferramentas de ajuste ou chaves de boca antes de ligar a ferramenta eléctrica. Uma ferramenta ou chave que se encontre numa parte do aparelho em movimento pode levar a lesões.
- Evite uma posição anormal. Mantenha uma posição firme e mantenha sempre o equilíbrio. Desta forma é mais fácil controlar a ferramenta eléctrica em situações inesperadas.
- Usar roupa apropriada. Não usar roupa larga nem jóias. Mantenha os cabelos, roupas e luvas afastadas de partes em movimento. Roupas frouxas, cabelos longos ou jóias podem ser agarrados por peças em movimento.
- Se for possível montar dispositivos de aspiração ou de recolha, assegure-se de que estejam conectados e utilizados correctamente. A utilização de uma aspiração de pó pode reduzir o perigo devido ao pó.

4. UTILIZAÇÃO E MANUSEIO CUIDADOSO DE FERRAMENTAS ELÉCTRICAS

- Não sobrecarregue o aparelho. Utilize a ferramenta eléctrica apropriada para o seu trabalho. É melhor e mais seguro trabalhar com a ferramenta eléctrica apropriada na área de potência indicada.
- Não utilizar uma ferramenta eléctrica com um interruptor defeituoso. Uma ferramenta eléctrica que não pode mais ser ligada nem desligada, é perigosa e deve ser reparada.
- Puxar a ficha da tomada e/ou remover o acumulador antes de executar ajustes no aparelho, de substituir acessórios ou de guardar o aparelho. Esta medida de segurança evita o arranque involun-

tário da ferramenta eléctrica.

- d) Guardar ferramentas eléctricas não utilizadas fora do alcance de crianças. Não permita que pessoas que não estejam familiarizadas com o aparelho ou que não tenham lido estas instruções, utilizem o aparelho. Ferramentas eléctricas são perigosas se forem utilizadas por pessoas inespertas.
- e) Tratar a ferramenta eléctrica com cuidado. Controlar se as partes móveis do aparelho funcionam perfeitamente e não emperram, e se há peças partidas ou danificadas que possam prejudicar o funcionamento da ferramenta eléctrica. Permitir que peças danificadas sejam reparadas antes da utilização. Muitos acidentes têm como causa, a manutenção insuficiente de ferramentas eléctricas.
- f) Manter as ferramentas de corte afiadas e limpas. Ferramentas de corte cuidadosamente tratadas e com cantos de corte afiados emperram com menos frequência e podem ser conduzidas com maior facilidade.
- g) Utilizar a ferramenta eléctrica, acessórios, ferramentas de aplicação, etc. conforme estas instruções. Considerar as condições de trabalho e a tarefa a ser executada. A utilização de ferramentas eléctricas para outras tarefas a não ser as aplicações previstas, pode levar a situações perigosas.

5. SERVIÇO

- a) Só permita que o seu aparelho seja reparado por pessoal especializado e qualificado e só com peças de reposição originais. Desta forma é assegurada o funcionamento seguro do aparelho.

IV - Regras adicionais de segurança do trabalho com rebarbadoras angulares

Instruções gerais para a lixação com disco abrasivo, com lixa, limpeza com escova de arame, polimento e corte com disco abrasivo:

- a) Esta ferramenta eléctrica pode ser utilizada como máquina de rebarbar com disco abrasivo, com lixa, com escova de arame, máquina de polir e máquina de corte com disco abrasivo. Leia todas as instruções para a segurança do trabalho, indicações e imagens que recebeu junto com a ferramenta. O incumprimento das instruções para a segurança pode provocar lesões pela corrente eléctrica, incêndio e/ou ferimento sério.
- b) Esta ferramenta eléctrica não é adequada para polimento. Operações para as quais a ferramenta não é adequada podem provocar perigo de traumatismo.
- c) Não use acessórios que não são permitidos nem recomendados pelo fabricante especialmente para este instrumento. O facto de que Você pode ajustar acessórios a Sua ferramenta eléctrica não garante o uso seguro da ferramenta.

- d) As rotações nominais do acessório têm de ser pelo menos iguais aos indicados sobre o instrumento rotações máximas. Os acessórios que giram com velocidade maior do que a sua velocidade nominal podem ficar partidos e os seus pedaços a voarem.
- e) O diâmetro externo e o grosso da ferramenta de trabalho têm de ficar nos marcos das dimensões indicadas para a Sua ferramenta eléctrica. Acessórios de dimensões inadequadas não podem ser assegurados e geridos bem.
- f) Discos abrasivos, flanges de compressão, discos elásticos ou outros acessórios têm de encaixar exactamente no fuso da ferramenta. Os acessórios que não encaixam exactamente no fuso do instrumento giram irregularmente, vibram exageradamente e podem causar a perda de controlo.
- g) Não use acessórios danificados. Antes de cada uso revise os acessórios – os discos abrasivos para superfícies dentadas e rachadas, os discos elásticos para rachaduras, rupturas ou desgaste sensível, as escovas de arame para fios afrouxados ou partidos. Se deixar cair a ferramenta ou o acessório ao chão, revise-o por se estiver danificado ou monte um acessório novo. Depois de o acessório ter sido revisado e montado, ponha-se junto com os espectadores num lugar fora da superfície de rotação do acessório e deixe a ferramenta trabalhar ao ralenti às rotações máximas durante 1 minuto. Normalmente esse tempo é suficiente para os acessórios danificados ficarem partidos.
- h) Use meios individuais de protecção. Segundo o caso concreto, use máscara protectora para a cara ou óculos protectores. Caso seja necessário, use máscara anti-pó, meios de protecção do ouvido, luvas protectoras ou avental especial. Os meios de protecção dos olhos têm de proteger das partículas voantes surgidas nas diferentes operações. Os meios de protecção contra o pó e os gases têm de filtrar as partículas que surgem durante o trabalho. A exposição prolongada a ruído forte pode provocar problemas auditivos.
- i) Mantenha os espectadores a uma distância segura da zona de trabalho. Cada pessoa que se encontra na zona de trabalho tem de usar meios individuais de protecção. É possível que aparas voantes da peça processada ou do acessório partido provoquem ferimento mesmo fora da zona imediata de trabalho.
- j) Pegue na ferramenta só pelas superfícies isoladas quando está a realizar qualquer operação na qual o acessório cortante pode ter contacto com instalação eléctrica escondida ou com o cordão próprio. O contacto do acessório cortante com cabo sob tensão colocará também as partes metálicas descobertas sob tensão e o operário pode sofrer um choque eléctrico.
- k) Mantenha o cabo alimentador fora do alcance do acessório girando. Se perder o controlo sobre a ferramenta, o cabo alimentador pode ficar cortado ou levar a Sua palma ou a Sua mão para a área de rotação do instrumento.
- l) Nunca deixe a ferramenta antes de o acessório ter parado definitivamente a rotação. O acessório

girando pode apanhar o material processado y Você perder o controlo sobre a ferramenta.

- m) Não deixe a ferramenta trabalhar enquanto a estiver transportando. *Contacto casual do acessório girando com a Sua roupa pode apanhá-la e assim causar dano ao Seu corpo.*
- n) Limpe regularmente as aberturas de ventilação da ferramenta. *O ventilador do motor aspira pó no corpo do instrumento e a acumulação exagerada de pó de metal pode provocar risco de ferimento da corrente eléctrica.*
- o) Não use a ferramenta perto de materiais inflamáveis. *As faíscas podem acender esses materiais.*
- p) Não use acessórios o trabalho com os quais exige substâncias líquidas de resfriamento. *O uso de água ou outras substâncias de resfriamento pode causar avaria ou choque eléctrico.*
- A ferramenta tem de se usar só para o que for destinada. Qualquer outro uso diferente do que está descrito nesta instrução considerar-se-á uso incorrecto. *A responsabilidade de qualquer avaria ou ferimento que decorrem do uso incorrecto será assumida pelo consumidor e não pelo fabricante.*
 - O fabricante não assume a responsabilidade pelas alterações feitas na ferramenta pelo consumidor, nem pelas avarias que decorrem dessas alterações.
 - Ao trabalhar em ambiente poeirento, as aberturas de ventilação da ferramenta têm de se manter limpas. Caso seja necessário limpá-las do pó acumulado, primeiro desligue o instrumento da rede e use objectos não metálicos para limpar o pó procurando não danificar as peças internas da ferramenta. *A ferramenta vai ficar sobreaquecido ao diminuir o resfriamento devido à acumulação de pó nas aberturas de ventilação.*
 - A ferramenta não tem de ser usada ao ar livre em tempo de chuva, em ambiente húmido (depois de chuva) ou perto de líquidos facilmente inflamáveis. *O local de trabalho tem de ficar bem iluminado.*

Outras instruções de segurança de todas as operações

Ricochete (impacto contrário) e as instruções de segurança relacionadas com ele

Ricochete é a reacção repentina em resultado de congestionamento ou bloqueamento dum acessório, digamos, disco abrasivo, disco elástico, escova de arame, etc. O congestionamento ou bloqueamento produz a paragem repentina da rotação do acessório, o qual, por sua vez, empurra a ferramenta não controlada para o sentido contrário ao do sentido da rotação do instrumento no ponto do congestionamento.

Por exemplo, se o disco abrasivo ficar congestionado ou bloqueado na peça, a borda do disco abrasivo inserido na peça fica ali e depois o disco pode-se partir ou provocar ricochete. O disco abrasivo salta no sentido para o operário ou no sentido contrário dependendo isto do sentido da rotação do disco no lugar do bloqueamento. Nestas circunstâncias é possível os discos abrasivos ficarem partidos. O ricochete é o resultado do uso e/

ou exploração ou condições de trabalho incorrectos e pode ser evitado observando as medidas de segurança a seguir:

- a) Pegue na ferramenta bem, ocupe posição adequada e mantenha as mãos de modo que possa dominar a força do ricochete. Use sempre a manipula adicional, se a ferramenta for provida de tal para ter o maior controlo possível sobre a força do ricochete ou sobre o momento de reacção na altura do accionamento. *Mediante medidas de protecção adequadas, o operário pode dominar o momento de reacção e o ricochete.*
- b) Nunca ponha as mãos perto do acessório girando. *O acessório pode saltar sobre a Sua mão.*
- c) Não fique na área da eventual deslocação da ferramenta em caso de ricochete. *O ricochete movimenta o instrumento em sentido contrário ao do movimento do disco abrasivo no lugar do bloqueamento.*
- d) Quando está a processar ângulos, bordas afiadas, etc. trabalhe com a atenção elevada. Não permita que o acessório salte ou bloqueie a peça. *No trabalho com ângulos, bordas afiadas, etc. existe o perigo de o acessório que gira fique congestionado e provoque perda de controlo ou ricochete.*
- e) Não use discos em cadeia ou circulares para processar madeira. *Esses acessórios provocam frequentemente ricochete ou perda de controlo sobre o instrumento.*
 - Fixe a peça processada em grampo ou de outro modo adequado.

Instruções específicas para a segurança do trabalho de lixação e corte com disco abrasivo.

- a) Use só os tipos de discos com o respectivo protector recomendados para a ferramenta. *Discos que não foram fabricados para esse instrumento não podem ser devidamente protegidos e não são seguros.*
- b) O protector tem de se fixar bem ao instrumento e estar disposto de modo que garanta a segurança máxima, i.e. uma parte mínima possível do disco ficar aberta para com o operário. *O protector tem de proteger o operário de partículas voantes, contacto casual com o disco e faíscas que poderiam incendiar a roupa.*
- c) Os discos têm de ser usados apenas para as aplicações recomendadas. Por exemplo, nunca lixe com a superfície lateral dum disco cortante. *Os discos cortantes são destinados a remoção de material com a borda do disco. Ao exercer pressão lateral sobre um disco deste tipo, ele pode ficar partido.*
- d) Use sempre flanges de compressão perfeitos de dimensão e forma adequadas para o disco escolhido. *Os flanges de compressão correctamente escolhidos fixam o disco e diminuem o perigo de ele ficar partido. Os flanges de compressão para discos cortantes podem ser diferentes dos flanges de compressão para outros discos.*
- e) Não use discos gastos de ferramentas eléctricas maiores. *O disco para uma ferramenta maior não é adequado para as rotações mais aceleradas duma ferramenta menor e pode ficar partido.*
 - Sempre observe o sentido de rotação do disco. *A força de reacção é contrária ao sentido da*

rotação no lugar de lixação ou corte, sendo uma premissa para a perda de controlo sobre a ferramenta.

- Mantenha sempre a ferramenta de modo que as faíscas e o pó se dispersarem longe do corpo humano. As ferramentas eléctricas produzem faíscas que podem queimar a roupa ou as partes de protegidas do corpo.
- Não se admite lixação e corte de construções metálicas recém-pintadas antes de a pintura ter secado. Existe o perigo de a pintura ainda sem secar incendiar-se.
- Não se admite cortar materiais inflamáveis (madeira, plásticos, etc.) e de construções pré-fabricadas do tipo "sandwich" com recheio inflamável. Existe o perigo de incêndio.
- Não se admite lixação e corte de equipamentos que trabalham sob pressão. Existe o perigo de explosão.
- Não se admite lixação e corte de tanques, tubagens, aparelhos, etc. nos quais há ou tem havido substâncias e materiais inflamáveis, sem ter tomado previamente as respectivas medidas de segurança contra incêndio e explosão. Existe o perigo de incêndio ou explosão.

Instruções específicas para a segurança do trabalho de corte com disco abrasivo:

- a) Evite congestionamento do disco cortante ou aplicação duma pressão exagerada. Não tente fazer cortes profundos de mais. A sobrecarga no disco cortante aumenta o seu desgaste e a sua susceptibilidade para torcimento ou bloqueamento, daí a possibilidade de ricochete ou fractura do disco.
- b) Não fique na zona diante ou detrás do disco girando. Se o disco cortante no lugar do corte se vai afastando do Seu corpo, no caso dum eventual ricochete empurraria o instrumento com o disco girando directamente para o Seu corpo.
- c) Caso o disco cortante tenha ficado congestionado ou por alguma razão Você tenha interrompido o trabalho, desligue a ferramenta e mantenha-o imóvel até o disco ter deixado de girar definitivamente. Nunca tente retirar o disco da secção enquanto girar, pois no caso contrário pode provocar ricochete. Descubra e elimine a causa do congestionamento.
- d) Nunca ligue de novo a ferramenta enquanto o disco cortante se encontrar ainda dentro da peça. Deixe o disco cortante atingir as suas rotações máximas antes de introduzi-lo com cuidado da secção. Caso contrário, o disco pode ficar congestionado, escorregar da peça ou saltar para trás.
- e) Assegure com suportes adicionais as lajes ou peças de maiores dimensões para diminuir o risco de congestionamento e ricochete. As peças de maiores dimensões ficam inclinadas em resultado do seu próprio peso. A peça tem de se apoiar pelos dois lados do disco, tanto perto da secção, como também nos seus extremos.
- f) Esteja especialmente alerta ao cortar canais em paredes existentes ou noutras superfícies muradas. O disco que sobressai para frente pode cortar tubagens de gás ou de água, instalação eléctrica ou outros objectivos, o qual pode provocar ricochete.

Instruções específicas de segurança do trabalho com escovas de arame:

- a) Tenha em conta que num processo de trabalho normal da escova de arame caem fios de arame. Não sobrecarregue os fios ao apertar exageradamente a escova. Os fios de arame voantes podem penetrar na roupa fina e/ou na pele.
- b) Se no trabalho com escova de arame se recomenda o uso de protector, não admita que o protector e a escova de arame em forma de disco ou de taça entrem em contacto. As escovas de arame em forma de disco ou de taça podem aumentar o seu diâmetro sob a influência da pressão durante o trabalho ou de forças centrífugas.

V - Conhecimento da ferramenta eléctrica

Antes de começar a trabalhar com a ferramenta, conheça todas as suas particularidades operacionais e as condições de segurança.

Use a ferramenta somente para o que for destinada. Qualquer outro uso fica terminantemente proibido.

1. Fuso
- 2.1. Protector do disco rebarbador
- 2.2. Protector do disco cortante*
3. Flange de apoio
- 4.1. Disco rebarbador (usar somente com protector de disco rebarbador)*
- 4.2. Disco cortante (usar somente com protector de disco cortante)*
5. Flange apertador
6. Manípulo complementar
7. Interruptor
8. Botão de afiação do fuso.

ACESSÓRIOS QUE PODEM SER USADOS COM ESTA FERRAMENTA*

9. Escova de arame
10. Discos abrasivos de corte e rebarbagem
11. Lamela de rebarbagem
12. Manípulo anti-vibrações

* Os acessórios principais que podem ser usados com esta ferramenta e oferecidas pela SPARKY aparecem na pág. 96-99 com os seus números de catálogo, mas não estão incluídos no conjunto suministrado.

VI - Instruções para o trabalho

Esta ferramenta eléctrica alimenta-se só por tensão monofásica variável. Pode-se ligar a contactos sem braçadeiras de segurança, pois tem duplo isolamento de acordo com EN 60745-1 e IEC 60745-1. As interferências de rádio correspondem à Directriz de compatibilidade electromagnética 2004/108/EC.

Esta ferramenta é destinada para cortar, rebarbar e escovar principalmente metais sem usar água..

ANTES DE COMEÇAR O TRABALHO

- A ferramenta pode vir com o protector montado na fábrica. Verifique se o protector foi montado correctamente e bem afixado, antes da primeira posta em marcha em depois de cada uso seguinte.
- A ferramenta pode vir com o disco montado na fábrica. Verifique se o disco foi montado correctamente e bem afixado, antes da primeira posta em marcha em depois de cada uso seguinte.
- Verifique se a tensão na rede eléctrica corresponde à da que está indicada sobre a chapa dos dados técnicos da ferramenta.
- Verifique se a posição se encontra o interruptor. A ferramenta tem de se conectar e desconectar da rede alimentadora somente com o interruptor desconectado. Se colocar a ficha no contacto com o interruptor na posição de conectado, a ferramenta vai arrancar imediatamente, o qual constitui uma premissa para acidente.
- Convença-se da perfeição do cabo alimentador e da ficha.. Se o cabo estiver avariado, a substituição tem de se fazer pelo fabricante ou pelo seu especialista no serviço, para se evitarem os eventuais riscos.



ADVERTÊNCIA: Desligue a ferramenta da rede retirando a ficha antes de executar qualquer trabalho sobre ela ou no caso de queda da tensão alimentadora.

- Verifique se o diâmetro e o grosso do disco não ultrapassam os indicados nos dados técnicos. A velocidade periférica admissível não tem de ser inferior aos 80m/s. Os discos têm de ser armazenados de acordo com as instruções dadas pelo fabricante.
- Caso a zona de trabalho se encontrar longe da rede de alimentação, use extensão quanto mais curta possível que tenha secção adequada.
- Verifique se a manipula complementar foi correctamente posta e bem apertada.

PROTECTOR DO DISCO



ADVERTÊNCIA: O protector (2.1) do disco rebarbador ou o protector (2.2) do disco cortante (respectivamente do disco rebarbador 4.1. ou do disco cortante 4.2.) tem de estar sempre montado na máquina!

A sua posição é diferente de acordo com a parte em que foi montada a manipula complementar ou quando a ferramenta vai ser montada num estante.

INSTRUÇÕES PARA A MONTAGEM DO PROTECTOR

Antes de efectuar as seguintes operações, a ferramenta tem de estar desconectada de rede mediante a ficha.

1. Colocação do protector

- Abra a alavanca de apertar (15) e eventualmente afrouxe o parafuso (16). (Fig.1)
- Coloque o protector (2) de modo que a tampa (14)

do protector coincide com a ranhura (17) e aperte-o para baixo para que entre no canal (18) em volta do encaixe do rolamento. (Fig..2a, b)

- Aperte o parafuso (16) para eliminar o espaço entre o anel do protector e o encaixe do rolamento de modo que exista a possibilidade de rolarem levemente entre si.
- Gire o protector para a posição desejada.
- Feche a alavanca de apertar (15 para afixar o protector.
- Caso seja necessário, repita a operação de eliminar o espaço entre a argola do protector e o encaixe do rolamento .

2. Rotação do protector para nova posição operacional

- Abra a alavanca de apertar(15).
- Gire o protector para a nova posição operacional.
- Feche a alavanca de apertar(15).

COLOCAÇÃO DO DISCO

O fuso (1) da rebarbadora afixa-se apertando o botão (8) que se encontra sobre a caixa redutora da ferramenta.



ADVERTÊNCIA: Não se admite apertar o botão (8) enquanto o fuso estiver a girar.

- Coloque o flange de apoio (3) com as ranhuras para baixo (Fig.3)
- Coloque o disco (4) exactamente acima do flange de apoio com os letreiros para baixo (Fig.4)
- Coloque o flange de apertar(5) com a parte chata para o disco (4) e enrole-o manualmente. Coloque a chave bicorna nas aberturas do flange de apertar (5). (Fig.5)
- Sendo apertado o botão de afixação do fuso (8), aperte bem o flange de apertar (5) com a chave bicorna. (Fig. 6a,b)

Depois de colocar o disco, ponha a ferramenta em marcha com o novo disco por volta de um minuto sem carga. Os discos que vibram o giram de modo irregular, têm de ser imediatamente substituídos.

A escova de metal (9) enrola-se directamente sobre o fuso (1) com a ajuda de chave inglesa. (Verifique se o comprimento da rosca da escova é suficiente para abranger a rosca do fuso).

MANÍPULA COMPLEMENTAR

Normalmente a manipula complementar (6) enrola-se na parte esquerda da ferramenta. Ela pode ser enrolada também na parte direita, caso isto seja mais confortável do operador

ARRANCO - PARAGEM

Arranco: O deslizador do interruptor(7) aperta-se pela parte de tras e depois desliza-se para frente no sentido indicado pela seta até que a sua parte dianteira se afunde e fique afixada.

Paragem: O extremo traseiro elevado do interruptor (7) aperta-se e deixa-se livremente para regressar para tras até à posição inicial.



ADVERTÊNCIA: Em caso de baixas temperaturas ou se a ferramenta tem estado muito tempo sem trabalhar, conecte-a e deixe-a trabalhar ao ralenti por volta de um minuto para estabelecer o seu regime normal de trabalho. Assim melhora a lubrificação e prolonga-se a vida da ferramenta.

RECOMENDAÇÕES

Ao trabalhar com disco cortante, não apertar, nem mover o disco transversalmente à secção. Trabalhar com avanço moderado, adequado para o material processado.

É importante o sentido no qual se corta. A ferramenta tem de trabalhar sempre no sentido contrário à rotação do disco. Não mover o instrumento noutra direcção, porque existe o perigo de exercer pressão fora do corte (Fig. 7).

Ao cortar perfis e tubos quadrangulares, é melhor iniciar o corte do lado mais pequeno.

Ao rebarbar, não apertar a ferramenta sobre a superfície processada, mas mover o disco levemente para frente e para trás. Os metais ligeiros processam-se com discos especiais. O melhor resultado da rebarbagem tosca obtém-se sob inclinação de 30°-40° entre o disco e a superfície processada. No caso da rebarbagem tosca não se admite o uso de discos para corte. Não se recomenda o uso de discos com grosso maior de 6 mm.

VII - Manutenção



ADVERTÊNCIA: Desligue sempre o instrumento tirando o pino de tomada da rede antes de cada revisão ou trabalho de manutenção.

SUBSTITUIÇÃO DAS ESCOVAS

Quando ficarem desgastadas, as duas escovas têm de ser substituídas ao mesmo tempo por escovas originais na oficina de serviço da SPARKY para manutenção dentro do prazo de garantia e fora dele.

REVISÃO GERAL

Revise regularmente todos os elementos de suporte e convença-se de que estão bem apertados. Caso algum dos parafusos tenha ficado afrouxado, aperte-o imediatamente para evitar situações de risco.

Caso o cabo alimentador esteja danificado, a substituição tem-de se fazer pelo produtor ou seu representante, para evitar os riscos da substituição.

LIMPEZA

Para a segurança do trabalho mantenha sempre limpas a máquina e as aberturas de ventilação. Revise regularmente se na grade da ventilação perto do motor ou ao redor dos interruptores não têm penetrado po ou corpos alheios. Utilize escova fina para eliminar o po acumulado. Para proteger os olhos, ao realizar tal operação, leve óculos protectores.

Caso o corpo da máquina precise de limpeza, faça-a com um pano fino húmido. Pode utilizar algum detergente fraco.



ADVERTÊNCIA: Não se admite o uso de álcool, gasolina ou outros dissolventes. Não use produtos corrosivos para limpeza das partes plásticas.



ADVERTÊNCIA: Não ponha o instrumento em contacto com a água.

IMPORTANTE! Para garantir a segurança do trabalho com este instrumento e sua longa vida, todas as actividade relacionadas com a reparação, a manutenção e o regulamento (incluindo a revisão e substituição das escovas) têm de se realizar por pessoas competentes no respectivo serviço autorizado de assistência, em prazo de garantia e fora dele, de instrumentos manuais SPARKY e utilizando só sobresselentes originais.

VIII - Garantia

O prazo de garantia dos instrumentos eléctricos SPARKY está indicado no cartão de garantia. Problemas surgidos em resultado do desgaste natural, sobrecarga ou utilização incorrecta, ficam excluídos dos deveres da garantia. Os problemas surgidos devido ao uso de materiais de baixa qualidade e/ou erros de fabricação, eliminam-se sem pagamento adicional mediante substituição ou reparação.

Reclamação por um instrumento eléctrico SPARKY defeituoso reconhece-se quando o instrumento for devolvido ao distribuidor ou for levado a uma oficina autorizada de assistência em prazo de garantia no seu estado inicial (montado).

Observações

Leia atentamente toda a instrução para o uso, antes de começar a trabalhar com este aparelho.

O fabricante reserva-se o direito de introduzir melhoras e modificações nos seus aparelhos, bem como modificar as especificações sem aviso.

As especificações podem variar de país para país.

Spis treści

I - Wstęp	57
II - Dane techniczne	59
III - Ogólne instrukcje bezpieczeństwa przy pracy z elektronarzędziami	60
IV - Instrukcje bezpieczeństwa przy pracy szlifierkami kątowymi	61
V - Opis elektronarzędzia	A/63
VI - Obsługa	63
VII - Konserwacja	65
VIII - Gwarancja	65

ROZPAKOWANIE

Ze względu na nowoczesne metody produkcji masowej, istnieje niewielkie prawdopodobieństwo, iż zakupione przez Państwa narzędzie jest wadliwe, bądź niekompletne. W przypadku stwierdzenia jakichkolwiek nieprawidłowości, nie uruchamiać narzędzia do chwili wymiany części lub usunięcia usterki. Niezastosowanie się do tego zalecenia może skutkować poważnym uszkodzeniem ciała.

MONTAŻ

Szlifierka kąтова jest dostarczana w opakowaniu i zmontowana, z wyjątkiem osłony tarczy oraz uchwytu dodatkowego.

I - Wstęp

Zakupione przez Państwa elektronarzędzie marki SPARKY spełni nawet najbardziej wygórowane oczekiwania użytkownika. Zostało ono wyprodukowane z zachowaniem rygorystycznych norm jakościowych SPARKY, aby zagwarantować doskonałe parametry pracy. Przekonają się Państwo, że Wasze nowe narzędzie jest łatwe i bezpieczne w obsłudze i, przy zachowaniu odpowiednich zasad użytkowania, będzie Wam niezawodnie służyć przez wiele lat.

OSTRZEŻENIE!



Przed przystąpieniem do eksploatacji zakupionego przez Państwa elektronarzędzia SPARKY należy uważnie zapoznać się z całością niniejszej Instrukcji obsługi. Ze szczególną uwagą należy traktować Ostrzeżenia. Elektronarzędzie SPARKY posiada wiele cech, które przyspieszą i ułatwią wykonywaną przez Państwa pracę. Podczas prac nad narzędziem szczególną uwagę poświęcono kwestiom bezpieczeństwa, wydajności i niezawodności, dzięki którym urządzenie jest łatwe w obsłudze.



Nie wyrzucać produktów elektrycznych razem z odpadami z gospodarstw domowych!

Zużyte artykuły elektryczne nie powinny być wyrzucane wraz z odpadami z gospodarstw domowych. Należy je utylizować w przeznaczonych do tego miejscach. Informacji na temat utylizacji udzielają władze lokalne bądź sprzedawcy.

OCHRONA ŚRODOWISKA



Używając urządzenie, osprzęt i opakowanie należy poddać poszczególnym elementom sortowaniu z myślą o ochronie środowiska naturalnego.

Elementy plastikowe zostały odpowiednio oznaczone, aby umożliwić utylizację według odpowiedniej klasyfikacji odpadów.

OPIS SYMBOLI

Na tabliczce znamionowej narzędzia mogą znajdować się symbole oznaczające ważne informacje o produkcie lub instrukcji jego użytkowania.



Stosować okulary ochronne



Izolacja podwójna zabezpieczenia dodatkowego



Gwint łącznikowy wrzeciona M10



Gwint łącznikowy wrzeciona M14



Zgodny z odpowiednimi dyrektywami europejskimi



Zgodność z wymogami rosyjskich dokumentów normatywnych



Zgodność z wymogami ukraińskich dokumentów normatywnych



Zapoznać się z instrukcją obsługi


YYYY-Www

Okres produkcji, w którym zmiennymi symbolami są:
YYYY - roku produkcji, ww – tydzień kalendarzowy

M

SZLIFIERKA KĄTOWA

II - Dane techniczne

Model	M 600	M 650	M 720
▪ Moc	600 W	650 W	720 W
▪ Prędkość obrotowa bez obciążenia	11000 min ⁻¹	11000 min ⁻¹	11000 min ⁻¹
▪ Gwint łącznikowy wrzeciona	M10	M14	M14
▪ Długość gwintu wrzeciona	20 mm	20 mm	20 mm
▪ Średnica wewnętrzna tarczy szlifierskiej	16	22,23	22,23
▪ Maksymalna średnica tarczy szlifierskiej	100 mm	115 mm	125 mm
▪ Maksymalna grubość tarczy szlifierskiej	6 mm	6 mm	6 mm
▪ Waga (wg procedury EPTA 01/2003)	1,2 kg	1,2 kg	1,2 kg
▪ Klasa bezpieczeństwa (EN 60745-1) 	II	II	II
INFORMACJA NA TEMAT HAŁASU I DRGAŃ (Wartości mierzone określono według EN 60745.)			
▪ Emisja hałasu			
A- zważony poziom ciśnienia dźwięku L _{PA}	94,2 dB(A)	94,2 dB(A)	94,2 dB(A)
Nieokreśloność K _{PA}	3 dB	3 dB	3 dB
A- zważony poziom natężenia dźwięku L _{WA}	105,2 dB(A)	105,2 dB(A)	105,2 dB(A)
Nieokreśloność K _{WA}	3 dB	3 dB	3 dB



Stosować środki ochrony przed hałasem!

▪ **Emisja drgań ***

Wartość sumy drgań (suma wektorowa z trzech kierunków) wyznaczono według EN 60745:

▪ Szlifowanie powierzchni

Wartość emitowanych drgań a_{h,AG}

Nieokreśloność K_{AG}

▪ Szlifowanie papierem ściernym

Wartość emitowanych drgań a_{h,DS}

Nieokreśloność K_{DS}

* Drgania określone zgodnie z p. 6.2.7 normy EN 60745-1.

Podany w niniejszej instrukcji poziom drgań został zmierzony zgodnie z określoną przez normę EN 60745 procedurą i może być używany do porównywania urządzeń. Może być stosowany do wstępnego określenia ekspozycji.

Deklarowany poziom emisji drgań odnosi się do głównego zastosowania urządzenia. Jeżeli urządzenie zostanie przeznaczone do innych zastosowań, z innym osprzętem lub nie będzie należycie konserwowane, poziom emisji wibracji może się różnić. Może to znacznie zwiększyć poziom ekspozycji w łącznym czasie pracy.

Aby dokładnie określić poziom ekspozycji na drgania, należy także brać pod uwagę okresy gdy urządzenie jest wyłączone, lub gdy nawet jest włączone, ale nie wykorzystywane do pracy. Może to znacznie obniżyć poziom ekspozycji na drgania w łącznym czasie pracy.

Chronić urządzenie oraz osprzęt oraz dbać o zapewnienie ciepła dłoniom podczas pracy w celu obniżenia szkodliwego wpływu drgań.

Inne zastosowania takie jak cięcie lub szcztokowanie mogą mieć inne wartości emisji drgań.

Pył z takich materiałów jak np. farba zawierająca ołów, niektóre gatunki drewna, minerały oraz metal może być szkodliwy. Kontakt lub inhalacja pyłów może spowodować reakcje alergiczne i/lub choroby układu oddechowego u operatora lub osób znajdujących się w bezpośredniej bliskości.

Pewne odmiany pyłów sklasyfikowane są jako rakotwórcze np. pył dębowy czy bukowy w szczególności w połączeniu z dodatkami zawierającymi chromaty i środki konserwujące. Materiały zawierające azbest mogą być obrabiane jedynie przez specjalistów.

- Tam gdzie możliwe jest stosowanie odciągu pyłów należy je stosować.
- Miejsce pracy musi być dobrze wentylowane.
- Zaleca się stosowanie maski p.pyłowej lub filtrów klasy P2.

Przestrzegać przepisów krajowych odnośnie obrabianych materiałów.

III - Ogólna instrukcja bezpieczeństwa przy pracy elektronarzędziami



OSTRZEŻENIE! Zapoznać się ze wszystkimi ostrzeżeniami dotyczącymi bezpieczeństwa użytkowania oraz wszystkimi wskazówkami. Niezastosowanie się do ostrzeżeń i wskazówek może spowodować porażenie prądem, pożar i/lub poważne obrażenia ciała

Przechowywać wszystkie ostrzeżenia i wskazówki, aby umożliwić odwołanie się do nich w przyszłości.

Pojęcie „elektronarzędzie” używane w ostrzeżeniach odnosi się do elektronarzędzia zasilanego z sieci (przewodowego) lub elektronarzędzia z zasilaniem akumulatorem (beprzewodowego).

1) BEZPIECZEŃSTWO MIEJSCA PRACY

- Utrzymywać czystość i dobre oświetlenie miejsca pracy. Nieporządek i niedostateczne oświetlenie sprzyja wypadkom.
- Nie używać elektronarzędzi w otoczeniu zagrożonym wybuchem, jak na przykład w obecności łatwopalnych cieczy, gazów czy pyłów. Elektronarzędzia wytwarzają iskry, które mogą spowodować zapalenie się pyłów lub oparów.
- Podczas użytkowania elektronarzędzia zadbać, aby dzieci i inne osoby postronne nie znajdowały się w pobliżu. Odwrócenie uwagi może spowodować utratę kontroli nad narzędziem.

2) BEZPIECZEŃSTWO ELEKTRYCZNE

- Wtyczka elektronarzędzia musi pasować do gniazda. Nie wolno zmieniać wtyczki w jakikolwiek sposób. Nie wolno używać przejściówek w przypadku elektronarzędzi wyposażonych w uzziemienie. Niezmodyfikowane wtyczki i pasujące gniazda zmniejszają ryzyko porażenia prądem.
- Należy unikać kontaktu z uziemionymi powierzchniami, takimi jak rury, grzejniki, piece i lodówki. Ryzyko porażenia prądem jest większe, gdy ciało użytkownika jest uziemione.
- Nie wystawiać elektronarzędzi na działanie deszczu lub wilgoci. Przedostanie się wody do elektronarzędzia podwyższa ryzyko porażenia prądem.
- Nie używać przewodu do innych celów. Nie używać przewodu do noszenia lub ciągnięcia elektronarzędzia, ani też wyciągać wtyczki z gniazodka pociągając za przewód. Przewód należy chronić przed wysokimi temperaturami, działaniem oleju, ostrych krawędzi lub ruchomych części urządzenia. Uszkodzone lub poplątane przewody zwiększają ryzyko porażenia prądem.
- W przypadku korzystania z elektronarzędzia pod gołym niebem, należy używać przedłużacza przeznaczonego do pracy na zewnątrz. Użycie właściwego przedłużacza (dostosowanego do pracy

na zewnątrz) zmniejsza ryzyko porażenia prądem.

- Jeżeli stosowanie elektronarzędzia w wilgotnym otoczeniu jest nieuniknione, należy użyć zasilania zabezpieczonego wyłącznikiem różnicowo-prądowym. Zastosowanie wyłącznika różnicowo-prądowego zmniejsza ryzyko porażenia prądem.

3) BEZPIECZEŃSTWO OSÓB

- Podczas pracy z elektronarzędziem należy zachować ostrożność, każdą czynność wykonywać uważnie i z rozwagą. Nie należy używać elektronarzędzia w stanie zmęczenia lub pod wpływem narkotyków, alkoholu bądź leków. Moment nieuwagi przy użyciu elektronarzędzia może stać się przyczyną poważnych urazów ciała.
- Należy korzystać z osobistego wyposażenia ochronnego. Zawsze nosić okulary ochronne. Osobiste wyposażenie ochronne, takie jak maska przeciwpyłowa, buty ochronne na spodach przeciwpoślizgowych, kask ochronny lub środki ochrony słuchu, stosowane w zależności od panujących warunków, zmniejszy ryzyko doznania obrażeń ciała.
- Należy unikać niezamierzonego uruchomienia narzędzia. Przed podłączeniem do źródła zasilania i/lub akumulatora, a także przed podniesieniem lub przeniesieniem elektronarzędzia, należy upewnić się, że elektronarzędzie jest wyłączone. Trzymanie palca na wyłączniku podczas przenoszenia elektronarzędzia lub podłączenie do prądu włączonego narzędzia, może stać się przyczyną wypadków.
- Przed włączeniem elektronarzędzia, należy usunąć klucze nastawcze lub nasadowe. Klucz znajdujący się w ruchome części urządzenia może doprowadzić do obrażeń ciała.
- Unikać pracy poza naturalnym zasięgiem operatora. Dbać o stabilną pozycję przy pracy i zachowanie równowagi. W ten sposób możliwa będzie lepsza kontrola elektronarzędzia w nieprzewidywalnych sytuacjach.
- Należy nosić odpowiednie ubranie. Nie nosić luźnego ubrania ani biżuterii. Włosy, ubranie i rękawice należy trzymać z daleka od ruchomych części. Luźne ubranie, biżuteria lub długie włosy mogą zostać wciągnięte przez ruchome części.
- Jeżeli istnieje możliwość zamontowania urządzeń odsysających i wychwytyjących pył, należy upewnić się, że są one podłączone i będą prawidłowo użyte. Użycie urządzenia odsysającego pył może zmniejszyć zagrożenia związane z emisją pyłu.

4) UŻYTKOWANIE ELEKTRONARZĘDZIA I DBAŁOŚĆ O NIE

- Nie należy przeciążać elektronarzędzia. Używać elektronarzędzia, które jest przeznaczone do danego zastosowania. Odpowiednio dobranym elektronarzędziem lepiej i bezpieczniej wykona się pracę w tempie, do którego zostało ono zaprojektowane.
- Nie należy używać elektronarzędzia, jeśli nie można włączyć go i wyłączyć. Każde elektronarzędzie, którego nie można włączyć lub wyłączyć jest niebezpieczne i musi zostać naprawione.
- Przed dokonywaniem wszelkich regulacji, wy-

mianą osprzętu lub zakończeniem pracy, należy wyciągnąć wtyczkę z gniazda i/lub usunąć akumulator. Ten środek ostrożności ograniczają ryzyko przypadkowego włączenia się elektronarzędzia.

- d) Nieużywane elektronarzędzia należy przechowywać w miejscu niedostępnym dla dzieci i nie zezwalać na postępowanie się nimi osobom, którym nie są one znane, lub które nie zapoznały się z niniejszą instrukcją. Elektronarzędzia w rękach nieprzeszkolonych osób są niebezpieczne.
- e) Konieczna jest należyta konserwacja elektronarzędzia. Należy kontrolować narzędzie pod kątem ustawienia i mocowania ruchomych części, W przypadku powstania uszkodzeń, urządzenie oddać do naprawy przed użyciem. Wiele wypadków spowodowanych jest przez źle utrzymane elektronarzędzia.
- f) Należy stale dbać o ostrość i czystość narzędzi tnących. Odpowiednio utrzymane narzędzia tnące z ostrymi krawędziami tnącymi rzadziej się zakleszczają i łatwiej jest je kontrolować.
- g) Elektronarzędzia, osprzęt, groty itp. winny być używane zgodnie z niniejszą instrukcją, z uwzględnieniem warunków eksploatacyjnych i rodzaju wykonywanej pracy. Niezgodne z przeznaczeniem użycie elektronarzędzia może doprowadzić do niebezpiecznych sytuacji.

5) SERWISOWANIE

- a) Serwisowanie elektronarzędzia należy powierzać wykwalifikowanej osobie, wyłącznie z użyciem identycznych części zamiennych. Zapewni to zachowanie bezpieczeństwa użytkownika elektronarzędzia.

IV - Instrukcje bezpieczeństwa przy pracy szlifierkami kątowymi

Ogólne wskazówki bezpieczeństwa przy szlifowaniu tarczą ścierną, szcztokowanie szcztoką drucianą i cięcie tarczą ścierną:

- a) Niniejsze elektronarzędzie można używać jako szlifierki z tarczą ścierną, szcztoką drucianą i maszyny do cięcia z tarczą ścierną. Przeczytaj wszystkie wskazówki bezpieczeństwa, instrukcje, rysunki i dane, które otrzymałeś razem z maszyną. Nieprzestrzeganie wskazówek bezpieczeństwa może spowodować porażenie prądem.
- b) Niniejsze elektronarzędzie nie może być wykorzystywane do polerowania. Zastosowanie elektronarzędzia do innej, niż przewidziana czynności roboczej, może stać się przyczyną zagrożeń i obrażeń.
- c) Nie stosować osprzętu, który nie jest dozwolony lub zalecony przez producenta specjalnie do tego elektronarzędzia. Sam fakt możliwości przyłączenia osprzętu do urządzenia nie zapewnia bezpiecznego użytkowania.
- d) Nominalna prędkość obrotowa osprzętu musi

być co najmniej równa maksymalnej prędkości nominalnej na urządzeniu. Osprzęt obracający się szybciej od określonej na nim prędkości może pęknąć i rozlecieć się na kawałki.

- e) Zewnętrzna średnica oraz grubość osprzętu roboczego musi zawierać się w zakresie wymiarów Waszego elektronarzędzia. Niewłaściwie dobrany pod względem rozmiarów osprzęt nie może być należyte chroniony lub sterowany.
- f) Tarcze szlifierskie, kołnierze mocujące, tarcze elastyczne lub inny osprzęt muszą dokładnie pasować do wrzeciona elektronarzędzia. Akcesoria niedokładnie pasujące do wrzeciona elektronarzędzia obracają się nierównomiernie, wibrują nadmiernie i mogą spowodować utratę kontroli nad urządzeniem.
- g) Nie używać uszkodzonego osprzętu. Przed każdym użyciem sprawdzić osprzęt: tarcze ścierne pod względem pęknięć i wyszczerbień; tarcze elastyczne (podkładki) - pod względem pęknięć, uszkodzeń gwintu lub nadmiernego zużycia; szcztoki druciane - pod względem poluzowanych i pękniętych drutów. W przypadku upuszczenia elektronarzędzia lub osprzętu, sprawdź pod względem uszkodzeń lub zastosować nieuszkodzony osprzęt. Po sprawdzeniu i zamocowaniu osprzętu, ustaw się wraz z innymi osobami postronnymi poza zasięgiem płaszczyzny obracającego się osprzętu i pozostawić elektronarzędzie, aby pracowało przez minutę na maksymalnych obrotach bez obciążenia. Zwykle ten czas starczy na złamanie się uszkodzonego osprzętu.
- h) Stosować sprzęt ochrony osobistej. W zależności od wykonywanych czynności używać osłony twarzy lub okularów ochronnych. W razie potrzeby stosować maskę przeciwpyłową, ochronniki słuchu, rękawice ochronne lub specjalny fartuch roboczy do zatrzymania drobnych cząsteczek wyrzucanych z osprzętu szlifierki lub obrabianego detalu. Ochrona wzroku powinna móc zatrzymać odpadki powstające przy różnego rodzaju pracach. Maskę przeciwpyłową lub przeciwgazową powinna móc przefiltrować cząsteczki powstające w wyniku pracy urządzeniem. Długa ekspozycja na intensywny hałas może spowodować uszkodzenie słuchu.
- i) Osoby postronne powinny znajdować się w bezpiecznej odległości od miejsca pracy. Każda osoba znajdującą się w obrębie pracy powinna stosować wyposażenie ochrony osobistej. Fragmenty obrabianego materiału lub uszkodzonego osprzętu mogą spowodować obrażenia także poza bezpośrednim miejscem pracy.
- j) Podczas prac, przy których elektronarzędzie mogłoby natrafić na ukryte przewody elektryczne lub na własny przewód, należy je trzymać tylko za izolowaną rękkość. Pod wpływem kontaktu osprzętu z przewodami będącymi pod napięciem, wszystkie części metalowe elektronarzędzia mogą również znaleźć się pod napięciem i spowodować porażenie prądem operatora.
- k) Chronić przewód zasilania poza obrębem obracającego się osprzętu. W wypadku utraty kontroli, przewód może zostać przecięty lub zaczepiony i

wciągnięty wraz z ręką operatora do obracającego się osprzętu.

- I) **Nigdy nie odkładać elektronarzędzia, zanim osprzęt nie zostanie całkowicie unieruchomiony.** Obracający się osprzęt może wkręcić obrabiany materiał powodując utratę kontroli nad elektronarzędziem.
- m) **Nie przenosić pracującego elektronarzędzia.** Przypadkowy kontakt obracającego się osprzętu z ubraniem może je wciągnąć i spowodować uszkodzenie ciała.
- n) **Oczyszczacz regularnie otwory wentylacyjne elektronarzędzia.** Wentylator elektronarzędzia zasyssa pył do korpusu, a nadmiernie nagromadzenie pyłu metalowego może spowodować zagrożenie porażeniem prądem elektrycznym.
- o) **Nie używać elektronarzędzia w pobliżu materiałów łatwopalnych.** Iskry mogą spowodować ich zapłon.
- p) **Nie stosować osprzętu wymagającego chłodzenia cieczą.** Stosowanie wody lub innych płynów chłodzących może spowodować porażenie prądem.
 - **Elektonarzędzie może być stosowane wyłącznie zgodnie z przeznaczeniem.** Każde zastosowanie inne niż opisane w niniejszej instrukcji będzie traktowane jako niezgodne z przeznaczeniem. Użytkownik, a nie producent będzie odpowiedzialny za wszelkie uszkodzenia lub obrażenia wynikłe z użycia niezgodnego z przeznaczeniem.
 - **Producent wyklucza wszelką odpowiedzialność w przypadku dokonania jakichkolwiek zmian w urządzeniu przez użytkownika oraz uszkodzeń wynikłych z tych zmian.**
 - **Podczas pracy w zapyłonym środowisku, należy dbać o czystość otworów wentylacyjnych elektronarzędzia.** W przypadku konieczności oczyszczenia pyłu, należy w pierwszej kolejności odłączyć elektronarzędzie od zasilania, a usuwania pyłu należy stosować przyrządy niemetaliczne, uważając, by nie uszkodzić detali wewnętrznych. Elektronarzędzie ulegnie przegrzaniu w wyniku osłabienia chłodzenia spowodowanego zapyleniem otworów wentylacyjnych.

Dalsze instrukcje bezpieczeństwa do wszystkich zastosowań.

**Odbicie uruchomionego elektronarzędzia i związa-
nie z tym wskazówki bezpieczeństwa.**

Odbicie elektronarzędzia występuje w wyniku zakleszczenia lub zablokowania obracającej się tarczy, tarczy elastycznej (podkładek), szczołek drucianych lub innych akcesoriów w obrabianym materiale. Zablokowanie powoduje gwałtowne zatrzymanie obracającego się osprzętu, co sprawia, że elektronarzędzie w sposób niekontrolowany zostaje gwałtownie odrzucone w kierunku przeciwnym do obrotów osprzętu w punkcie zakleszczenia.

Na przykład, jeśli tarcza szlifująca zahaczy się lub zablokuje w obrabianym materiale, krawędź zablokowanej tarczy zagłębiając się w materiale zostaje unieruchomiona i może ulec złamaniu lub spowodować odrzut. Tarcza szlifująca może odskoczyć do lub od operatora, w zależności od kierunku obrotów tarczy w miejscu zablokowa-

nia. W tych okolicznościach możliwe jest złamanie tarcz szlifujących.

Odrzut elektronarzędzia jest wynikiem niewłaściwego użytkowania i/lub niepoprawnej eksploatacji, lub niewłaściwych warunków pracy z elektronarzędziem i można go uniknąć stosując zalecenia opisane poniżej.

- a) **Trzymać mocno elektronarzędzie i zachować odpowiednią pozycję ciała i ustawić ręce w sposób umożliwiający oponowanie siły odrzutu.** Korzystać zawsze z dodatkowego uchwytu, jeśli elektronarzędzie jest wyposażone w taki uchwyt, co umożliwiła największą kontrolę nad siłą odrzutu lub momentu bezwładności podczas rozruchu. Jeśli zostaną zastosowane odpowiednie środki zapobiegawcze operator jest w stanie oponować siły momentu bezwładności lub odrzutu.
- b) **Nigdy nie zbliżać dłoni do obracającego się osprzętu.** Akcesoria mogą odbić się w stronę zbliżonej ręki.
- c) **Nie ustawać się w obszarze, do którego elektronarzędzie mogłoby przesunąć się w wyniku odrzutu.** Odrzut uruchamia elektronarzędzie w kierunku przeciwnym do ruchu tarczy szlifującej, w miejscu zablokowania.
- d) **Obrabiać ze szczególną ostrożnością narożniki, ostre krawędzie itp.** Unikaj odbijania i blokowania osprzętu w detale. Narożniki, ostre krawędzie ułatwiają zablokowanie osprzętu, co może spowodować utratę kontroli lub spowodować odrzut elektronarzędzia.
- e) **Nie stosować tarcz z łańcuchem do cięcia drewna ani zębatach tarcz tnących.** Takie tarcze często powodują zagrożenie odrzutem lub utratę kontroli nad elektronarzędziem.
 - **Zamocować obrabiany detal w imadle lub w inny odpowiedni sposób.**

Specyficzne wskazówki bezpieczeństwa przy szlifowaniu i cięciu tarczy ścierną

- a) **Używać wyłącznie zalecanych do danego urządzenia typów tarcz oraz odpowiedniej osłony.** Tarcze, do których elektronarzędzie nie jest zaprojektowane, nie mogą być we właściwy sposób chronione i nie są bezpieczne.
- b) **Osłona tarczy musi być mocno dokręcona do elektronarzędzia i ustawiona tak by zapewniono maksymalne bezpieczeństwo, czyli jak najmniejsza część odsłoniętej tarczy była skierowana w stronę operatora.** Osłona tarczy chroni operatora przed ewentualnymi odłamkami tarczy i przypadkowym kontaktem z obracającą się tarczą oraz iskrami, które mogą podpalić ubranie.
- c) **Należy używać tarcz tylko zgodnie z zaleconym przeznaczeniem.** Np. nie wolno szlifować płaszczyną boczną tarczy przeznaczonej do cięcia. Tarcze tnące przeznaczone są do usuwania części materiału krawędzią tarczy. Przykładanie nacisku bocznego na tego rodzaju tarczę może ją złamać.
- d) **Zawsze używać nieszkodzonych kołnierzy mocujących o kształcie i średnicy odpowiadającej dobranej tarczy.** Poprawnie dobrane kołnierze mocujące dokładnie mocują tarczę redukując zagrożenie złamaniem tarczy. Kołnierze mocujące do tarcz tnących mogą się różnić od kołnierzy mocujących do

innego rodzaju tarcz.

- e) **Nie stosować zużytych tarcz od większych elektronarzędzi.** Tarcza przeznaczona do większych elektronarzędzi nie jest przystosowana do większych prędkości obrotowych mniejszego elektronarzędzia i może ulec złamaniu.
- **Zawsze zwracać uwagę na kierunek obrotu tarczy.** Siła bezwładnościowa jest skierowana przeciwnie do kierunku obrotów w miejscu szlifowania lub cięcia i może spowodować utratę kontroli nad elektronarzędziem.
 - Elektronarzędzie należy zawsze prowadzić w taki sposób aby iskry oraz pył powstające podczas szlifowania nie trafiały ciała. *Niniejsze elektronarzędzia powodują powstawanie iskieł, które mogą przypalić ubrania lub oparzyć nieosłonięte części ciała.*
 - **Nie wolno szlifować ani ciąć świeżo malowanych konstrukcji metalowych zanim farba całkowicie wyschnie.** Występuje ryzyko zapalenia się niewyschniętej farby.
 - **Nie wolno ciąć materiałów łatwopalnych (drewno, plastik, itp.) ani konstrukcji panelowych z łatwopalnym wypełnieniem typu „sandwicz”.** Występuje ryzyko wzniesienia pożaru.
 - **Nie wolno szlifować ani ciąć wyposażenia znajdującego się pod ciśnieniem.** Występuje ryzyko wybuchu.
 - **Nie wolno, bez podjęcia specjalnych kroków zapobiegających zapłonowi lub wybuchowi, szlifować ani ciąć zbiorników, rurociągów, wyposażenia, itp. zawierających obecnie lub w przeszłości substancje i materiały palące się i łatwopalne.** Występuje ryzyko pożaru lub wybuchu.

Specyficzne instrukcje bezpieczeństwa podczas cięcia tarczami ściernymi

- a) **Nie blokować ani nie stosować zbyt silnego nacisku na tarczę tnącą.** Nie wykonywać zbyt głębokich cięć. *Przeciążenie tarczy tnącej zwiększa jej zużycie i podatność na wygięcie lub zablokowanie tarczy, stąd możliwość wystąpienia odrzutu lub złamania się tarczy.*
- b) **Nie ustawiać się w przestrzeni przed i za obracającą się tarczą.** *W wypadku gdy tarcza tnąca w miejscu cięcia oddala się od waszego ciała, ewentualny odrzut wyrzuciłby elektronarzędzie w wirującą tarczą wprost do użytkownika.*
- c) **W przypadku zacięcia się tarczy tnącej lub potrzeby przerwania cięcia, należy wyłączyć elektronarzędzie i trzymać nieruchomo do momentu całkowitego zatrzymania.** Ze względu na niebezpieczeństwo odrzutu, nie wolno wyjmować obracającej się tarczy z naciętego materiału. *Należy ustalić i usunąć przyczynę zacięcia się tarczy.*
- d) **Nie wznowiać cięcia z tarczą w wyciętej szczelinie.** Uruchomić urządzenie i na pełnych obrotach wprowadzić ponownie do nacięcia. *W przeciwnym razie tarcza może się zablokować, wysunąć z detalu lub odbić.*
- e) **Zapewnić dodatkowe podpory i ustawiać panele oraz wszystkie duże materiały na podporach, tak aby zminimalizować ryzyko odrzutu lub zablokowania tarczy.** Duże elementy uginają się pod własną wagą. *Podpory należy umieścić pod obrabianym materiałem w pobliżu linii cięcia oraz po obu stronach tarczy przy krawędziach detalu.*

- f) **Zachować szczególną ostrożność przy nacięciach w ścianach lub innych zamurowanych powierzchni.** *Wystająca tarcza może napotkać i przeciąć przewody gazowe lub wodociągowe, elektryczne lub inne obiekty mogące spowodować odrzut.*

Specyficzne instrukcje bezpieczeństwa podczas pracy z szczotkami drucianymi:

- a) **Należy być świadomym, że nawet podczas normalnej pracy, pojedyncze drucziki mogą odpadać od szczotki.** Nie przeciążać szczotek poprzez zbyt mocny nacisk. *Odpadające drucziki z łatwością mogą przebić cienkie ubranie i/lub skórę.*
- b) **Jeśli w przypadku pracy ze szczotką drucianą zaleca się stosowanie osłony, należy dbać o to aby nie doszło do kontaktu osłony ze szczotką drucianą tarczową lub kielichową.** *Szczotki drucziane tarczowe lub kielichowe mogą zwiększać swoją średnicę pod wpływem nacisku przy pracy oraz sił odśrodkowych.*

V - Opis elektronarzędzia

Przed użyciem elektronarzędzia należy zapoznać się z wszystkimi jego funkcjami i wymogami bezpieczeństwa. Elektronarzędzie oraz osprzęt można wykorzystywać wyłącznie zgodnie z przeznaczeniem. Wszelkie inne zastosowania są stanowczo zabronione.

1. Wrzeczono
 - 2.1. Osłona do tarczy szlifującej
 - 2.2. Osłona do tarczy tnącej*
3. Kołnierz oporowy
 - 4.1. Tarcza szlifująca (Używać wyłącznie z osłoną do tarczy szlifującej!)*
 - 4.2. Tarcza tnąca (Używać wyłącznie z osłoną do tarczy tnącej!)*
5. Kołnierz mocujący
6. Dodatkowa rękogłoś
7. Wyłącznik
8. Przycisk zablokowania wrzeczona

OSPRZĘT WSPÓŁPRACUJĄCY Z NINIEJSZYM NARZĘDZIEM *

9. Szczotka drucziana
10. Tarcze ścierne do cięcia i szlifowania
11. Warchlarzowa tarcza szlifierska
12. Uchwyt antywibracyjny

* *Sprzęt główny, który mógł być używany z tą maszyną i jest oferowany przez SPARKI, jest wskazany na str. 96-99 z numerami katalogowymi. Sprzęt nie stanowi części kompletu.*

VI - Obsługa

Niniejsze elektronarzędzia są zasilane wyłącznie jednofazowym prądem zmiennym. Są podwójnie izolowa-

nie zgodnie z normami EN 60745, IEC 60745-1 i mogą być podłączane do gniazd zasilania bez zacisków bezpieczeństwa. Tłumienie zakłóceń radiowych zgodnie z dyrektywą o kompatybilności elektromagnetycznej EMC 2004/108/EC.

Urządzenie jest przeznaczone do cięcia, szlifowania i szcztokowania głównie metali bez zastosowania wody.

PRZED PRZYSTAPIENIEM DO PRACY

- Urządzenie może być wyposażone fabrycznie w osłonę. Upewnij się, że osłona została zamontowana prawidłowo i dokładnie ustawiona przed pierwszym i każdym kolejnym uruchomieniem.
- Urządzenie może być wyposażona fabrycznie w tarczę. Upewnij się, że tarcza została zamontowana prawidłowo i dokładnie dokręcona przed pierwszym i każdym kolejnym uruchomieniem.
- Upewnij się czy napięcie sieci elektrycznej odpowiada wartościom podanym na tabliczce znamionowej z danymi technicznymi elektronarzędzia.
- Zawsze sprawdzać pozycję włącznika/wyłącznika. Elektronarzędzie należy podłączać i wyłączać z sieci zasilania tylko przy wyłączonym wyłączniku. Jeśli elektronarzędzie zostanie podłączone do gniazda, gdy włącznik/wyłącznik znajduje się w pozycji: "Włączone" to natychmiast rozpocznij pracę, co może spowodować poważny wypadek.
- Sprawdzać czy przewód i wtyczka nie są uszkodzone. W przypadku uszkodzenia kabla zasilania, wymiany powinien dokonać producent lub jego autoryzowany specjalista, aby uniknąć możliwych niebezpieczeństw przy wymianie.



OSTRZEŻENIE: Zawsze wyłączać elektronarzędzie i wyjmować wtyczkę z gniazda zasilania przed dokonaniem jakichkolwiek czynności nastawienia, obsługi, konserwacji lub zaniku napięcia zasilania.

- Sprawdzić czy średnica oraz grubość tarczy nie przekracza wartości podanych na tabliczce znamionowej. Prędkość obwodowa wskazana na tarczy nie może być niższa niż 80 m/s. Tarcze należy przechowywać zgodnie z instrukcjami ich producenta.
- W przypadku pracy w miejscu oddalonym od źródła zasilania, należy stosować możliwie najkrótszy przewód przedłużający o odpowiednim przekroju.
- Sprawdź czy uchwyt dodatkowy jest poprawnie zamontowany i odpowiednio dokręcony.

OSŁONA TARCZY



OSTRZEŻENIE: Osłona (2.1) tarczy szlifierskiej lub osłona (2.2) tarczy tnącej (odpowiednio dla tarczy w szlifierskiej (4.1) lub tarczy tnącej (4.2.)) musi być zawsze zamontowana na elektronarzędziu!

Pozycja jego jest różna w zależności od tego po jakiej stronie został ustawiony dodatkowy uchwyt przy zamontowaniu elektronarzędzia do stojaka.

WSKAZÓWKI MONTAŻU OSŁONY

Przed przystąpieniem do następujących czynności, należy wyłączyć elektronarzędzie wyjmując wtyczkę z gniazda zasilania:

1. Ustawienie osłony

- Zwołnić dźwignię mocującą (15) i ewentualnie rozluźnić wkręt (16). (Rys. 1)
- Ustawić osłonę (2) tak by wpusty (14) osłony zbiegły się z rowkami (17), wcisnąć wpust by wszedł w kanał (18) obok gniazda łożyska. (rys. 2a, b)
- Dokręcić wkręt (16), usuwając luz między krążkiem osłony a gniazdem łożyska by zapewnić możliwość lekkiego obracania między nimi.
- Ustawić osłonę w pożądanej pozycji.
- Zamknąć dźwignię mocującą (15), unieruchamiając osłonę.
- W razie konieczności ponowić zabieg usuwania luzu między krążkiem osłony a gniazdem łożyska.

2. Obrócić i ustawić osłonę w nowej pozycji roboczej

- Otworzyć dźwignię mocującą (15).
- Ustawić osłonę w nowej pozycji roboczej
- Zamknąć dźwignię mocującą (15).

ZAKŁADANIE TARCZY

Wrzeczono (1) na tarczy szlifierskiej ustawić i unieruchomić przyciskiem (8), usytuowanym na obudowie przedkadni elektronarzędzia.



OSTRZEŻENIE: Nie wolno wciskać przyciska (8) przy obracającym się wrzeczono.

- Ustawić kołnierz oporowy (3) rowkami w dół. (Rys. 3)
- Ustawić tarczę (4) dokładnie na kołnierz oporowy z napisami w dół (Rys. 4)
- Ustawić kołnierz mocujący (5) płaską stroną do tarczy (4) i zakręcić go ręką, Włożyć klucz śrubowy w otwory kołnierza mocującego (5). (Rys. 5)
- Przy wciśniętym przycisku unieruchomienia wrzeczono (8) dobrze przykręcić kołnierz mocujący (5) kluczem śrubowym. (Rys. 6a, b)

Po ustawieniu tarczy uruchomić elektronarzędzie aby pracowało z nową tarczą przez minutę bez obciążenia. Tarcze wibrujące lub nierównomiernie obracające się należy niezwłocznie wymienić.

Szcztokę drucianą (9) wkręca się bezpośrednio do wrzeczono (1) przy pomocy klucza śrubowego. (Sprawdzić czy długość gwintu szcztoki jest wystarczająca i obejmuje gwint wrzeczono.).

UCHWYT DODATKOWY

Uchwyt dodatkowy (6) montuje się zwykle po lewej stronie elektronarzędzia. Można go także umieścić po prawej stronie dla wygody użytkownika.

ROZRUCH - ZATRZYMANIE

Rozruch: Suwak wyłącznika (7) nacisnąć na tylną część, następnie przesunąć do przodu w kierunku

strzałki, aż jego przednia część wpadnie i zostanie zablokowana.

Zatrzymanie: Tylną podniesioną do góry końcówkę wyłącznika (7) wcisnąć i pozostawić, aby samorzutnie powróciła do tyłu w pozycji wyjściowej.



OSTRZEŻENIE: W wypadku temperatur niskich albo kiedy elektronarzędzie nie pracowało przez długi czas, włączyć i zostawić elektronarzędzie pracować na biegu jałowym za około minutę, aby ustaliło swój zwykły stan pracy. W taki sposób ulepszone jest smarowanie, a także przedłuża się życie elektronarzędzia.

ZALECENIA

Przy pracy z tarczą tnącą nie stosować docisku, nie poruszać tarczą poprzecznie do płaszczyzny cięcia. Przy pracy podawać w tempie umiarkowanym obrabiany materiał.

Bardzo ważny jest kierunek cięcia. Elektronarzędzie musi być prowadzone zawsze w kierunku przeciwnym do kierunku obrotów tarczy. W przeciwnym razie, tarcza może wysunąć się bez kontroli z obrabianego materiału. (Rys. 7)

Podczas cięcia profili lub rur prostokątnych, zawsze rozpoczynać cięcie od najmniejszej strony.

Podczas szlifowania nie przyciskać elektronarzędzia do obrabianej powierzchni, a płynnie przesuwając tarczę do przodu i do tyłu. Lekkie metale obrabia się specjalnymi tarczami. Najlepszy wynik przy zgrubnym szlifowaniu uzyskuje się przy nachyleniu w przedziale 30°–40° między tarczą a powierzchnią obrabianą. Przy zgrubnym szlifowaniu nie jest dopuszczalne stosowanie tarcz do cięcia. Nie zaleca się stosowania tarcz o grubości powyżej 6 mm.

VII - Konserwacja



OSTRZEŻENIE: Przed przystąpieniem do każdej kontroli lub konserwacji, należy urządzenie wyłączyć i odłączyć od zasilania.

WYMIANA SZCZOTEK

Niniejsze urządzenie jest wyposażone w szczotki samo-odłączalne. W przypadku zużycia szczotek węglowych, urządzenie wyłącza się. W takim przypadku obie szczotki muszą zostać wymienione jednocześnie na oryginalne w autoryzowanym serwisie SPARKY.

OGÓLNA KONTROLA

Regularnie sprawdzać czy wszystkie śruby mocujące są odpowiednio zamocowane. W przypadku poluzowania którejkolwiek ze śrub należy natychmiast je dokręcić aby uniknąć zagrożenia.

Jeśli konieczna jest wymiana przewodu, można to wykonać wyłącznie w autoryzowanym serwisie producenta aby uniknąć zagrożeń.

CZYSZCZENIE

Zawsze utrzymywać urządzenie i otwory wentylacyjne w czystości.

Regularnie sprawdzać otwory wentylacyjne i miejsca wokół włącznika. Za pomocą miękkiej szczotki lub sprężonego powietrza usuwać zebrany pył. Podczas czyszczenia stosować ochronę oczu.

W razie konieczności, zewnętrzne części plastikowe mogą być czyszczone wilgotną szmatką z łagodnym detergentem.



OSTRZEŻENIE: Chociaż zewnętrzne części plastikowe odznaczają się wysoką odpornością na działanie rozpuszczalników, nigdy nie używać rozpuszczalników!



OSTRZEŻENIE: Nie wolno dopuścić do kontaktu urządzenia z wodą.

WAŻNE! Aby zapewnić bezpieczeństwo i niezawodność urządzenia, naprawy, konserwacje i regulacje (łącznie z kontrolą i wymianą szczotek) powinny być przeprowadzane w autoryzowanych serwisach z zastosowaniem oryginalnych części zamiennych.

VIII - Gwarancja

Okres gwarancji elektronarzędzi SPARKY jest określony na kartce gwarancyjnej.

Usterki wynikające z normalnego zużycia, przeciążenia lub niewłaściwego obchodzenia się nie będą podlegały gwarancji.

Usterki wynikające z zastosowania wadliwych materiałów, jak również wady w wykonawstwie będą naprawiane bezpłatnie poprzez wymianę bądź naprawę.

Reklamacje odnoszące się do wadliwych elektronarzędzi SPARKY będą uznawane pod warunkiem odesłania urządzenia do sprzedawcy bądź dostarczenia go do autoryzowanego centrum serwisowego zajmującego się obsługą gwarancyjną urządzeń, w postaci nierozmontowanej, w stanie pierwotnym.

Uwagi

Przeczytać uważnie całość niniejszej instrukcji obsługi przed użytkowaniem niniejszego sprzętu.

Producent zastrzega sobie prawo wprowadzania zmian i modyfikacji produktów oraz dokonywania zmian wyposażenia i danych technicznych bez uprzedniego powiadomienia.

Wyposażenie i dane techniczne mogą się różnić w zależności od kraju

Содержание

I - Введение.....	66
II - Технические данные.....	68
III - Общие указания по технике безопасности при работе с электроинструментами	69
IV - Дополнительные указания по работе с углошлифовальными машинами	70
V - Знакомство с электроинструментом	A/73
VI - Указания по работе.....	73
VII - Обслуживание	75
VIII - Гарантия	75

РАСПАКОВКА

В соответствии с общепринятыми технологиями крупносерийного производства, почти не существует риска поломки Вашего электроинструмента, или отсутствия какой-либо из его частей. Если вы все же установите повреждение, не используйте электроинструмент до тех пор, пока дефектная часть не будет заменена, а неисправность - устранена. Нарушение этой рекомендации может привести к серьезному трудовому инциденту.

СБОРКА

Углошлифовальная машина поставляется в упаковке, в полностью собранном виде, за исключением предохранителя и дополнительной рукоятки.

I - Введение

Новоприобретенный Вами электроинструмент SPARKY превзойдет Ваши ожидания. Его производство подчиняется высоким стандартам качества SPARKY, отвечающим строгим требованиям потребителя. Удобный для обслуживания и безопасный в эксплуатации, этот электроинструмент при правильном употреблении будет служить безотказно долгие годы.

ПРЕДОСТЕРЕЖЕНИЕ!



Прочтите внимательно и целиком инструкцию по эксплуатации перед использованием новоприобретенного электроинструмента SPARKY. Обратите специальное внимание на параграфы, обозначенным словом "**Предостережение**". У Вашего электроинструмента SPARKY много качеств, которые облегчают работу. При разработке этого инструмента основное внимание было направлено на безопасность, эксплуатационные качества и надежность, которые облегчают его обслуживание и эксплуатацию.



Не выбрасывать электроинструменты вместе с бытовыми отбросами!

Отбросы электрических изделий нельзя собирать вместе с бытовыми отбросами. Они должны быть рециклированы на местах, предназначенных специально для этих целей. Просим обратиться к местным властям или к нашему представителю для получения информации насчет рециклирования.

ЗАЩИТА ОКРУЖАЮЩЕЙ СРЕДЫ



Для предохранения окружающей среды электроинструменты, принадлежности и упаковки должны быть переработаны подходящим образом для повторно использования содержащихся в них материалов. Для облегчения процесса рециклирования детали, сделанные из искусственных материалов, обозначены соответствующим способом.

ОПИСАНИЕ СИМВОЛОВ

На табличке с данными электроинструмента нанесены специальные символы, содержащие важную информацию о продукте или инструкции по использованию.



Всегда надевайте защитные очки.



Двойная изоляция для дополнительной защиты.



Присоединительная резьба шпинделя: M10



Присоединительная резьба шпинделя: M14



Соответствует релевантным европейским директивам



Соответствует требованиям российским нормативным документам



Соответствует требованиям украинским нормативным документам



Ознакомьтесь с инструкцией по эксплуатации

YYYY-Www

Период производства, где переменные символы означают:
YYYY - год производства, ww – очередная календарная неделя

M

УГЛОШЛИФОВАЛЬНАЯ МАШИНА

II - Технические данные

Модель	M 600	M 650	M 720
▪ Потребляемая мощность	600 W	650 W	720 W
▪ Обороты на холостом ходу	11000 min ⁻¹	11000 min ⁻¹	11000 min ⁻¹
▪ Присоединительная резьба шпинделя	M10	M14	M14
▪ Длина резьбы шпинделя	20 mm	20 mm	20 mm
▪ Внутренний диаметр шлифовального диска	16	22,23	22,23
▪ Максимальный диаметр шлифовального диска	100 mm	115 mm	125 mm
▪ Максимальная толщина шлифовального диска	6 mm	6 mm	6 mm
▪ Вес (ЕРТА процедура 01/2003)	1,2 kg	1,2 kg	1,2 kg
▪ Класс защиты (EN 60745-1) 	II	II	II

ИНФОРМАЦИЯ О ШУМЕ И ВИБРАЦИЯХ (Показатели замерены согласно EN 60745.)

Уровень выделяемого шума			
A-взвешенный уровень звуковой нагрузки L _{РА}	94.2 dB(A)	94.2 dB(A)	94.2 dB(A)
Неопределенность K _{РА}	3 dB	3 dB	3 dB
A- взвешенный уровень звуковой мощности L _{WA}	105.2 dB(A)	105.2 dB(A)	105.2 dB(A)
Неопределенность K _{WA}	3 dB	3 dB	3 dB



Пользуйтесь средствами защиты от шума!

Уровень вибраций*			
<i>Общий уровень вибраций (сумма векторов по трем осям), определенная согласно EN 60745:</i>			
▪ Шлифование поверхностей			
Показатель вибраций a _{h,AG}	4,2 m/s ²	4,3 m/s ²	4,5 m/s ²
Неопределенность K _{AG}	1,5 m/s ²	1,5 m/s ²	1,5 m/s ²
▪ Шлифование наждачной бумагой			
Показатель вибраций a _{h,DS}	3,9 m/s ²	4,0 m/s ²	4,2 m/s ²
Неопределенность K _{DS}	1,5 m/s ²	1,5 m/s ²	1,5 m/s ²

* Уровень вибраций определен согласно п. 6.2.7 EN 60745-1.

Указанный в настоящую инструкцию уровень вибраций измерен в соответствии с установленную EN 60745 методику испытаний и может использоваться для сравнения электроинструментов. Уровень вибраций может использоваться для предварительной оценки воздействия.

Указанный уровень вибраций дан при условии использования инструмента по его прямому назначению. В тех случаях, когда электроинструмент используется для других целей, с другими принадлежностями, уровень вибраций может отличаться от указанного. В этих случаях уровень воздействия может значительно возрасти в рамках общего периода работы.

Для точной оценки воздействия вибраций во время определенного периода работы необходимо учитывать промежутки времени, в которые электроинструмент выключен, либо хотя и включен, но фактически не используется. Это может существенно сократить воздействие вибраций в течение всего периода работы. Сохраняйте электроинструмент и его принадлежности в хорошем состоянии. Во время работы старайтесь сохранять руки теплыми - это поможет уменьшить вредное воздействие при работе с повышенной вибрацией.

Пыль материалов, как с краски с содержанием свинца, некоторых сортов древесины, минералов и металлов может быть вредной для здоровья. Прикосновение к пыли и попадание пыли в дыхательные пути может вызвать аллергические реакции и/или заболевания дыхательных путей оператора или находящегося вблизи персонала.

Определенные виды пыли, как из дуба и бука, считаются канцерогенными, особенно, совместно с присадками для обработки древесины (хромат, средство для защиты древесины). Материал с содержанием асбеста разрешается обрабатывать только специалистам.

- По возможности применяйте отсос пыли.
- Для достижения максимально высокой эффективности собирания пыли при работе с данным электроинструментом, используйте пылесос, предназначенный для сбора пыли из древесины или для пыли из древесины и/или минеральной пыли.
- Следите за хорошей вентиляцией.
- Рекомендуется пользоваться дыхательной защитной маской с фильтром класса P2.

Соблюдайте действующие в Вашей стране предписания для обрабатываемых материалов.

III - Общие указания по безопасности при работе с электроинструментами



ПРЕДОСТЕРЕЖЕНИЕ! Прочитайте все предупреждения и указания по безопасности. Несоблюдение предупреждений и указаний по безопасности может привести к поражению электрическим током, от пожара и/или серьезные ранения.

Сохраните все предупреждения и указания для дальнейшего использования.

Термин "электроинструмент" во всех указанных ниже предупреждениях касается вашего электроинструмента, с питанием от сети (с кабелем) и/или электроинструмент с питанием от аккумуляторной батареи (без кабеля).

1) БЕЗОПАСНОСТЬ РАБОЧЕГО МЕСТА

- a) Содержите рабочее место в чистоте и хорошо освещенным. Беспорядок и недостаточное освещение являются предпосылками трудовых инцидентов.
- b) Не работайте с электроинструментами во взрывоопасной атмосфере при наличии воспламеняющихся жидкостей, газов или пыли. Электроинструменты создают искры, которые могут воспламенить пыль или пары.
- c) Держите детей и посторонних лиц на расстоянии, когда работаете с электроинструментом. Рассеивание может привести к потере контроля с Вашей стороны.

2) ЭЛЕКТРИЧЕСКАЯ БЕЗОПАСНОСТЬ

- a) Штепселя электроинструментов должны соответствовать контактным гнездам. Никогда не меняйте штепсель каким-либо способом. Не используйте какие-либо адаптерные штепселя для электроинструментов с защитным заземлением. Использование оригинальных штепселей и соответствующим им контактов уменьшает риск от удара электрическим током.
- b) Избегайте соприкосновения тела с землей или с заземленными поверхностями, такими как трубы, радиаторы, кухонные плиты и холодильники. Если ваше тело заземлено, существует повышенный риск поражения электрическим током.
- c) Не оставляйте электроинструменты под дождем или во влажной среде. Проникновение воды в электроинструменты повышает риск от поражения электрическим током.
- d) Используйте кабель по назначению. Никогда не используйте кабель для переноса электроинструмента, натягивания или отключения штепселя из контактного гнезда.

да. Держите кабель далеко от тепла, масла, острых углов или движущихся частей. Поврежденные или запутанные кабели повышают риск от поражения электрическим током.

- e) Во время наружной работы с электроинструментом используйте удлинитель, подходящий для этих целей. Использование удлинителя, предназначенного для внешних /наружных/ работ, уменьшает опасность от поражения электрическим током.
- f) В случае, если работа с электроинструментом во влажной среде неизбежна, используйте предохранительное устройство, которое действовало от остаточного тока для прерывания подачи тока. Использование предохранительного устройства уменьшает риск от поражения электрическим током.

3) ЛИЧНАЯ БЕЗОПАСНОСТЬ

- a) Будьте бдительны, работайте с повышенным вниманием и проявляйте благоразумие, когда работаете с электроинструментом. Не используйте электроинструмент, когда вы устали или находитесь под влиянием наркотиков, алкоголя или медикаментов. Момент невнимания при работе с электроинструментом может привести к серьезной производственной травме.
- b) Используйте индивидуальные средства защиты. Носите всегда защитные очки. Индивидуальные средства защиты, такие как маска против пыли, нескользкая обувь, защитный шлем или средства для защиты слуха, используемые в конкретных условиях, снижают риск от производственных травм.
- c) Избегайте невольного пуска инструмента. Убедитесь, что выключатель находится в положении „выключено“ перед включением к источнику питания и/или аккумуляторной батарее перед тем, как его возьмете в руки или переносите. Ношение электроинструмента с пальцем на выключателе или подключение к источнику питания электроинструмента с выключателем во включенном положении является предпосылкой для производственной травмы.
- d) Удалите каждый ключ для затягивания или гаечный ключ перед включением электроинструмента. Ключ для затягивания или гаечный ключ, прикрепленный к вертящейся части электроинструмента, может привести к трудовому инциденту.
- e) Не перетягивайте. Поддерживайте правильное положение и равновесие в течение всей работы. Это позволит лучше управлять электроинструментом при неожиданных ситуациях.
- f) Носите подходящую рабочую одежду. Не носите широко одежду или украшения. Держите свои волосы, одежду и перчатки далеко от движущихся частей. Широкая одежда, бижутерия или длинные волосы могут попасть в движущиеся части.
- g) Если электроинструмент снабжен приспособо-

блением для пыли, убедитесь, что они правильно установлены и правильно используются. *Использование этих устройств может понизить связанные с пылью опасности.*

4) ЭКСПЛУАТАЦИЯ И УХОД ЗА ЭЛЕКТРОИНСТРУМЕНТАМИ

- a) Не перегружайте электроинструмент. Используйте правильно выбранный электроинструмент согласно его предназначению. *Правильно подобранный электроинструмент работает лучше и безопасней для объявленного режима работы, для которого он спроектирован.*
- b) Не используйте электроинструмент в случае, если выключатель не переключается во включенное и исключенное положение. *Каждый электроинструмент, который не может управляться с помощью его выключателя, опасен и подлежит ремонту.*
- c) Отключите штепсель от электросети перед тем, как начать любые настройки, перед заменой принадлежностей или перед тем, как убрать электроинструмент для хранения. *Эти меры предосторожности снижают риск невольного пуска электроинструмента.*
- d) Сохраняйте неиспользованные электроинструменты в местах, недоступных для детей и не позволяйте обслуживающему персоналу, который не знаком с электроинструментом или инструкциями по эксплуатации, работать с ним. *Электроинструменты являются опасными в руках необученных потребителей.*
- e) Проверяйте электроинструменты. Проверяйте, работают ли нормально и движутся ли свободно движущиеся части, находятся ли в целостности и исправности части, а также проверяйте все прочие обстоятельства, которые могут неблагоприятно повлиять на работу электроинструмента. Если он поврежден, электроинструмент необходимо отремонтировать перед его дальнейшим использованием. *Много инцидентов причиняются от плохо обслуживаемых электроинструментов.*
- f) Поддерживайте режущие инструменты острыми и чистыми. *Правильно поддержанные режущие инструменты с острыми режущими углами реже блокируются и проще управляются.*
- g) Используйте электроинструмент, принадлежности и части инструмента и т.д. в соответствии с этими инструкциями и способом, предусмотренным для конкретного типа электроинструмента, имея в виду рабочие условия и работу, которую необходимо выполнять. *Использование электроинструмента для работы не по назначению может привести к опасной ситуации.*

5) ОБСЛУЖИВАНИЕ

- a) Ремонтируйте ваш электроинструмент у квалифицированного специалиста по ремонту, при этом используйте только оригинальные запасные части. *Это обеспечивает сохранение безопасности электроинструмента.*

IV - Дополнительные указания по работе с углошлифовальными машинами

Общие указания безопасности по шлифованию абразивным диском, чистке проволочными щетками и резке абразивным диском:

- a) Настоящий электроинструмент может использоваться в качестве шлифовальной машины с абразивным диском, с наждачной бумагой, с проволочными щетками, в виде полировальной машины и машины для резки с абразивным диском. Прочитайте внимательно все указания по безопасности, инструкции, иллюстрации и данные, которые Вы получили с электроинструментом. *Несоблюдение указаний по безопасности может привести к поражению электрическим током, возникновению пожара и/или получению серьезных травм.*
- b) Настоящий электроинструмент не пригоден для полирования. *Выполнение работ, для которых настоящий электроинструмент не предусмотрен, может стать причиной опасностей и травм.*
- c) Не пользуйтесь принадлежностями (насадками), которые не разрешены и не рекомендуются производителем специально для данного электроинструмента. *Возможность крепления принадлежности к Вашему электроинструменту, не гарантирует безопасного применения.*
- d) Допустимое число оборотов принадлежности должно быть не менее указанного на электроинструменте максимального числа оборотов. *Принадлежности, которые вращаются со скоростью, превышающей их номинальную скорость, могут сломаться и разлететься в пространство.*
- e) Наружный диаметр и толщина рабочего инструмента должны быть не менее указанных размеров Вашего электроинструмента. *Принадлежности неподходящего размера не могут быть защищены или контролироваться в достаточной степени.*
- f) Шлифовальные диски, затягивающие фланцы, эластичные диски или другие принадлежности должны точно сидеть на шпинделе вашего электроинструмента. *Принадлежности, неточно сидящие на шпинделе электроинструмента, вращаются неравномерно, сильно вибрируют и могут привести к потере контроля.*
- g) Не применяйте поврежденные принадлежности. Перед каждым использованием проверяйте принадлежности - шлифовальные диски на зазубрины и трещины, эластичные диски на трещины, разрывы или сильный износ, проволочные щетки на незакрепленные или поломанные проволочки. При

случайном падении электроинструмента или принадлежности, проверяйте инструмент на повреждения или установите неповрежденную принадлежность. После проверки и установки принадлежности, Вы и находящиеся вблизи лица, займите место за пределами плоскости вращения принадлежности и оставьте электроинструмент поработать на максимальных оборотах на холостом ходу в течение одной минуты. Обычно этого времени достаточно для того, чтобы поврежденные принадлежности сломались.

- h) Применяйте средства индивидуальной защиты. В зависимости от конкретного случая, пользуйтесь защитным щитком для лица или защитными очками. В случае необходимости используйте противопылевой респиратор, средства защиты слуха, защитные печатки или специальный халат, который задерживает мелкие частицы, разлетающиеся от шлифовальной насадки или обрабатываемой детали. Средства для защиты глаз должны защищать их от различных летящих предметов, возникающих при различных операциях. Противопылевой респиратор и газозащитные маски органов дыхания должны задерживать при работе пыль. Продолжительное воздействие сильного шума может привести к потере слуха.
- i) Следите за тем, чтобы все лица находились на безопасном расстоянии от Вашего рабочего участка. Все, кто находится в пределах рабочего участка, должны носить средства индивидуальной защиты. Летящие осколки обрабатываемых деталей или сломавшейся принадлежности могут отлететь в сторону и причинить травму даже за пределами непосредственно рабочего участка.
- j) В случае потенциальной возможности касания режущей принадлежности до скрытой электропроводки или до собственного питающего шнура, держите электроинструмент только за изолированные поверхности рукояток. Контакт принадлежности с токоведущим проводом ставит под напряжение также открытые металлические части электроинструмента и может привести к поражению оператора электрическим током.
- k) Держите шнур питания в стороне от вращающейся принадлежности (насадки). При потере контроля над электроинструментом, шнур может быть разрезан или захвачен вращающейся частью, а Ваша кисть может попасть под вращающийся инструмент.
- l) Никогда не выпускайте электроинструмент из рук, пока принадлежность полностью не прекратит вращаться. Вращающаяся принадлежность может задеть обрабатываемый материал и в результате Вы потеряете контроль над электроинструментом.
- m) Выключайте электроинструмент при транспортировке. Ваша одежда может

быть случайно захвачена принадлежностью, что может нанести Вам травму.

- n) Регулярно очищайте вентиляционные отверстия электроинструмента. Вентилятор электродвигателя засасывает пыль в корпус, а чрезмерное скопление металлической пыли может привести к опасности от поражения электрическим током.
- o) Не пользуйтесь электроинструментом вблизи горючих материалов. Искры могут воспламенить эти материалы.
- p) Не применяйте принадлежности, работа с которыми требует использование охлаждающих жидкостей. Применение воды или других охлаждающих жидкостей может привести к поражению или удару электрическим током.
 - Электроинструмент следует использовать только по назначению. Любое другое применение, отличающееся от указанного в данной инструкции, считается неправильным применением. Ответственность за любое повреждение или ранение, вызванное неправильным употреблением, несет потребитель, а не производитель.
 - Производитель не несет ответственность в случае внесенных потребителем в электроинструмент изменений или за повреждение, вызванные такими изменениями.
 - При работе в пыльной среде вентиляционные отверстия машины следует поддерживать в чистоте. Если необходимо удалить пыль, вначале следует отключить электропитание. Удалять пыль следует неметаллическими предметами для чистки пыли, предохраняя внутренние детали машины от повреждений. Электроинструмент будет перегреваться при нарушении охлаждения вследствие пыльных вентиляционных отверстий.

Другие указания по безопасности всех операций

Обратный удар (отскок) и связанная с ним указания по безопасности

Обратный удар - это внезапная реакция, являющаяся следствием заклинивания или блокировки принадлежности, например шлифовального диска, эластичного диска, проволочной щетки и т.п. Заклинивание или блокировка ведет к внезапной остановке вращения принадлежности, что, со своей стороны, толкает неконтролируемый электроинструмент в сторону, противоположную направлению вращения рабочего инструмента в точке заклинивания.

Например, если шлифовальный диск заклинит или блокирует в деталь (заготовку), то погруженная в заготовку кромка шлифовального диска застревает, вследствие чего диск может сломаться или спровоцировать отскок. Шлифовальный диск отскакивает в сторону оператора или от него, в зависимости от направления вращения диска в месте блокировки. В этом случае шлифовальные диски могут сломаться.

Обратный удар является следствием неправильно го использования и/или неправильной эксплуатации или условий работы с электроинструментом, и может быть предотвращен благодаря нижеописан- ным мерам предосторожности.

- a) Держите крепко электроинструмент, примите подходящую позу и поставьте руки таким образом, чтоб Вы смогли противодействовать силе обратного удара. Всегда используйте дополнительную рукоятку при ее наличии, чтобы как можно лучше противодействовать и осуществлять контроль над силой отскока или реактивным моментом при запуске. Благодаря правильным мерам предосторожности оператор может овладеть реактивным моментом и отскоком.
- b) Ваши руки никогда не должны быть вблизи вращающейся принадлежности. Принадлеж- ность может отскочить и попасть на Ваши руки.
- c) Держитесь в стороне от участка, в котором электроинструмент может двигаться при обратном ударе. Отскок ведет электроинстру- мент в направлении, противоположное движе- нию шлифовального диска в месте блокировки.
- d) При обработке углов, острых кромок и проч., работайте с повышенным вниманием. Не по- зволяйте принадлежности отскакивать или блокировать деталь. При обработке углов и острых кромок имеется вероятность заклини- вания вращающейся принадлежности, что мо- жет причинить потерю контроля или отскок.
- e) Не используйте цепные или циркулярные диски для обработки древесины. Данные при- надлежности часто являются причиной отско- ка или потери контроля над электроинстру- ментом.
 - Фиксируйте положение обрабатываемой детали в тисках или иным подходящим способом.

Специальные указания по безопасности по шли- фованию и резанию абразивным диском:

- a) Используйте только рекомендованные для данного электроинструмента диски с пред- виденным для них предохранителем. Диски, не предусмотренные для данного электроин- струмента, не могут быть достаточно экра- нированы и небезопасны.
- b) Защитный кожух должен закрепляться на- дежно к электроинструменту и настроен так, чтобы обеспечивать максимальную безопас- ность, т.е. в сторону оператора должна быть открыта как можно меньшая часть диска. За- щитный кожух должен защищать оператора от осколков, случайного контакта с диском и искр, которые смогли бы поджечь одежду.
- c) Диски необходимо применять только для рекомендуемых работ. Например, никогда не шлифуйте боковой поверхностью отрезно- го диска. Отрезные диски предназначены для съема материала по кромке диска. Боковое давление на такой диск может привести к его поломке.

- d) Всегда применяйте неповрежденные затяги- вающие фланцы с подходящими размерами и формой для выбранного диска. Правильно вы- бранные затягивающие фланцы закрепляют диск и уменьшают вероятность его поломки. Затягивающие фланцы для отрезных дисков могут различаться от затягивающих фланцев для других видов дисков.
- e) Не используйте изношенные диски, предна- значенные для электроинструментов более крупных габаритов. Диск для больших элек- троинструментов не подходит для более вы- соких скоростей малых электроинструментов и может сломаться.
 - Всегда соблюдайте направление движения диска. Реактивная сила действует в проти- воположном вращению направлении в месте шлифовки или резки, и является предпосыл- кой потери контроля над электроинстру- ментом.
 - Удерживайте машину таким образом, чтобы искры и пыль при шлифовке отскакива- ли в сторону от вас. Электроинструменты образуют искры, которые могут прожечь одежду или незащищенные части тела.
 - Не допускается шлифовка и резка свеже- окрашенных металлических конструкций с невысохшей краской. Существует опас- ность воспламенения невысохшей краски.
 - Не допускается резка возгораемых мате- риалов (дерева, пластмассы и пр.), а также панельных конструкций типа “сэндвич”, наполненных возгораемым наполнителем. Существует опасность возникновения пожа- ра.
 - Не допускается шлифовка и резка соору- жений, работающих под давлением. Суще- ствует опасность возникновения эксплозии.
 - Не допускается шлифовка и резка резерву- арлов, трубопроводов, аппаратов и др., в ко- торых имеются, или имелись возгораемые или легко воспламеняемые вещества и ма- териалы, без предварительных специаль- ных мер противопожарной и взрывоопас- ной безопасности. Существует опасность возникновения пожара или эксплозии.

Специальные указания по безопасности при резке с абразивным диском

- a) Избегайте заклинивания отрезного диска или чрезмерного давления на него. Не пытайтесь выполнять слишком глубокие резы. Перегрузка отрезного диска увеличивает возможность его изнашивания и склонности к перекосу или блокировке, а отсюда - и возможность обрат- ного удара (отскока) или поломки диска.
- b) Не стойте в участке перед / сзади вращающе- гося диска. Если отрезной диск в месте резки отделяется от Вашего тела, то в случае обратного удара электроинструмент с вращаю- щимся диском может отскочить прямо на Вас.
- c) При заклинивании отрезного диска или по ка- кой-либо причине Вам пришлось прекратить работу, выключите электроинструмент и дер- жите его неподвижно до полного окончания

вращения диска. Никогда не пытайтесь вынуть еще вращающийся диск из разреза, так как это может привести к обратному удару. Установите и устраните причину заклинивания.

- d) Никогда не включайте повторно электроинструмент, до тех пор, пока отрезной диск находится еще в заготовке. Дайте отрезному диску достигнуть полного числа оборотов перед тем, как внимательно продолжите резание. В противном случае диск может засесть, выскочить из детали или отскочить.
- e) Плиты или детали с большими размерами необходимо подстраховать дополнительными опорами в целях уменьшения опасности заклинивания и обратного удара. Детали больших размеров могут провисать под тяжестью собственного веса. Деталь должна лежать на опорах с двух сторон диска, как вблизи разреза, так и по краям детали.
- f) Будьте особенно осторожны при выполнении резов с „погружением” в существующие стены или другие непросматриваемые (замурованные) участки. Погружающийся внутрь диск может порезать газопроводные или водопроводные трубы, электрическую проводку или другие объекты, что может привести к обратному удару.

Специальные указания по безопасности при работе с проволочными щетками:

- a) Имейте в виду, что даже при нормальной работе с проволочных щеток падает проволока. Не перегружайте проволоку чрезмерным усилием прижатия. Отлетающие куски проволоки легко проникают через тонкую одежду и/или кожу.
- b) Если при работе с проволочной щеткой рекомендуется использовать защитный кожух, не допускайте соприкосновения кожуха с дисковой (тарельчатой) или чашечной щеткой. Тарельчатые или чашечные проволочные щетки могут увеличивать свой диаметр под воздействием усилия прижатия и центробежных сил.

V - Знакомство с электроинструментом

До начала работы, ознакомьтесь со всеми оперативными особенностями электроинструмента и условиями техники безопасности.

Используйте электроинструмента и его принадлежности только по предназначению. Любое другое приложение категорически запрещено.

1. Шпиндель
- 2.1. Предохранитель для шлифовального диска
- 2.2. Предохранитель для отрезного диска *
3. Опорный фланец
- 4.1. Шлифовальный диск (Использовать только вместе с предохранителем для шлифовального диска!)*
- 4.2. Отрезной диск (Использовать только вместе с

- предохранителем для отрезного диска!)*
5. Зажимный фланец
6. Дополнительная рукоятка
7. Выключатель
8. Стопор шпинделя

ПРИНАДЛЕЖНОСТИ, КОТОРЫЕ МОГУТ ИСПОЛЬЗОВАТЬСЯ НА ЭТОМ ЭЛЕКТРОИНСТРУМЕНТЕ *

9. Металлическая щетка
10. Абразивные диски для резки и шлифовки
11. Лепестковый шлифовальный круг
12. Антивибрационная рукоятка

* Основные принадлежности, которые могут использоваться с этой машиной, предлагаемые компанией SPARKY, представлены на стр. 96-99, включая каталожные номера. Они не входят в комплектацию.

VI - Указания по работе

Эти электроинструменты подключаются только в сеть однофазного переменного напряжения. Имеют двойную изоляцию согласно EN 60745 и IEC 60745-1 и могут подключаться в розетки без защитных клемм. Радиопомехи соответствуют Директиве 2004/108/ЕС Европейского парламента и Совета по электромагнитной совместимости. Этот электроинструмент предназначен для резки, шлифовки и чистки металлов без использования воды.

ДО НАЧАЛА РАБОТ

- Машина может быть оснащена предохранителем фабрично. Убедитесь, что предохранитель установлен правильно и надежно зафиксирован перед первым и каждым последующим использованием.
- Машина может быть оснащена диском фабрично. Убедитесь, что диск установлен правильно и надежно зафиксирован перед первым и каждым последующим использованием
- Проверьте соответствие напряжения электросети с обозначенными на табличке техническими данными электроинструмента.
- Проверьте положение выключателя. Электроинструмент следует подключать и отключать от сети питания только при выключенном выключателе. Если вставить штепсель в розетку при включенном выключателе, электроинструмент немедленно приводится в действие, что может привести к травме.
- Убедитесь в исправности кабеля питания и штепселя. Если кабель поврежден, во избежание возможных рисков, его замену осуществляет только производитель или его сервисный специалист.



ПРЕДОСТЕРЕЖЕНИЕ: Всегда отключайте электроинструмент и вынимайте штепсель из розетки перед тем, как приступить к любой настройке, обслуживанию или поддержанию, а также в случае отсутствия электрического напряжения.

- Проверьте соответствие диаметра и толщины диска указанным техническим данным. Обозначенные на диске допустимые показатели периферийной скорости не должны быть ниже 80 м/с. Диски следует хранить согласно инструкциям производителя.
- Если зона работ удалена от источника питания, используйте наиболее короткий возможный удлинитель с подходящим сечением.
- Проверьте правильность и надежность монтажа дополнительной рукоятки.

ЗАЩИТНЫЙ КОЖУХ



ПРЕДОСТЕРЕЖЕНИЕ: Предохранитель (2.1) для шлифовального диска, или предохранитель (2.2) для отрезного диска (соответственно, для шлифовального диска (4.1) или для отрезного диска (4.2)) должен быть всегда смонтирован на инструменте!

Положение кожуха зависит от того, с какой стороны находится дополнительная рукоятка.

УКАЗАНИЯ ПО МОНТАЖУ ПРЕДОХРАНИТЕЛЯ

Перед тем, как приступить к следующим операциям, необходимо выключить штепсель электроинструмента из электророзетки.

1. Монтаж предохранителя

- Откройте стяжной рычажок (15) и немного ослабьте шуруп (16). (Рис.1)
- Вставьте предохранитель (2) так, чтобы шпонки (14) предохранителя совпали со шлицами (17) и нажмите его вниз, чтобы он вошел в канал (18) гнезда (Рис.2а, b)
- Затяните шуруп (16) до положения, при котором расстояние между кольцом предохранителя и гнездом подшипника позволяло небольшое прокручивание.
- Поверните предохранитель в желаемую позицию.
- Закройте рычажок (15) для фиксации предохранителя.
- При необходимости, повторите операцию уменьшения расстояния между кольцом предохранителя и гнездом подшипника.

2. Установка предохранителя в новое рабочее положение

- Откройте рычажок (15).
- Поверните предохранитель в новое рабочее положение.
- Закройте рычажок (15).

МОНТАЖ ДИСКА

Шпиндель (1) шлифовальной машины фиксируется путем нажатия на кнопку (8), расположенную на редукторной коробке электроинструмента.



ПРЕДОСТЕРЕЖЕНИЕ: Запрещается нажимать на кнопку (8) во время вращения шпинделя.

- Вставьте опорный фланец (3) шлицами вниз (Рис.3)
- Вставьте диск (4) точно на опорный фланец надписями вниз (Рис.4)
- Вставьте стягивающий фланец (5) плоской стороной к диску (4) и закрутите вручную. Вставьте двурогий ключ в отверстия фланца (5) (Рис.5)
- Нажимая на кнопку фиксации шпинделя (8), крепко закрутите фланец (5) с помощью двурогого ключа (Рис.6а, b)

После монтажа диска включите машину для работы без нагрузки в течение около одной минуты. Вибрирующие или неравномерно вращающиеся диски следует немедленно заменить.

Металлическая щетка (9) прикручивается к шпинделю (1) с помощью гаечного ключа. (Длина резьбы щетки должна быть достаточно длинной, чтобы охватить резьбу шпинделя).

ДОПОЛНИТЕЛЬНАЯ РУКОЯТКА

Обычно дополнительная рукоятка (6) устанавливается с левой стороны углошлифовальной машины. Ее можно поставить и с правой стороны, если так удобнее работающему.

ПУСК - ОСТАНОВКА

Пуск: Ползун выключателя 7 нажимается в задней части и после этого перемещается вперед по направлению стрелки до момента, пока его передняя часть не попадет в углубление и не застопорится.

Остановка: Задний, приподнятый край ползуна 7 нажимается и оставляется самостоятельно вернуться в исходное положение.



ПРЕДОСТЕРЕЖЕНИЕ: При низких температурах, или после длительного простоя включите электроинструмент для работы на холостой ход в течение около минуты, для восстановления нормального режима работы. Это улучшает смазку и продлевает срок использования электроинструмента.

РЕКОМЕНДАЦИИ

Во время резки не упражняйтесь натиск и не перемещайте диск поперек разреза. Применяйте умеренный натиск, соответствующий обрабатываемому материалу.

Соблюдайте направление резки. Машину следует направлять в сторону, обратную вращению диска. В противном случае существует опасность неконтро-

лируемого выхода диска за рамки разреза. (Рис.7)
При резке профилей и труб с прямоугольным сечением, рекомендуется начинать резку с наименьшей стороны.

При шлифовке не прижимайте машину к обрабатываемой поверхности, двигайте диск плавно вперед-назад. Легкие металлы следует обрабатывать специальными дисками. Наилучший результат при грубой шлифовке достигается при 30–40-градусном наклоне между диском и обрабатываемой поверхностью. При грубой шлифовке не допускается использование дисков для резки. Использование дисков толщиной более 6 мм не рекомендуется.

VII - Обслуживание



ПРЕДОСТЕРЕЖЕНИЕ: Всегда выключайте электроинструмент и вынимайте штепсель из розетки перед тем, как приступить к любой проверке или обслуживанию.

ЗАМЕНА ЩЕТОК

Электроинструмент снабжен самовыключающимися щетками. В случае изнашивания, щетки следует одновременно заменить на новые оригинальные щетки в сервисе SPARKY (гарантийный и вне-гарантийный ремонт).

ОБЩАЯ ПРОВЕРКА

Регулярно проводите проверку всей креплений - они должны быть крепко затянуты. В случае, если какой-либо винт откручен, его следует немедленно закрутить во избежание опасности.

В случае повреждения кабеля питания, его замену должен произвести изготовитель или его сервисный специалист, во избежание опасности.

УХОД

Для обеспечения безопасной работы всегда поддерживайте в чистоте и машину, и ее вентиляционные отверстия.

Регулярно проверяйте вентиляционные отверстия электродвигателя или переключателей на наличие пыли или чужеродных тел. Используйте мягкую щетку и/или струю воздуха для удалений пыли. Во избежание повреждения глаз, во время ухода за устройством пользуйтесь защитными очками.

Если корпус машины загрязнен, протрите его мягкой влажной салфеткой. Можно использовать слабый моющий препарат.



ПРЕДОСТЕРЕЖЕНИЕ: Не допускается употребление спирта, бензина и прочих растворителей. Никогда не пользуйтесь разбавляющими препаратами для чистки пластмассовых частей.



ПРЕДОСТЕРЕЖЕНИЕ: Не допускается попадание и контакт устройства с водой.

ВАЖНО! В целях обеспечения безопасности работы электроинструмента и его надежности, все ремонтные работы, обслуживание и регулировку устройства (включительно проверку и замену щеток) следует проводить в специализированных сервисах SPARKY, используя исключительно оригинальные запасные части.

VIII - Гарантия

Гарантийный срок электроинструментов SPARKY указан в гарантийной карте.

Неисправности, появившиеся в результате естественного изнашивания, перегрузки или неправильной эксплуатации, не входят в гарантийные обязательства.

Неисправности, появившиеся вследствие применения некачественных материалов и/или из-за производственных ошибок, устраняются без дополнительной оплаты путем замены или ремонта.

Рекламации дефектного электроинструмента SPARKY принимаются в том случае, если машина будет возвращена поставщику, или специализированному гарантийному сервису в не разобранном (первоначальном) состоянии.

Замечания

Внимательно прочитайте всю инструкцию по эксплуатации перед тем, как использовать это изделие.

Производитель сохраняет за собой право вносить в свои изделия улучшения и изменения, а также изменять спецификации без предупреждения.

Спецификации для разных стран могут различаться.

Зміст

I - Вступ.....	76
II - Технічні дані.....	78
III - Загальні вказівки з техніки безпеки під час роботи з електроінструментами.....	79
IV - Додаткові вказівки по роботі з кутошліфувальними машинами.....	80
V - Ознайомлення з електроінструментом.....	A/82
VI - Вказівки щодо роботи.....	83
VII - Обслуговування.....	84
VIII - Гарантія.....	85

РОЗПАКУВАННЯ

Електроінструмент поставляється укомплектованим, у справному вигляді. У разі виявлення невідповідностей не рекомендуємо використовувати інструмент до тих пір, поки виявлений дефект не буде усунуто. Невиконання цієї рекомендації може стати причиною травми.

ЗБІРКА

Кутошліфувальна машина постачається в упаковці, у повністю зібраному вигляді, за винятком запобіжника і додаткової рукоятки.

I - Введення

Придбаний Вами електроінструмент SPARKY перевершить Ваші очікування. Він зроблений у відповідності до високих стандартів якості SPARKY, що відповідають суворим вимогам споживача. Його легко обслуговувати і він безпечний при експлуатації, при правильному використанні цей електроінструмент буде служити Вам довгі роки.



ЗАСТЕРЕЖЕННЯ!

Прочитайте уважно і цілком інструкцію з експлуатації, перед використанням новопридбаного електроінструменту SPARKY. Зверніть спеціальну увагу на параграфи, позначених словом "**Застереження**". У Вашого електроінструменту SPARKY багато якостей, які полегшують роботу. При розробці цього інструменту основну увагу було направлено на безпеку, експлуатаційні якості і надійність, які полегшують його обслуговування і експлуатацію.



Не викидайте електроінструменти разом з побутовими відходами!

Відходи від електричних виробів не варто збирати разом з побутовими відходами. Будь ласка, викидайте в місцях, призначених для цього. Зв'яжіться з місцевою владою або представником для консультації щодо повторної переробки.



ОХОРОНА НАВКОЛИШНЬОГО СЕРЕДОВИЩА

З урахуванням охорони навколишнього середовища електроінструмент, приналежності й упаковка повинно надати відповідній переробці для повторного використання сировини, що міститься в них. Для полегшення повторної переробки деталей, зроблених з штучних матеріалів, вони позначені відповідним чином.

ОПИС СИМВОЛІВ

На таблиці з даними електроінструменту нанесені спеціальні символи. Вони являють собою важливу інформацію про використання інструмента і його характеристики.



Завжди надягайте захисні окуляри.



Подвійна ізоляція для додаткового захисту.



Приєднувальна різьба шпинделя: M10



Приєднувальна різьба шпинделя: M14



Відповідає чинним європейським директивам



Відповідність вимогам російських нормативних документів



Відповідність вимогам українських нормативних документів



Ознайомтеся з інструкцією з експлуатації


YYYY-Www

Термін виробництва, де змінними символами є:
YYYY - рік випуску, ww – черговий календарний тиждень

M

КУТОШЛІФУВАЛЬНА МАШИНА

II - Технічні дані

Модель	M 600	M 650	M 720
▪ Споживана потужність	600 W	650 W	720 W
▪ Оберти на неробочому ході	11000 min ⁻¹	11000 min ⁻¹	11000 min ⁻¹
▪ Приєднувальна різьба шпинделя:	M10	M14	M14
▪ Довжина нарізу шпинделя	20 mm	20 mm	20 mm
▪ Внутрішній діаметр шліфувального диска	16	22,23	22,23
▪ Максимальний діаметр шліфувального диска	100 mm	115 mm	125 mm
▪ Максимальна товщина шліфувального диска	6 mm	6 mm	6 mm
▪ Вага (EPTA процедура 01/2003)	1,2 kg	1,2 kg	1,2 kg
▪ Клас захисту (EN 60745-1) 	II	II	II
ІНФОРМАЦІЯ ПРО ШУМ ТА ВІБРАЦІЇ (Показники заміряні згідно EN 60745.)			
▪ Рівень шуму, що виділяється			
A-зважений рівень звукового тиску L _{РА}	94.2 dB(A)	94.2 dB(A)	94.2 dB(A)
Невизначеність K _{РА}	3 dB	3 dB	3 dB
A-зважений рівень звукової потужності L _{WA}	105.2 dB(A)	105.2 dB(A)	105.2 dB(A)
Невизначеність K _{WA}	3 dB	3 dB	3 dB



Користуйтеся засобами захисту від шуму!

▪ Рівень вібрацій*			
<i>Загальний рівень вібрацій (сума векторів у трьох осях), визначена згідно EN 60745:</i>			
▪ Шліфування поверхонь			
Показник вібрацій a _{h,AG}	4,2 m/s ²	4,3 m/s ²	4,5 m/s ²
Невизначеність K _{AG}	1,5 m/s ²	1,5 m/s ²	1,5 m/s ²
▪ Шліфування наждачним папером			
Показник вібрацій a _{h,DS}	3,9 m/s ²	4,0 m/s ²	4,2 m/s ²
Невизначеність K _{DS}	1,5 m/s ²	1,5 m/s ²	1,5 m/s ²

* Рівень вібрацій визначений згідно п. 6.2.7 EN 60745-1.

* Вказаний в інструкції рівень вібрацій виміряний відповідно до встановлених EN 60745 методик випробувань, і може використовуватися для порівняння електроінструментів. Рівень вібрацій може використовуватися для попередньої оцінки впливу.

Зазначений рівень вібрацій надано за умови використання інструменту за його прямим призначенням. У тих випадках, коли електроінструмент використовується для інших цілей, з іншими речами, рівень вібрацій може відрізнятись від зазначеного. У цих випадках рівень впливу може значно зрости в рамках загального періоду роботи.

Для точної оцінки впливу вібрацій, під час певного періоду роботи необхідно враховувати проміжки часу, в які електроінструмент вимкнено, або хоча і включений, але фактично не використовується. Це може істотно скоротити вплив вібрацій протягом всього періоду роботи.

Зберігайте електроінструмент і його речі в гарному стані. Під час роботи намагайтеся зберігати руки теплими - це допоможе зменшити шкідливий вплив при роботі з підвищеною вібрацією.

Пил матеріалів, наприклад - фарби з вмістом свинцю, деяких сортів деревини, мінералів і металу може бути шкідливим для здоров'я. Дотик до пилу і потрапляння пилу в дихальні шляхи може викликати алергічні реакції та / або захворювання дихальних шляхів оператора або персоналу, що знаходиться поблизу.

Певні види пилу, наприклад, з дуба та бука, вважаються канцерогенними, особливо, спільно з присадками для обробки деревини (хромат, засіб для захисту деревини, тощо). Матеріал з вмістом азбесту дозволяється обробляти тільки фахівцям.

- По можливості застосовуйте відсмоктування пилу.
- Для досягнення максимально високої ефективності збирання пилу при роботі з даним приладом, використовуйте пилосос, призначений для збору пилу з деревини або для пилу з деревини та / або мінерального пилу.
- Слідкуйте за хорошою вентиляцією.
- Рекомендується користуватися дихальною захисною маскою з фільтром класу P2.

Дотримуйтеся розпорядження щодо оброблюваних матеріалів, що діють у Вашій країні.

III - Загальні вказівки з безпеки при роботі з електроприладами



ЗАСТЕРЕЖЕННЯ! Прочитайте всі **ЗАСТЕРЕЖЕННЯ** і вказівки з безпеки. Недодержання попереджень і вказівок з безпеки може призвести до ураження електричним струмом, пожежі та / або важкого поранення.

Збережіть всі застереження та вказівки для подальшого використання.

Термін "електроприлад" у всіх зазначених нижче застереженнях стосується вашого електроприладу, з живленням від мережі (з кабелем), та / або електроприладу з живленням від акумуляторної батареї (без кабелю).

1. БЕЗПЕКА РОБОЧОГО МІСЦЯ

- Утримайте робоче місце в чистоті і добре освітленим. Безлад і недостатнє освітлення є передумовою виникнення трудових інцидентів.
- Не працюйте з електроприладами у вибухонебезпечній атмосфері при наявності займих рідин, газів або пилу. Електроприлади створюють іскри, що можуть займати пил або пари.
- Тримайте дітей та сторонніх осіб на відстані, коли працюєте з електроприладом. Розсіювання уваги може призвести до втрати контролю з Вашого боку.

2. ЕЛЕКТРИЧНА БЕЗПЕКА

- Штепселі електроприладів повинні відповідати контактним гніздам. Ніколи не змінюйте штепсель у будь-який спосіб. Не використовуйте будь-які адаптерні штепселі для електроприладів із захисним заземленням. Використання оригінальних штепселів і відповідних їм контактів зменшує ризик удару електричним струмом.
- Уникайте дотику тіла з землею або заземленими поверхнями, такими як труби, радіатори, кухонні плити та холодильники. Якщо ваше тіло заземлене, існує підвищений ризик ураження електричним струмом.
- Не захищайте електроприлади під дощем або у вологому середовищі. Проникнення води в електроприлади підвищує ризик ураження електричним струмом.
- Використовуйте кабель за призначенням. Ніколи не використовуйте кабель для перенесення електроприладу, натягування або відключення штепселя з контактного гнізда. Тримайте кабель далеко від тепла, олії, гострих кутів, що рухаються. Пошкоджені або заплутані кабелі підвищують ризик поразок електричним струмом.
- Під часзовнішніх робіт використовуйте по-

довжувач, що підходить для цих цілей. Використання подовжувача, призначеного длязовнішніх робіт, зменшує небезпеку від ураження електричним струмом.

- У випадку, якщо робота з електроприладом у вологому середовищі неминуча, використовуйте запобіжний пристрій, який робить на залишковому струмі для переривання подачі струму. Використання запобіжного пристрою зменшує ризик ураження електричним струмом.

3. ОСОБИСТА БЕЗПЕКА

- Будьте пильні, працюйте з підвищеною увагою і проявляйте розсудливість, коли працюєте з електроприладом. Не використовуйте електроприлад, коли ви стомлені, або під впливом наркотиків, алкоголю, медикаментів, тощо. Одна мить неухваги при роботі з електроприладом може призвести до серйозної виробничої травми.
- Використовуйте індивідуальні засоби захисту. Носіть завжди захисні окуляри. Індивідуальні засоби захисту, такі як маска проти пилу, неслизке взуття, захисний шолом або засоби для захисту слуху, що використовуються в конкретних умовах, знижують ризик виникнення виробничих травм.
- Уникайте мимовільного пуску інструменту. Переконайтеся, що вимикач знаходиться в положенні "вимкнено" перед включенням в джерело живлення та / або акумуляторної батареї, перед тим, візьмете в руки або перенесите. Носіння електроприладу з пальцем на вимикачі або підключення до джерела живлення електроінструменту з вимикачем у включеному положенні є передумовою для виробничої травми.
- Видаліть кожен гайковий ключ перед включенням електроприладу. Ключ для затягування або гайковий ключ, прикріплений до частини електроприладу, що обертається, може призвести до трудового інциденту.
- Не простягайтеся занадто. Підтримуйте правильне положення і рівновагу протягом всієї роботи. Це дозволить краще керувати електроприладом у несподіваних ситуаціях.
- Носіть придатний одяг. Не носіть широкий одяг або прикраси. Тримайте своє волосся, одяг і рукавички далеко від рухомих частин. Широкий одяг, біжутерія та довге волосся можуть потрапити в рухомі частини.
- Якщо електроприлад має пристосування для пилу, переконайтеся, що воно правильно встановлено і правильно використовується. Використання цих пристроїв може знизити пов'язані з пилом небезпеки.

4. ЕКСПЛУАТАЦІЯ І ДОГЛЯД ЗА ЕЛЕКТРОПРИЛАДАМИ

- Не перевантажуйте електроприлад. Використовуйте правильно вибраний електроприлад згідно з його призначенням. Правильно підібраний електроприлад працює краще і безпечніше

для оголошеного режиму роботи, для якого він спроектований.

- b) Не використовуйте електроприлад у випадку, якщо вимикач не переходить у включену і виключену позицію. Кожен електроприлад, який не може управлятися за допомогою вимикача, є небезпечним і підлягає ремонту.
- c) Вимкніть штепсель від електромережі перед тим, як почати будь-які налаштування, перед заміною приладдя або перед тим, як прибрати електроприлад для зберігання. Ці запобіжні заходи знижують ризик мимовільного пуску електроприладу.
- d) Зберігайте невикористані електроприлади в місцях, недоступних для дітей, і не дозволяйте користуватися ним обслуговуючому персоналу, який не знайомий з електроприладом або інструкціями з експлуатації. Електроприлади є небезпечними в руках ненавчених споживачів.
- e) Перевіряйте електроприлади. Перевіряйте, чи працюють нормально і рухаються вільно рухомі частини, чи знаходяться в цілості і справності усі частини, а також перевіряйте всі інші обставини, які можуть негативно вплинути на роботу електроприладу. У разі ушкодження електроприлад необхідно відремонтувати перед його подальшим використанням. Багато інцидентів заподіюються у випадку поганого обслуговування електроприладів.
- f) Підтримуйте ріжучі інструменти гострими і чистими. Правильно підтримані ріжучі інструменти з гострими кутами рідше блокуються і простіше управляються.
- g) Використовуйте електроприлад, належності (комплектуючі) і частини інструменту і т.д. відповідно до цих інструкцій та у засіб, передбачений для конкретного типу електроприладу, маючи на увазі робочі умови і роботу, яку необхідно виконувати. Використання електроприладу для роботи не за призначенням може призвести до небезпечної ситуації.

5. ТЕХНІЧНЕ ОБСЛУГОВУВАННЯ

- a) Ремонтуйте ваш електроприлад у кваліфікованого фахівця з ремонту, при цьому використовуйте тільки оригінальні запасні частини. Це забезпечує безпеку електроприладу.

IV - Додаткові вказівки щодо роботи з кутошліфувальними машинами

Загальні вказівки безпеки по шліфуванню абразивним диском, чищенням з дротяними щітками і різанню абразивним диском:

- a) Цей електроінструмент може використовуватися в якості шліфувальної машини з абразивним диском, із дротяними щітками і машини для нарізання з абразивним диском. Прочитайте уважно всі вказівки з безпеки, ін-

струкції, ілюстрації і дані, які Ви отримали з електроінструментом. Недотримання вказівок з безпеки може призвести до ураження електричним струмом, виникнення пожежі та/або отримання серйозних травм.

- b) Цей електроінструмент не придатний для пілювання. Виконання робіт, для яких цей електроінструмент не передбачений, може стати причиною небезпек і травм.
- c) Не користуйтеся приладдям (насадками), що не дозволені і не рекомендуються виробником спеціально для даного електроінструмента. Можливість кріплення приладдя до Вашого електроінструменту не гарантує безпечного використання.
- d) Допустима кількість обертів приладдя повинна бути не менше максимального числа обертів, зазначеного на електроінструменті. Приладдя, які обертаються зі швидкістю, що перевищує їх номінальну швидкість, можуть зламатися і розлетітися у просторі.
- e) Зовнішній діаметр і товщина робочого інструмента повинні бути не менше зазначених розмірів Вашого електроінструменту. Приладдя невідповідного розміру не можуть бути захищені або контролюватися у достатній мірі.
- f) Шліфувальні диски, затягуючі фланці, еластичні диски або інше приладдя повинні точно сидіти на шпинделі Вашого електроінструменту. Приладдя, що неточно сидить на шпинделі електроінструменту, обертається нерівномірно, сильно вібрає і може призвести до втрати контролю.
- g) Не використовуйте пошкоджене приладдя. Перед кожним використанням перевіряйте приладдя: шліфувальні диски - на щербини і тріщини, еластичні диски - на тріщини, розриви або сильний знос, дротяні щітки - на незакріплені або поламані дроти. У разі випадкового падіння електроінструменту або приладдя, перевірте інструмент на наявність пошкоджень або встановіть неушкоджене приладдя. Після перевірки й встановлення приладдя, Ви та особи, що знаходяться поблизу, мають зайняти місце за межами площини обертання приладдя і дати електроінструменту попрацювати на максимальних обертах на неробочому ходу протягом однієї хвилини. Зазвичай цього часу достатньо для того, щоб пошкоджене приладдя зламалося.
- h) Застосуйте засоби індивідуального захисту. В залежності від конкретного випадку, користуйтеся захисним щитком для обличчя або захисними окулярами. У разі необхідності використовуйте протипилові респіратор, засоби захисту слуху, захисні печатки або спеціальний халат, який затримує дрібні частинки, що розлітаються від шліфувальної насадки або оброблюваної деталі. Засоби для захисту очей повинні захищати їх від різних предметів, що летять під час виконання різних операцій. Протипиловий респіратор і газозахисні маски організм дихання повинні затримувати пил під час роботи. Тривалий вплив сильного

шуму може призвести до втрати слуху.

- i) Слідкуйте за тим, щоб інші особи перебували на безпечній відстані від Вашої робочої ділянки. Всі, хто знаходиться у межах робочої ділянки, повинні носити засоби індивідуального захисту. Летючі осколки оброблюваних деталей або поламаного приладдя можуть відлетіти убік і заподіяти травму навіть за межами безпосередньо робочої ділянки.
- j) Якщо існує можливість контакту ріжучого приладдя з прихованою електропроводкою або з власним дротом живлення, тримайте електроінструмент тільки за ізольовані поверхні рукояток. Контакт приладдя зі струмоведучим проводом ставить під напругу також відкриті металеві частини електроінструменту і може призвести до ураження оператора електричним струмом.
- k) Тримайте шнур живлення у стороні від приладдя, що обертається (насадки). У разі втрати контролю над приладом, шнур може бути розірваний або захоплений, частиною, що обертається, а Ваша кисть може потрапити під інструмент, що обертається.
- l) Ніколи не відпускайте електроінструмент із рук, поки приладдя повністю не припинить обертатися. Приладдя, що обертається, може зачепити оброблюваний матеріал, у результаті чого Ви втратите контроль над електроінструментом.
- m) Вимикайте електроінструмент під час транспортуювання. Ваш одяг може бути випадково захоплений приладдям, що може завдати Вам травму.
- n) Регулярно очищайте вентиляційні отвори електроінструменту. Вентилятор електродвигуна засмоктує пилю у корпус, а надмірне скучення металевих пилю може призвести до небезпеки від ураження електричним струмом.
- o) Не використовуйте електроінструмент поблизу легкозаймистих матеріалів. Іскри можуть призвести до займання цих матеріалів.
- p) Не застосовуйте приладдя, для роботи з яким необхідно використовувати охолоджуючі рідини. Застосування води або інших охолоджуючих рідин може призвести до ураження або удару електричним струмом.
 - Електроінструмент слід використовувати тільки за призначенням. Будь-яке інше застосування, що відрізняється від зазначеного у цій інструкції, вважається неправильним застосуванням. Відповідальність за будь-яке пошкодження або поранення, викликане неправильним застосуванням, несе споживач, а не виробник.
 - Виробник не несе відповідальності у разі ввєнення споживачем модифікації в електроінструмент або за пошкодження, викликані такими модифікаціями.
 - Під час роботи у пильному середовищі вентиляційні отвори машини слід підтримувати у чистоті. Якщо необхідно видалити пилю, спочатку слід відключити електроживлення. Видаляти пил слід неметалевими

предметами для чищення пилю, оберігаючи внутрішні деталі машини від пошкоджень. Електроінструмент буде перегріватися у разі порушення охолодження у зв'язку з пильовими вентиляційними отворами.

Інші вказівки з безпеки всіх операцій

Зворотний удар (відскік) і пов'язані з ним вказівки з безпеки

Зворотний удар - це раптова реакція, яка є наслідком заклинювання або блокування приладдя, наприклад шліфувального диска, еластичного диска, дротяної щітки і т.п. Заклинювання або блокування приводить до раптової зупинки обертання приладдя, яке зі свого боку виштовхує неконтрольований електроінструмент у сторону, протилежну напрямку обертання робочого інструмента у точці заклинювання.

Наприклад, якщо шліфувальний диск заклинить або блокує у деталь (заготовку), то занурена у заготовку крошка шліфувального диска застряє, внаслідок чого диск може зламатися або спровокувати відскік. Шліфувальний диск відскакує у сторону оператора або від нього, у залежності від напрямку обертання диска у місці блокування. В цьому випадку шліфувальні диски можуть зламатися.

Зворотний удар є наслідком неправильного використання та/або неправильної експлуатації або умов роботи з електроінструментом, і може бути попереджений за допомогою нижчеперелічених заходів безпеки.

- a) Тримайте міцно електроінструмент, прийміть відповідну позу і поставте руки таким чином, щоб Ви змогли протидіяти силі зворотного удару. Завжди використовуйте додаткову рукоятку за її наявності, щоб якомога краще протидіяти і здійснювати контроль над силою відскоку або реактивним моментом під час запуску. Завдяки правильним заходам безпеки оператор може контролювати реактивний момент і відскік.
- b) Ваші руки ніколи не повинні знаходитися поблизу приладдя, що обертається. Приладдя може відскочити і потрапити на Ваші руки.
- c) Тримайтеся осторонь від ділянки, по якій електроінструмент може рухатися у разі зворотного удару. Відскік веде електроінструмент у напрямку, протилежному рухові шліфувального диска у місці блокування.
- d) Під час обробки кутів, гострих кромок та іншого, працюйте з підвищеною увагою. Не дозволяйте приладдю відскакувати або блокувати деталь. Під час обробки кутів і гострих кромок існує ймовірність заклинювання приладдя, що обертається, що може призвести до втрати контролю або відскоку.
- e) Не використовуйте ланцюгові або циркулярні диски для обробки деревини. Дане приладдя часто є причиною відскоку або втрати контролю над електроінструментом.
 - Фіксуйте положення оброблюваної деталі у лещатах або іншим відповідним способом.

Спеціальні вказівки з безпеки по шліфуванню та різанню абразивним диском:

- a) Використовуйте тільки рекомендовані для даного електроінструмента диски з передбачуваним для них запобіжником. Диски, не передбачені для даного електроінструмента, не можуть бути достатньо екрановані і небезпечні.
- b) Захисний кожух повинен закріплюватися надійно до електроінструменту і налаштований так, щоб забезпечувати максимальну безпеку, тобто у бік оператора повинна бути відкрита як можна менша частина диска. Захисний кожух має захищати оператора від уламків, випадкового контакту з диском і іскор, які змогли б підпалити одяг.
- c) Диски необхідно застосовувати тільки для рекомендованих робіт. Наприклад, ніколи не шліфуйте бічною поверхнею відрізного диска. Відрізни диски призначені для знімання матеріалу по кромці диска. Бічний тиск на такий диск може привести до його поломки.
- d) Завжди застосовуйте неушкоджені фланці для затягнення з відповідними розмірами і формою для обраного диска. Правильно обрані фланці, що затягують закріплюють диск і зменшують вірогідність його поломки. Фланці, що затягають для відрізних дисків можуть відрізатися від фланців, що затягають для інших видів дисків.
- e) Не використовуйте зношені диски, призначені для електроінструментів більших габаритів. Диск для великих електроінструментів не підходить для більш високих швидкостей малих електроінструментів і може зламатися.
 - Завжди дотримуйтесь напрямку руху диска. Реактивна сила діє у протилежному обертанню напрямку у місці шліфування або різання, й є передумовою втрати контролю над приладом.
 - Утримуйте машину таким чином, щоб іскри та пил під час шліфування відсакували вбік від вас. Електроінструменти утворюють іскри, які можуть пропалити одяг або незахищені частини тіла.
 - Не допускається шліфування та різання свіжопофарбованих металевих конструкцій із невисохлою фарбою. Існує небезпека займання невисохлої фарби.
 - Не допускається різання займистих матеріалів (дерева, пластмаси тощо), а також панельних конструкцій типу «сандвіч», наповнених займистих наповнювачем. Існує небезпека виникнення пожежі.
 - Не допускається шліфування та різання споруд, що працюють під тиском. Існує небезпека вибуху.
 - Не допускається шліфування та різання резервуарів, трубопроводів, апаратів тощо, в яких є, або були займисті або легко займисті речовини і матеріали, без попередніх спеціальних заходів протипожежної і вибухонебезпечної безпеки. Існує небезпека виникнення пожежі або вибуху.

Спеціальні вказівки з безпеки під час різання з абразивним диском

- a) Уникайте заклинювання відрізного диску або надмірного тиску на нього. Не намагайтеся виконувати надто глибокі порізи. Перевантаження відрізного диска збільшує можливість його зношування, а звідси - і можливість до зворотного удару (відскоку) або поломки диска.
 - b) Не стійте на ділянці перед/позаду диска, що обертається. Якщо відрізний диск у місці різання віддаляється від Вашого тіла, то у разі зворотного удару електроінструмент із обертовим диском може відскочити прямо на Вас.
 - c) У разі заклинювання відрізного диска або якщо з якоїсь причини Вам довелося припинити роботу, вимкніть електроінструмент і тримайте його нерухомо до повного зупинення обертання диска. Ніколи не намагайтеся вийняти диск, що ще обертається з розрізу, так як це може привести до зворотного удару. Встановіть й усуньте причину заклинювання.
 - d) Ніколи не включайте повторно електроінструмент, до тих пір, поки відрізний диск знаходиться ще у заготівці. Дайте відрізаному диску досягти повного числа обертів перед тим, як уважно продовжити різання. В іншому випадку диск може засісти, вискочити з стелі або відскочити.
 - e) Плити або деталі з великими розмірами необхідно підстрахувати додатковими опорами з метою зменшення небезпеки заклинювання і зворотного удару. Деталі великих розмірів можуть провисати під вагою власної ваги. Деталь повинна лежати на опорах із двох сторін диска, як поблизу розрізу, так і по краях деталі.
 - f) Будьте особливо обережні під час виконання розрізів із «зануренням» в існуючі стіни або інші ділянки, що не проглядаються (замуровані). Диск, що занурюється всередину, може порізати газопровідні або водопровідні труби, електричну проводку або інші об'єкти, що може привести до зворотного удару.
- Спеціальні вказівки з безпеки під час роботи з дротяними щітками:
- a) Майте на увазі, що навіть під час нормальної роботи з дротяних щіток падає дріт. Не притискайте дріт надмірним зусиллям притиснення. Шматки дроту, що відлітають, легко проникають через тонкий одяг та/або шкіру.
 - b) Якщо під час роботи з дротяною щіткою рекомендується використання захисного кожуху, не допускайте зіткнення кожуха з диском (тарілчастотою) або чашковою щіткою. Тарілчасті або чашкові дротяні щітки можуть збільшувати свій діаметр під впливом зусилля притиснення і відцентрових сил.

V - Ознайомлення з електроінструментом

Перед початком роботи, ознайомтеся з усіма функціональними особливостями електроінструменту й умовами техніки безпеки.

Використовуйте електроінструмент і приладдя тільки за призначенням. Будь-яке інше застосування категорично заборонене.

1. Шпindel
- 2.1. Запобіжник для шліфувального диску
- 2.2. Запобіжник для відрізного диску*
3. Опорний фланець
- 4.1. Шліфувальний диск (Використовувати тільки з запобіжником для шліфувального диску!)*
- 4.2. Відрізний диск (Використовувати тільки разом із запобіжником для відрізного диска!)*
5. Фланець для затискання
6. Додаткова рукоятка
7. Вимикач
8. Стопор шпинделя

ПРИЛАДДА, ЩО МОЖЕ ВИКОРИСТОВУВАТИСЯ НА ЦЬОМУ ЕЛЕКТРОІНСТРУМЕНТІ.*

9. Металева щітка
10. Абразивні диски для різання та шліфування
11. Пелюстковий шліфувальний круг
12. Антивібраційна рукоятка

* Основне приладдя, що може використовуватися з цією машиною та пропонується компанією SPARKY, представлено на стр. 96-99, враховуючи номери каталогу. Воно не входить до комплектації.

VI - Вказівки щодо роботи

Ці електроінструменти підключаються тільки у мережу однофазної змінної напруги. Мають подвійну ізоляцію згідно EN 60745 й IEC 60745-1 і можуть підключатися у розетки без захисних клем. Радіоперешкоди відповідають Директиві 2004/108/ЄС Європейського Парламенту та Ради щодо електромагнітної сумісності.

Цей електроінструмент призначений для різання, шліфування і чищення металів без використання води.

ДО ПОЧАТКУ РОБІТ

- Машина може бути оснащена запобіжником фабрично. Переконайтеся, що запобіжник встановлений правильно і надійно зафіксований перед першим і кожним наступним використанням.
- Машина може бути оснащена диском фабрично. Переконайтеся, що диск встановлений правильно і надійно зафіксований перед першим і кожним наступним використанням
- Перевірте відповідність напруги електромережі щодо позначених на таблиці технічних даних електроінструменту.

- Перевірте положення вимикача. Електроінструмент слід підключати та відключати від мережі живлення тільки якщо вимикач вимкнений. Якщо вставити штепсель у розетку у разі включеного вимикача, електроінструмент негайно приводиться у дію, що може привести до травми.
- Переконайтеся у справності кабелю живлення і штепселя. Якщо кабель пошкоджений, для уникнення можливих ризиків його заміну здійснює тільки виробник або його сервісний фахівець.



ЗАСТЕРЕЖЕННЯ: Завжди відключайте електроінструмент та виймайте штепсель із розетки перед будь-яким налаштуванням, обслуговуванням або підтриманням роботи, а також у разі відсутності електричної напруги.

- Перевірте відповідність діаметру і товщини диска зазначеним технічним даним. Позначені на диску припустимі показники периферійної швидкості не повинні бути нижче 80 м/с. Диска слід зберігати згідно з інструкціями виробника.
- Якщо зона робіт віддалена від джерела живлення, використовуйте найкоротший подовжувач із відповідним перерізом.
- Перевірте правильність і надійність монтажу додаткової рукоятки.

ЗАХИСНИЙ КОЖУХ



ЗАСТЕРЕЖЕННЯ: Запобіжник (2.1) для шліфувального диска, або запобіжник (2.2) для відрізного диска (відповідно, для шліфувального диска (4.1) або для відрізного диска (4.2)) повинен бути завжди монтований на інструменті!

Положення кожуха залежить від того, з якого боку знаходиться додаткове руків'я.

ВКАЗІВКИ ПО МОНТАЖУ ЗАПОБІЖНИКА

Перед тим, як розпочати наступні операції, необхідно вимкнути штепсель електроінструменту з електророзетки.

1. Монтаж запобіжника

- Відкрийте стяжний важіль (15) і трохи розслабте шуруп (16). (Рис.1)
- Вставте запобіжник (2) так, щоб шпонка (14) запобіжника збіглася зі шліцом (17), і натисніть його вниз, щоб він увійшов у канал (18) гнізда (Рис. 2а, б)
- Затягніть шуруп (16) до положення, під час якого відстань між кільцем запобіжника і гніздом підшипника дозволяє невелике прокручування.
- Поверніть запобіжник у бажану позицію.
- Закрийте важіль (15) для фіксації запобіжника.
- У разі необхідності, повторіть операцію зменшення відстані між кільцем запобіжника і гніздом підшипника.

2. Установка запобіжника у нове робоче положення

- Відкрийте важіль (15).
- Поверніть запобіжник у нове робоче положення.
- Закрийте важіль (15).

МОНТАЖ ДИСКА

Шпindel (1) шліфувальної машини фіксується шляхом натискання на кнопку (8), розташовану на редукторній коробці електроінструменту.



ЗАСТЕРЕЖЕННЯ: Не допускається натискання кнопки (8) під час обертання шпінделя.

- Вставте опорний фланець (3) шліцями вниз (Рис.3)
- Вставте диск (4) точно на опорний фланець написами вниз (Рис. 4)
- Вставте стягуючий фланець (5) плоскою стороною до диска (4) і закрутіть вручну. Вставте дворігний ключ в отвори фланця (5) (Рис.5)
- Натискаючи на кнопку фіксації шпінделя (8), міцно закрутіть фланець (5) за допомогою дворігового ключа (Рис. 6а,б)

Після монтажу диска увімкніть машину для роботи без навантаження протягом близько однієї хвилини. Вібруючі або нерівномірно обертові диски слід негайно замінити.

Металева щітка (9) прикручується до шпінделя (1) за допомогою гайкового ключа. (Довжина різби щітки повинна бути досить довгою, щоб охопити різблення шпінделя).

ДОДАТКОВА РУКОЯТКА

Зазвичай додаткова рукоятка (6) встановлюється з лівого боку кутошліфувальної машини. Її можна поставити і з правого боку, якщо так зручніше тому, хто працює.

ПУСК - ЗУПИНКА

Пуск: Важіль вимикача (7) натискається у задній частині і після цього переміщається вперед у напрямку стрілки до моменту, поки його передня частина не потрапить у заглиблення і не застопориться.

Зупинка: Задній, підведений край важеля 7 натискається і залишається для самостійного повернення у початкове положення.



ЗАСТЕРЕЖЕННЯ: При низьких температурах, або після тривалого простою дозволите електроінструменту попрацювати на холостому ходу протягом хвилини для відновлення нормального режиму роботи. Це покращує змащування і подовжує термін експлуатації електроінструменту.

РЕКОМЕНДАЦІЇ

Під час різання не зменшуйте натиск і не переміщуйте диск поперек розрізу. Застосовуйте помірний натиск, що відповідає оброблюваному матеріалу. Дотримуйтеся напрямку різання. Машину слід направляти у бік, зворотний обертанню диска. В іншому випадку існує небезпека неконтрольованого виходу диска за рамки розрізу. (Рис. 7)

Під час різання профілів і труб із прямокутним перетином, рекомендується починати різання з найменшої сторони.

Під час шліфування не притискайте машину до оброблюваної поверхні, рухайте диск плавно вперед-назад. Легкі метали слід обробляти спеціальними дисками. Найкращий результат під час грубого шліфування досягається при 30-40-градусному нахилі між диском й оброблюваною поверхнею. Під час грубого шліфування не допускається використання дисків для різання. Використання дисків завтовшки більше 6 мм не рекомендується.

VII - Обслуговування



ЗАСТЕРЕЖЕННЯ: Завжди вимикайте електроінструмент та виймайте штепсель із розетки перед тим, як розпочати будь-яку перевірку або обслуговування.

ЗАМІНА ЩІТОК

Електроінструмент оснащений щітками, що вимикаються самостійно. У разі зношування, щітки слід одночасно замінити на нові оригінальні щітки у сервісі SPARKY (гарантійний та поза-гарантійний ремонт).

ЗАГАЛЬНА ПЕРЕВІРКА

Регулярно здійснюйте перевірку всіх кріплень - вони повинні бути міцно затягнуті. У випадку, якщо будь-який гвинт відкручений, його слід негайно закрутити щоб уникнути небезпеки.

У разі пошкодження кабелю живлення, його заміну повинен здійснити виробник або його сервісний фахівець, щоб уникнути небезпеки.

ДОГЛЯД

Для забезпечення безпечної роботи завжди підтримуйте у чистоті і машину, й її вентиляційні отвори.

Регулярно перевіряйте вентиляційні отвори електродвигуна або перемикачів на наявність пилу або сторонніх тіл. Використовуйте м'яку щітку та/або струмінь повітря для видалення пилу. Щоб уникнути пошкодження очей, під час догляду за пристроєм користуйтеся захисними окулярами.

Якщо корпус машини забруднений, протріть його м'якою вологою серветкою. Можна використовувати слабкий миючий засіб.



ЗАСТЕРЕЖЕННЯ: Не допускається застосування спирту, бензину та інших розчинників. Ніколи не користуйтеся їдкими препаратами для чищення пластмасових частин.



ЗАСТЕРЕЖЕННЯ: Не допускається попадання і контакт пристрою з водою.

ВАЖЛИВО! З метою забезпечення безпеки роботи електроінструменту і його надійності, всі ремонтні роботи, обслуговування і регулювання пристрою (враховуючи перевірку і заміну щіток) слід проводити у спеціалізованих сервісах SPARKY, використовуючи виключно оригінальні запасні частини.

VIII - Гарантія

Гарантійний термін електроприладів SPARKY вказаний в гарантійній карті

Несправності, що з'явилися в результаті природного зношування, перевантаження або неправильного користування, не входять до гарантійних зобов'язань.

Несправності, що з'явилися внаслідок застосування неякісних матеріалів та / або через виробничі помилки, усуваються без додаткової оплати шляхом заміни або ремонту.

Рекламації дефектного електроприладу SPARKY приймаються у тому випадку, якщо прилад буде повернуто постачальнику, або спеціалізованому гарантійного сервісу в не розібраному (початковому) стані.

Примітки

Уважно прочитайте всю інструкцію з експлуатації, перед тим, як приступити до використання виробу.

Виробник зберігає за собою право вносити у свої вироби поліпшення і зміни, а також змінювати специфікації без застереження.

Специфікації для різних країн можуть відрізнятися.

Съдържание

I – Въведение	86
II – Технически данни	88
III – Общи указания за безопасност при работа с електроинструменти.....	89
IV – Допълнителни указания за безопасност при работа с ъглошлифовъчни машини.....	90
V – Запознаване с електроинструмента	A/93
VI – Указания за работа	93
VII – Поддръжка	95
VIII – Гаранция.....	95

РАЗОПАКОВАНЕ

В съответствие с общоприетите технологии на едросерийно производство е малко вероятно Вашият електроинструмент да бъде неизправен или някоя от частите му да липсва. Ако забележите, че нещо не е наред, не работете с електроинструмента, докато повредената част не бъде заменена или неизправността не бъде отстранена. Неспазването на тази препоръка може да доведе до сериозна трудова злополука.

СГЛОБЯВАНЕ

Ъглошлифовъчната машина се доставя опакована и сглобена, с изключение на предпазителя и допълнителната ръкохватка.

I - Въведение

Новопридобитият от Вас електроинструмент SPARKY ще надхвърли Вашите очаквания. Той е произведен в съответствие с високите стандарти на качеството на SPARKY, отговарящи на строгите изисквания на потребителя. Лесен за обслужване и безопасен при експлоатация, при правилна употреба този електроинструмент ще Ви служи надеждно дълги години.



ПРЕДУПРЕЖДЕНИЕ!

Внимателно прочетете цялата инструкция за експлоатация преди да използвате новопридобития си електроинструмент SPARKY. Обърнете специално внимание на текстовете, които започват с думата “Предупреждение”. Вашият електроинструмент SPARKY притежава много качества, които ще улеснят Вашата работа. При разработката на този електроинструмент най-голямо внимание е обърнато на безопасността, експлоатационните качества и надеждността, които го правят лесен за поддръжка и експлоатация.



Не изхвърляйте електроинструменти заедно с битовите отпадъци!

Отпадъците от електрически изделия не трябва да се събират заедно с битовите отпадъци. Моля, рециклирайте на местата, предназначени за това. Свържете се с местните власти или представител за консултация относно рециклирането.



ОПАЗВАНЕ НА ОКОЛНАТА СРЕДА

С оглед опазване на околната среда електроинструментът, принадлежностите и опаковката трябва да бъдат подложени на подходяща преработка за повторно използване на съдържащите се в тях суровини. За облекчаване на рециклирането детайлите, произведени от изкуствени материали, са обозначени по съответния начин.

ОПИСАНИЕ НА СИМВОЛИТЕ

Върху табелката с данни на електроинструмента са означени специални символи. Те предоставят важна информация за изделието или инструкции за неговото ползване.



Винаги носете защитни очила.



Двойна изолация за допълнителна защита.



Присъединителна резба на вретеното M10



Присъединителна резба на вретеното M14



Съответства на приложимите европейски директиви.



Съответства на изискванията на руските нормативни документи



Съответства на изискванията на украинските нормативни документи



Запознайте се с инструкцията за използване

YYYY-Www Период на производство, където променливи символи са:
YYYY - година на производство, ww - поредна календарна седмица

M ЪГЛОШЛИФОВЪЧНА МАШИНА

II - Технически данни

Модел	M 600	M 650	M 720
▪ Консумирана мощност	600 W	650 W	720 W
▪ Обороти на празен ход	11000 min ⁻¹	11000 min ⁻¹	11000 min ⁻¹
▪ Присъединителна резба на вретеното	M10	M14	M14
▪ Дължина на резбата на вретеното	20 mm	20 mm	20 mm
▪ Вътрешен диаметър на шлифовъчния диск	16	22,23	22,23
▪ Максимален диаметър на шлифовъчния диск	100 mm	115 mm	125 mm
▪ Максимална дебелина на шлифовъчния диск	6 mm	6 mm	6 mm
▪ Тегло (ЕРТА процедура 01/2003)	1,2 kg	1,2 kg	1,2 kg
▪ Клас на защита (EN 60745-1) <input type="checkbox"/>	II	II	II
ИНФОРМАЦИЯ ЗА ШУМ И ВИБРАЦИИ (Стойностите са измерени съгласно EN 60745.)			
Излъчване на шум			
A-претеглено ниво на звуково налягане L _{рА}	94.2 dB(A)	94.2 dB(A)	94.2 dB(A)
Неопределеност K _{рА}	3 dB	3 dB	3 dB
A-претеглено ниво на звукова мощност L _{вА}	105.2 dB(A)	105.2 dB(A)	105.2 dB(A)
Неопределеност K _{вА}	3 dB	3 dB	3 dB
Използвайте средства за защита от шума!			
Излъчване на вибрации *			
<i>Обща стойност на вибрациите (векторна сума по трите оси), определена съгласно EN 60745:</i>			
▪ Шлифование на повърхнини			
Стойност на излъчените вибрации a _{h,AG}	4,2 m/s ²	4,3 m/s ²	4,5 m/s ²
Неопределеност K _{AG}	1,5 m/s ²	1,5 m/s ²	1,5 m/s ²
▪ Шлифование с шкурка			
Стойност на излъчените вибрации a _{h,DS}	3,9 m/s ²	4,0 m/s ²	4,2 m/s ²
Неопределеност K _{DS}	1,5 m/s ²	1,5 m/s ²	1,5 m/s ²

* Вибрациите са определени съгласно т. 6.2.7 на EN 60745-1.

Посоченото в тази инструкция ниво на вибрации е измерено в съответствие с методиката за изпитване, укавана в EN 60745 и може да се използва за сравняване на електроинструменти. Нивото на вибрации може да се използва за предварителна оценка на степента на въздействие.

Декларираното ниво на вибрации се отнася за основното предназначение на електроинструмента. В случаите, при които електроинструментът се използва за друго предназначение, с други принадлежности или ако електроинструментът не се поддържа добре, нивото на вибрации може да различава от посоченото. В тези случаи нивото на въздействие може значително да нарасне в границите на общия период на работа.

При оценката на нивото на въздействие на вибрации трябва също да се отчита времето, през което електроинструментът е изключен или е включен, но не се използва. Това може значително да понижи нивото на въздействие в границите на общия период на работа.

Поддържайте електроинструмента и принадлежностите в добро състояние. Пазете ръцете си топли по време на работа - това ще намали вредното въздействие при работа с повишени вибрации.

При други операции, например рязане с абразивен диск или почистване с телени четки, излъчените вибрации могат да имат други стойности.

Прахът, отделян при обработването на материали като оловосъдържащи бои, някои видове дървесина, минерали и метали, може да бъде опасен за здравето. Допирът или вдихването на праха може да предизвика алергични реакции и/или заболявания на дихателните пътища на оператора или на намиращи се в близост лица.

Някои видове прах, например от дъб или бук, се считат за канцерогенни, особено в комбинация с добавки за обработка на дървесина (хромат, консерванти). Материал, който съдържа азбест, трябва да се обработва само от специалисти.

- Когато това е възможно, използвайте прахоотвеждане.
- Осигурете добра вентилация на работното място.
- Препоръчва се използването на защитна маска за прах с филтър клас P2.

Спазвайте действащите във вашата страна разпоредби за обработване на съответните материали.

III - Общи указания за безопасност при работа с електроинструменти



ПРЕДУПРЕЖДЕНИЕ! Четете всички предупреждения и указания за безопасност. Неспазването на предупрежденията и указанията за безопасност може да предизвика поражение от електрически ток, пожар и/или сериозно нараняване.

Запазете всички предупреждения и указания за бъдещо ползване.

Терминът "електроинструмент" във всички описани по-долу предупреждения се отнася до вашия електроинструмент, захранван от мрежата (с шнур) и/или електроинструмент, захранван от акумулаторна батерия (без шнур).

1) БЕЗОПАСНОСТ НА РАБОТНОТО МЯСТО

- Поддържайте работното място чисто и добре осветено. Безпорядъкът и недостатъчното осветление са предпоставка за трудови злополуки.
- Не работете с електроинструменти в експлозивни атмосфери при наличие на запалими течности, газове или прах. Електроинструментите образуват искри, които могат да възпламенят праха или парите.
- Дръжте децата и страничните лица на разстояние, когато работите с електроинструмент. Разсейването може да доведе до загуба на контрол от Ваша страна.

2) ЕЛЕКТРИЧЕСКА БЕЗОПАСНОСТ

- Щепселите на електроинструментите трябва да съответстват на контактите. Никога не променяйте щепсела по какъвто и да било начин. Не използвайте каквито и да са адаптерни щепсели за електроинструменти със защитно заземяване. Употребата на непроменени щепсели и съответстващите им контакти намалява риска за поражение от електрически ток.
- Избягвайте допир на тялото до земя или до заземени повърхности, такива като тръби, радиатори, кухненски печки и хладилници. Ако тялото ви е заземено, съществува повишен риск от поражение от електрически ток.
- Не излагайте електроинструментите на дъжд или във влажна среда. Проникването на вода в електроинструмента повишава риска от поражение от електрически ток.
- Използвайте шнура по предназначение. Никога не използвайте шнура за носене на електроинструмента, опъване или изваждане на щепсела от контактното гнездо. Дръжте шнура далече от топлина, масло, остри ръбове или движещи се части. Увердени или оплетени шнурове повишават риска за поражение от

електрически ток.

- При работа с електроинструмента на открито, използвайте удължител, подходящ за работа на открито. Използването на удължител, подходящ за работа на открито, намалява риска от поражение от електрически ток.
- Ако работата с електроинструмента във влажна среда е неизбежна, използвайте предпазно устройство, задействано от остатъчен ток, за прекъсване на захранването. Използването на предпазно устройство намалява риска от поражение от електрически ток.

3) ЛИЧНА БЕЗОПАСНОСТ

- Бъдете бдителни, работете с повишено внимание и проявявайте благодарумие, когато работите с електроинструмент. Не използвайте електроинструмента, когато сте уморени или под влияние на наркотици, алкохол или медикаменти. Момент на невнимание при работа с електроинструмент може да предизвика сериозна трудова злополука.
- Използвайте лични предпазни средства. Носете винаги средства за защита на очите. Лични предпазни средства, като маска против прах, непълзгащи се безопасни обувки, защитен шлем или средства за защита на слуха, използвани при конкретните условия, намаляват риска от трудови злополуки.
- Избягвайте неволно пускане. Убедете се, че прекъсвачът е в изключено положение преди включване към източник на захранване и/или акумулаторна батерия, преди да го вземете или пренасате. Носенето на електроинструмент с пръст върху прекъсвача или свързаното към източник на захранване на електроинструмент с прекъсвач във включено положение е предпоставка за трудова злополука.
- Отстранете всеки ключ за затгване или гаечен ключ преди включване на електроинструмента. Ключ за затгване или гаечен ключ, прикрепен към въртяща се част на електроинструмента, може да предизвика трудова злополука.
- Не се пресягайте. Поддържайте правилнен строеж и равновесие през цялото време. Това позволява по-добро управление на електроинструмента при неочаквани ситуации.
- Носете подходящо работно облекло. Не носете широки дрехи или бижута. Дръжте косите си, дрехите и ръкавиците далеч от движещи се части. Широки дрехи, бижута или дълги коси могат да се захванат от движещи се части.
- Ако електроинструментът е снабден с приспособления за засмукване и улавяне на прах, убедете се, че те са свързани и правилно използвани. Използването на тези устройства може да намали свързаните с прах опасности.

4) ИЗПОЛЗВАНЕ И ГРИЖИ ЗА ЕЛЕКТРОИНСТРУМЕНТИТЕ

- Не претоварвайте електроинструмента. Използвайте правилно избрания електроинструмент според приложението. Правилно

избраният електроинструмент работи по-добре и по-безопасно при обявения режим на работа, за който е проектиран.

- b) Не използвайте електроинструмента, ако прекъсвачът не превключва във включено и изключено положение. Всеки електроинструмент, който не може да бъде управляван с прекъсвач, е опасен и трябва да бъде ремонтиран.
- c) Разединете щепсела от захранващата мрежа преди да извършите всякакви настройки, преди замяна на принадлежности или преди да приберете електроинструмента за съхранение. Тези предпазни мерки за безопасност намаляват риска от неволно пускане на електроинструмента.
- d) Съхранявайте неизползваните електроинструменти на места, недостъпни за деца и не позволявайте на обслужващи лица, които не познават електроинструмента или не са запознати с тези инструкции, да работят с него. Електроинструментите са опасни в ръцете на необучени потребители.
- e) Поддържайте електроинструментите. Проверявайте движещите се части дали функционират нормално и се движат свободно, целостта и изправността на частите, както и за всякакво друго обстоятелство, което може неблагоприятно да повлияе на работата на електроинструмента. Ако е повреден, електроинструментът трябва да бъде ремонтиран преди по-нататъшно използване. Много злополуки са причинени от лошо поддържани електроинструменти.
- f) Поддържайте режещите инструменти остри и чисти. Правилно поддържаните режещи инструменти с остри режещи ръбове е по-малко вероятно да блокират и са по-лесни за управление.
- g) Използвайте електроинструмента, принадлежностите и частите на инструмента и т.н. в съответствие с тези инструкции и по начин, предвиден за конкретния тип електроинструмент, като вземате предвид работните условия и работата, която трябва да се извършва. Използването на електроинструмента за работа, различна от тази, за която е проектиран, може да предизвика опасна ситуация.

5) ОБСЛУЖВАНЕ

- a) Поддържайте вашия електроинструмент при квалифициран специалист по ремонта, като използвате само оригиналните резервни части. Това осигурява запазването на безопасността на електроинструмента.

IV - Допълнителни указания при работа с ъглошлифовъчни машини

Общи указания за безопасност при шлифование с абразивен диск, почистване с телена четка и рязане с абразивен диск:

- a) Този електроинструмент може да се използва като шлифовъчна машина с абразивен диск, с телена четка и машина за рязане с абразивен диск. Прочетете всички указания за безопасност, инструкции, изображения и данни, които сте получили с машината. Неспазването на указанията за безопасност може да предизвика поражение от електрически ток, пожар и/или сериозно нараняване.
- b) Този електроинструмент не е подходящ за полиране. Операции, за които електроинструментът не е предназначен, могат да създадат опасност и да предизвикат нараняване.
- c) Не използвайте принадлежности, които не са разрешени и препоръчани от производителя специално за този електроинструмент. Фактът че можете да закрепите принадлежността на Вашия електроинструмент, не гарантира безопасна употреба.
- d) Номиналните обороти на принадлежността трябва да са най-малко равни на посочените върху електроинструмента максимални обороти. Принадлежности, които се въртят със скорост, по-висока от тяхната номинална скорост, могат да се счупят и парчетата им да се разлетят.
- e) Външният диаметър и дебелината на работния инструмент трябва да бъдат в границите на указаните размери на Вашия електроинструмент. Принадлежности с неподходящи размери не могат да бъдат защитени или управлявани добре.
- f) Шлифовъчни дискове, затягащи фланци, еластични дискове или други принадлежности трябва да пасват точно на вретеното на електроинструмента. Принадлежности, които не пасват точно на вретеното на електроинструмента, се въртят неравномерно, вибрират прекомерно и могат да предизвикат загуба на контрол.
- g) Не използвайте повредени принадлежности. Преди всяка употреба проверявайте принадлежностите - шлифовъчните дискове за нащърбване и пукнатини, еластичните дискове за пукнатини, разкъсване или силно износване, телените четки за разхлабени или начупени нишки. Ако изтървете електроинструмента или принадлежността, проверете за повреда или монтирайте неповредена принадлежност. След като принадлежността е проверена и монтирана, застанете заедно със страничните лица извън равнината на въртене на принадлежността и оставете електроинструмента да работи с максимални обороти

на празен ход в продължение на една минута. Обикновено това време е достатъчно за повредените принадлежности да се счупят.

- h) Носете лични предпазни средства. В зависимост от конкретния случай, използвайте предпазен щит за лицето или защитни очила. Ако е необходимо, използвайте прахозащитна маска, средства за защита за слуха, защитни ръкавици или специална престилка, която да задържа малките частици от шлифовъчната принадлежност или обработвания детайл. Средствата за защита на очите трябва да предпазват от възникналите при различните операции хвърчащи отломки. Прахозащитните и газозащитните маски трябва да филтрират отделяните при работа частици. Продължителното излагане на силен шум може да предизвика загуба на слуха.
- i) Дръжте страничните лица на безопасно разстояние от зоната на работа. Всяко лице, намиращо се в зоната на работа, трябва да носи лични предпазни средства. Възможно е хвърчащи отломки от обработвания детайл или от счупена принадлежност да предизвикат нараняване и извън границите на непосредствената зона на работа.
- j) Дръжте електроинструмента само за изолираните повърхности за захващане когато извършвате операция, при която рещещата принадлежност може да допре до скрита ел.инсталация или до собствения шнур. Допирът на рещещата принадлежност до проводник под напрежение ще постави откритите метални части на електроинструмента под напрежение и операторът ще получи токов удар.
- k) Дръжте хранящия кабел извън обсега на действие на въртящата се принадлежност. Ако изгубите контрол над електроинструмента, хранящият кабел може да бъде срянан или да увлече дланта или ръката Ви в обсега на въртящата се инструмент.
- l) Никога не оставяйте електроинструмента преди принадлежността да е напълно спряла да се върти. Въртящата се принадлежност може да захване обработвания материал и да загубите контрол над електроинструмента.
- m) Не оставяйте електроинструмента да работи, докато го носите. Случаен допир на въртящата се принадлежност до облеклото Ви може го захване и тя да нарани тялото Ви.
- n) Почиствайте редовно вентилационните отвори на електроинструмента. Вентилаторът на електродвигателя засмуква прах в корпуса, а прекомерното натрупване на метален прах може да предизвика опасност за поражение от електрически ток.
- o) Не използвайте електроинструмента в близост до горими материали. Искрите могат да възпламенят тези материали.
- p) Не използвайте принадлежности, работата с които изисква течни охлаждащи средства. Използването на вода или други течни охлаждащи средства може да доведе до поражение или

удар от електрически ток.

- Електроинструментът трябва да се използва само по предназначение. Всякаква друга употреба, различаваща се от описаната в тази инструкция, ще се счита за неправилна употреба. Отговорността за всякаква повреда или нараняване, произтичащи от неправилна употреба, ще се носи от потребителя, а не от производителя.
- Производителят не носи отговорност за извършени от потребителя промени върху електроинструмента или за повреди, предизвикани от подобни промени.
- При работа в запрашена среда вентилационните отвори на машината трябва да се поддържат чисти. Ако се наложи да бъдат почиствани от прах, първо изключете храняването и използвайте неметални предмети за почистването на праха, като внимавате да не повредите вътрешните детайли на машината. Електроинструментът ще прегрее при намалено охлаждане в следствие на запрашените вентилационни отвори.
- Електроинструментът е предназначен за работа в помещения и зони с нормална пожарна опасност съгласно "Наредба №2. Противопожарни строително-технически норми." Не се допускат използването във взривоопасна и пожароопасна среда, при температура на околния въздух над 40°C, в особено влажна среда, при наличие на валежи и в химически активна среда.

Други указания за безопасност за всички операции

Отскок (обратен удар) и свързаните с него указания за безопасност

Отскок е внезапната реакция вследствие на заклинване или блокиране на принадлежност, например шлифовъчен диск, еластичен диск, телена четка и т.н. Заклинването или блокирането води до внезапно спиране на въртенето на принадлежността, което от своя страна изтласква неконтролируемия електроинструмент в посока обратна на посоката на въртене на работния инструмент в точката на заклинване.

Например ако шлифовъчният диск се заклени или блокира в детайла, ръбът на шлифовъчния диск, който е връзан в детайла, засяда и вследствие на това дискът може да се счупи или да предизвика отскок. Шлифовъчният диск отскача към или от оператора, в зависимост от посоката на въртене на диска в мястото на блокиране. При тези обстоятелства е възможно шлифовъчните дискове да се счупят. Отскокът е резултат от неправилна употреба и/или неправилна експлоатация или условия на работа с електроинструмента и може да се предотврати чрез описаните по-долу подходящи предпазни мерки.

- a) Дръжте здраво електроинструмента, заемете подходяща стойка и поставете ръцете си така, че да можете да овладеете силата на отскока. Винаги използвайте допълнителната ръкохватка, ако електроинструментът е снабден с

такава, за да имате възможно най-голям контрол над силата на отскока или реактивния момент при пускане. Чрез подходящи предпазни мерки операторът може да овладее реактивния момент и отскока.

- b) Никога не поставяйте ръцете си в близост до въртящата се принадлежност. Принадлежността може да отскочи върху ръката Ви.
- c) Не заставяйте в областта, в която електроинструментът би се придвижил при отскок. Отскокът задвижва електроинструмента в посока, противоположна на движението на шлифовъчния диск, в мястото на блокиране.
- d) Когато обработвате ъгли, остри ръбове и др., работете с повишено внимание. Не позволявайте принадлежността да отскача или да блокира в детайла. При обработката на ъгли и остри ръбове има вероятност въртящата се принадлежност да се заклини, с което да предизвика загуба на контрол или отскок.
- e) Не използвайте верижни или циркулярни дискове за обработване на дървесина. Тези принадлежности често предизвикват отскок или загуба на контрол над електроинструмента.
 - Фиксирайте обработвания детайл в менгеме или по друг подходящ начин.

Специфични указания за безопасност при шлифоване и рязане с абразивен диск

- a) Използвайте само препоръчаните за електроинструмента видове дискове с предвидени за тях предпазител. Дискове, за които електроинструментът не е проектиран, не могат да бъдат подходящо защитени и не са безопасни.
- b) Предпазителят трябва да се закрепва надеждно към електроинструмента и да е разположен така, че да осигурява максимална безопасност, т.е. възможно най-малка част от диска да е открита към оператора. Предпазителят трябва да предпазва оператора от отломки и случаен контакт с диска и искри, които биха могли да подпалят обектото.
- c) Дисковете трябва да се използват само за препоръчаните приложения. Например никога не шлифовайте със страничната повърхност на отрезен диск. Отрезните дискове са предназначени за отнемане на материал с ръба на диска. Упражняването на страничен натиск върху такъв диск може да го строши.
- d) Винаги използвайте изправни затягащи фланци с подходящ размер и форма за избрания диск. Правилно избраният затягащ фланец закрепва диска и намалява опасността от счупването му. Затягащите фланци за отрезни дискове могат да се различават от затягащите фланци за друг вид дискове.
- e) Не използвайте износени дискове от по-големи електроинструменти. Дискът за по-голям електроинструмент не е подходящ за по-високите обороти на по-малък електроинструмент и може да се счупи.
 - Винаги съблюдавайте посоката на въртене на диска. Реактивната сила е обратна на посоката на въртене в мястото на шлифо-

ване или рязане и е предпоставка за загубване на контрол върху електроинструмента.

- Винаги дръжте машината, така че искрите и прахът от шлифоването да се разпръскват настрана от тялото. Електроинструментите образуват искри, които могат да обгорят обектото или незащитени части на тялото.
- Не се допуска шлифоване и рязане на пряно боядисани метални конструкции преди изсъхване на боята. Съществува опасност от запалване на неизсъхналата боя.
- Не се допуска рязане на горими материали (дърво, пластмаса и др.) и панелни конструкции тип "сандвич" с горим пълнеж. Съществува опасност от възникване на пожар.
- Не се допуска шлифоване и рязане на съоръжения, работещи под налягане. Съществува опасност от възникване на експлозия.
- Не се допуска шлифоване и рязане на резервоари, тръбопроводи, апарати и др., в които има или е имало горими или лесно запалими вещества и материали, без да се вземат специални пожаро- и взривобезопасни мерки. Съществува опасност от възникване на пожар или експлозия.

Специфични указания за безопасност при рязане с абразивен диск:

- a) Избягвайте заклинване на отрезния диск или прилагане на прекомерен натиск. Не се опитвайте да извършвате твърде дълбоки разрези. Претоварването на отрезния диск увеличава неговото износване и податливостта към усукване или блокиране, а оттам и възможността за отскок или счупване на диска.
- b) Не заставяйте в областта пред и зад въртящия се диск. Ако отрезният диск в мястото на рязане, се отдалечава от Вашето тяло, евентуален отскок би тласнал електроинструментът с въртящия се диск право към Вас.
- c) Ако отрезният диск се е заклинил или ако по някаква причина прекъснете работата, изключете електроинструмента и го дръжте неподвижен докато дискът окончателно спре да се върти. Никога не се опитвайте да извадите още въртящия се диск от разреза, в противен случай ще предизвикате отскок. Открийте и отстранете причината за заклинването.
- d) Никога не включвайте повторно електроинструмента, докато отрезният диск се намира още в детайла. Оставете отрезния диск да достигне пълните обороти преди да го вкарате внимателно в разреза. В противен случай дискът може да заседне, да се изплъзне от детайла или да отскочи.
- e) Осигурете с допълнителни опори плочите или детайлите с големи размери, за да намалите риска от заклинване и отскок. Детайлите с големи размери провисват от собственото си тегло. Детайлът трябва да се подпират от двете страни на диска, както в близост до разреза така и в краищата на детайла.
- f) Бъдете особено предпазливи при прорязване

на канали в съществуващи стени или други зазидани повърхнини. Издаващият се напред диск може да среже газопроводни или водопроводни тръби, електрическа инсталация или други обекти, което да предизвика отскок.

Специфични указания за безопасност при работа с телени четки:

- a) **Имайте предвид, че и при нормална работа от телената четка падат телени нишки. Не претоварвайте нишките като притискате четката твърде силно. Излитащите телени нишки лесно проникват през тънко облекло и/или през кожата.**
- b) **Ако при работа с телена четка се препоръчва използването на предпазител, не допускате предпазителят и дисковата или чашкообразна телена четка да се допират. Дисковите или чашкообразни телени четки могат да увеличат диаметъра си под въздействието на натиска при работа и центробежните сили.**

V - Запознаване с електроинструмента

Преди да започнете да работите с електроинструмента се запознайте с всички оперативни особености и условия за безопасност.

Използвайте електроинструмента и принадлежностите му само по предназначение. Всяко друго приложение е изрично забранено.

1. Вретено
- 2.1. Предпазител за шлифовъчен диск
- 2.2. Предпазител за отрезен диск*
3. Упорен фланец
- 4.1. Диск за шлифване (Да се използва само с предпазител за шлифовъчен диск!)*
- 4.2. Диск за рязане (Да се използва само с предпазител за отрезен диск!)*
5. Затягащ фланец
6. Допълнителна ръкохватка
7. Прекъсвач
8. Бутон за фиксиране на вретеното

ПРИНАДЛЕЖНОСТИ, КОИТО МОГАТ ДА БЪДАТ ИЗПОЛЗВАНИ С ТОЗИ ЕЛЕКТРОИНСТРУМЕНТ *

9. Метална четка
10. Абразивни дискове за рязане и шлифване
11. Ламелен шлифовъчен диск
12. Антивибрационна ръкохватка

* Основните принадлежности, които могат да се ползват с тази машина, предлагани от СПАРКИ, са показани на стр. 96-99 с техните каталожни номера. Те не са включени в комплекцията.

VI - Указания за работа

Тези електроинструменти се хранват само с еднофазно променливо напрежение. Те са с двойна изолация съгласно EN 60745 и IEC 60745-1 и може да се присъединяват към контакти без защитни клеми. Радиосмущенията съответстват на Директивата за електромагнитна съвместимост 2004/108/ЕС. Този електроинструмент е предназначен за рязане, шлифване и четкане предимно на метали, без използването на вода.

ПРЕДИ ДА ЗАПОЧНЕТЕ РАБОТА

- Машината може да е с фабрично монтиран предпазител. Уверете се, че предпазителят е монтиран правилно и надеждно фиксиран преди първата и всяка следваща употреба.
- Машината може да е с фабрично монтиран диск. Уверете се, че дискът е монтиран правилно и надеждно затегнат преди първата и всяка следваща употреба.
- Проверете дали напрежението на електрическата мрежа отговаря на това, означено върху табелката с технически данни на електроинструмента.
- Проверете в какво положение се намира прекъсвачът. Електроинструментът трябва да се присъединява и отделя от захранващата мрежа само при изключен прекъсвач. Ако поставите щепсела в контакт докато прекъсвачът е във включено положение, електроинструментът веднага ще се задейства, което е предпоставка за злополука.
- Убедете се в изправността на захранващия кабел и щепсел. Ако захранващият кабел е повреден, замената трябва да се извърши от производителя или от негов сервизен специалист, за да се избегнат опасностите от замената.



ПРЕДУПРЕЖДЕНИЕ: Винаги изключвайте електроинструмента и изваждайте щепсела от контакта преди извършване на всякаква настройка, обслужване или поддръжка или при отпадане на захранващото напрежение.

- Проверете дали диаметърът и дебелината на диска не са по-големи от указаните в техническите данни. Означената върху диска допустима периферна скорост да не е по-ниска от 80 m/s. Дисковете трябва да се съхраняват съгласно инструкциите на производителя им.
- Ако зоната на работа е отдалечена от източника на захранване, използвайте колкото е възможно по-къс удължител с подходящо сечение.
- Проверете дали допълнителната ръкохватка е правилно поставена и надеждно затегната.

ПРЕДПАЗИТЕЛ НА ДИСКА



ПРЕДУПРЕЖДЕНИЕ: Предпазителят (2.1) за шлифовъчен диск или предпазителят (2.2) за отрезен диск (съответно за шлифовъчен диск (4.1) или за отрезен диск (4.2)) трябва винаги да бъде монтиран на машината!

Неговото положение е различно в зависимост от това, от коя страна е поставена допълнителната ръкохватка и при монтиране на машината към стойка.

УКАЗАНИЯ ЗА МОНТАЖ НА ПРЕДПАЗИТЕЛ

Преди извършване на следните операции, машината трябва да бъде изключена от мрежовото захранване чрез щепсела.

1. Поставяне на предпазител

- Отворете стягащия лост (15) и евентуално разхлабете винта (16). (Фиг. 1)
- Поставете предпазителя 2 така, че шпонките (14) на предпазителя да съвпадат със шлиците (17) и го притиснете надолу, за да влезе в канала 18 около лагерното гнездо. (Фиг. 2a, b)
- Затегнете винт (16), за да оберете хлабината между гривната на предпазителя и лагерното гнездо така, че да има възможност за леко превъртане между тях.
- Завъртате предпазителя в желаното положение.
- Затворете стягащия лост (15), за да фиксирате предпазителя.
- При необходимост повторете операцията по обирание на хлабината между гривната на предпазителя и лагерното гнездо.

2. Завъртане на предпазителя в ново работно положение

- Отворете стягащия лост (15).
- Завъртете предпазителя в новото работно положение.
- Затворете стягащия лост (15).

ПОСТАВЯНЕ НА ДИСК

Вретеното (1) на шлифовъчната машина се фиксира чрез натискане на бутона (8), намиращ се върху редукторната кутия на машината.



ПРЕДУПРЕЖДЕНИЕ: Не се допуска натискане на бутона (8) докато вретеното се върти.

- Поставете упорния фланец (3) със шлиците надолу. (Фиг. 3)
- Поставете диска (4) точно върху упорния фланец с надписите надолу. (Фиг. 4)
- Поставете затягащия фланец (5) с плоската страна към диска (4) и го завийте на ръка. Поставете двуроговия ключ в отворите на затягащия фланец (5). (Фиг. 5)

- При натиснат бутон за фиксиране на вретеното (8) притегнете добре затягащия фланец (5) с двуроговия ключ. (Фиг. 6a,b)

След поставяне на диск пуснете машината да работи с новия диск около една минута без натоварване. Вибриращите или неравномерно въртящи се дискове трябва незабавно да се заменят.

Металната четка (9) се завива направо на вретеното (1) с помощта на гаечен ключ. (Проверете дали дължината на резбата на четката е достатъчно дълга, за да обхване резбата на вретеното).

ДОПЪЛНИТЕЛНА РЪКОХВАТКА

Нормално допълнителната ръкохватка (6) се завива от лявата страна на машината. Тя може да се завие и от дясната страна, ако това е по-удобно за оператора.

ПУСКАНЕ - СПИРАНЕ

Пускане: Плъзгачът на прекъсвача (7) се натиска в задната част и след това се измества напред по посока на стрелката, докато предната му част хлътне и се застопори.

Спиране: Задният надигнат край на прекъсвача (7) се натиска и се оставя самостоятелно да се върне назад в изходно положение.



ПРЕДУПРЕЖДЕНИЕ: При ниски температури или ако електроинструментът не е работил дълго време, включете и оставете електроинструмента да поработи на празен ход около минута, за да установи своя нормален режим на работа. Така се подобрява смазването и се удължава животът на електроинструмента.

ПРЕПОРЪКИ

При работа с отрезен диск не упражнявайте натиск, не движете диска напречно на разреза. Работете с умерено подаване, подходящо за обработвания материал.

Важна е посоката, в която се реже. Машината трябва да се подава в посока, обратна на въртенето на диска. В противен случай съществува опасност дискът неконтролирано да излезе извън разреза. (Фиг. 7)

При рязане на профили и тръби с правоъгълно сечение, препоръчва се да започнете рязането от най-малката страна.

При шлифване не притискайте машината върху обработваната повърхност, а движете диска плавно напред-назад. Леките метали се обработват със специални дискове. Най-добър резултат при грубо шлифване се получава при наклон от 30°–40° между диска и обработваната повърхност. При грубо шлифване не се допуска използването на дискове за рязане. Използването на дискове с дебелина над 6 mm не се препоръчва.

VII - Поддръжка



ПРЕДУПРЕЖДЕНИЕ: Винаги изключвайте електроинструмента и изваждайте щепсела от контакта преди всякаква проверка или поддръжка.

ПОДМЯНА НА ЧЕТКИТЕ

Електроинструментът е снабден със самоизключващи се четки. Когато четките се износят, двете четки трябва да се подменят едновременно с оригинални четки в сервиз на SPARKY за гаранционна и извънгаранционна поддръжка.

ОБЩА ПРОВЕРКА

Проверявайте редовно всички крепежни елементи и се уверете, че те са здраво притегнати. В случай, че някой от винтовете се е разхлабил, го затегнете незабавно, за да избегнете рискови ситуации.

Ако захранващият кабел е повреден, замяната трябва да се извърши от производителя или негов сервизен специалист, за да се избегнат опасностите от замяната.

ПОЧИСТВАНЕ

За безопасна работа поддържайте винаги чисти машината и вентилационните отвори.

Редовно проверявайте дали във вентилационната решетка близо до електродвигателя или около превключвателите не е проникнал прах или чужди тела. Използвайте мека четка за да отстраните събралия се прах. За да предпазите очите си, по време на почистването носете защитни очила.

Ако корпусът на машината се нуждае от почистване, избършете го с мека влажна кърпа. Може да се използва слаб препарат за миене.



ПРЕДУПРЕЖДЕНИЕ: Не се допуска употребата на спирт, бензин или други разтворители. Никога не използвайте разяждащи препарати за почистване на пластмасовите части.



ПРЕДУПРЕЖДЕНИЕ: Не се допуска влизането на вода в контакт с машината.

ВАЖНО! За да се осигури безопасната работа с електроинструмента и неговата надеждност, всички дейности по ремонта, поддръжката и регулирането (включително проверката и подмяната на четките) трябва да се извършват в оторизираните сервизи на SPARKY с използване само на оригинални резервни части.

VIII - Гаранция

Гаранционният срок на електроинструментите SPARKY се определя в гаранционна карта.

Неизправности, появили се в следствие на естествено износване, претоварване или неправилна експлоатация, се изключват от гаранционните задължения.

Неизправности, появили се в следствие на влагане на некачествени материали и/или производствени грешки, се отстраняват без допълнително заплащане чрез замяна или ремонт.

Рекламация на дефектирал електроинструмент SPARKY се признава, когато машината се върне на доставчика или се представи на оторизиран гаранционен сервиз в неразглобено (първоначално) състояние.

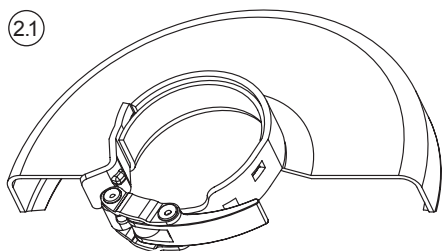
Забележки

Внимателно прочетете цялата инструкция за използване преди да използвате това изделие.

Производителят си запазва правото да въвежда подобрения и промени в своите изделия и да променя спецификациите без предупреждение.

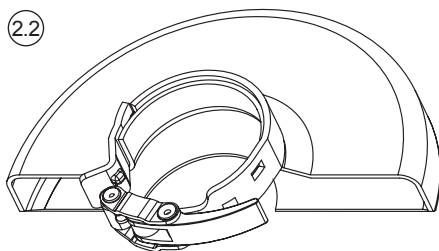
Спецификациите могат да се различават за отделните страни.

2.1



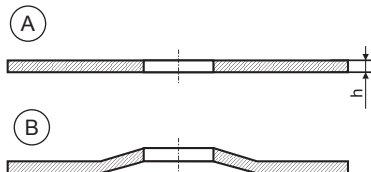
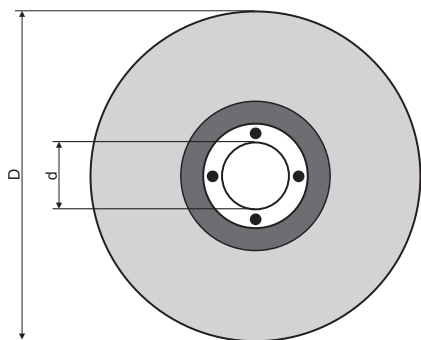
	Cat. N	D, mm
- FOR GRINDING WHEEL - FÜR TRENNSCHEIBE - DE MEULAGE - DA SBAVATURA - DEL DISCO ESMERILADOR - DO DISCO REBARBADOR - DO TARCZY SZLIFUJĄCEJ - ДЛЯ ШЛИФОВАЛЬНОГО ДИСКА - ДЛЯ ШЛІФОВАЛЬНОГО ДИСКУ - ЗА ШЛИФОВЧЕН ДИСК	20009685700	Ø 100
	20009685800	Ø 115
	20009685900	Ø 125

2.2



	Cat. N	D, mm
- FOR CUTTING WHEEL - FÜR SCHRUPPSCHEIBE - DE DÉCOUPAGE - DA TAGLIO - DEL DISCO CORTANTE - DO DISCO CORTANTE - DO TARCZY TNĄCEJ - ДЛЯ ОТРЕЗНОГО ДИСКА - ДЛЯ ВІДРІЗНОГО ДИСКУ - ЗА ОТРЕЗЕН ДИСК	20009684700	Ø 100
	20009684800	Ø 115
	20009684900	Ø 125

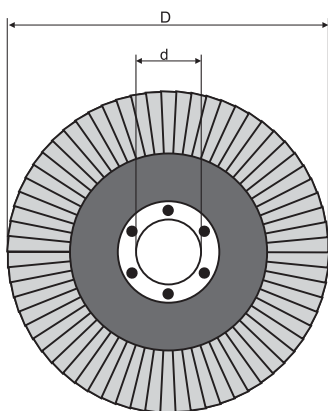
10



	Cat. N	D x h x d, mm
CUTTING DISCS METAL TRENNSCHEIBEN METALL, GERADE DISQUES A TRONÇONNER A MOYEU PLAT – METAL MOLE DA TAGLIO, DRITTE – METALLO MUELA DE TRONZAR RECTA – METAL PARA CORTE DE METAL TARZCZE DO CIĘCIA METALU, PROSTE ОТРЕЗНЫЕ ДИСКИ ПО МЕТАЛЛУ ВІДРІЗНІ ДИСКИ ПО МЕТАЛУ ЗА РЯЗАНЕ НА МЕТАЛ	(A) 20009904004	100 x 3 x 16
	20009560009	115 x 3 x 22.2
	20009560109	125 x 3 x 22.2

	Cat. N	D x h x d, mm
CUTTING DISCS METAL, DEPRESSED CENTRE TRENNSCHEIBEN METALL, GEKRÖPFT DISQUES A TRONÇONNER A MOYEU DEPORTE – METAL MOLE DA TAGLIO A CENTRO DEPRESSO – METALLO MUELA DE TRONZAR CON CENTRO REBAJADO – METAL PARA CORTE DE METAL COM CENTRO CONVEXO TAZRCZE DO CIĘCIA METALU, WYPUKŁE ОТРЕЗНЫЕ ДИСКИ ПО МЕТАЛЛУ, С ВЫПУКЛЫМ ЦЕНТРОМ ВІДРІЗНІ ДИСКИ ПО МЕТАЛУ З ВИПУКЛИМ ЦЕНТРОМ ЗА РЯЗАНЕ НА МЕТАЛ, С ИЗПЪКНАЛ ЦЕНТЪР	(B) 20009903404	100 x 3 x 16
	20009560509	115 x 3 x 22.2
	20009560609	125 x 3 x 22.2
CUTTING DISCS INOX METAL, THIN TRENNSCHEIBEN INOX METALL, GERADE / DÜNN DISQUES A TRONÇONNER INOX – METAL, FINS MOLE DA TAGLIO, DRITTE – INOX MUELA DE TRONZAR RECTA, INOX, EXTRA PLANO PARA CORTAR METAL FOLHAS FINAS TAZRCZE DO CIĘCIA METALI NIERDZEWNYCH, PROSTE / CIENKIE ОТРЕЗНЫЕ ДИСКИ ДЛЯ НЕРЖАВЕЮЩЕЙ СТАЛИ, ТОНКИЕ ВІДРІЗНІ ДИСКИ ДЛЯ НЕРЖАВІЮЧОЇ СТАЛИ, ТОНКІ ЗА РЯЗАНЕ НА МЕТАЛ, ТЪНКИ	(A) 20009903804	100 x 1.0 x 16
	20009560809	115 x 1.0 x 22.2
	20009560909	115 x 1.2 x 22.2
	20009561009	125 x 1 x 22.2
	20009561109	125 x 1.2 x 22.2
GRINDING DISCS METAL SCHRUPPSCHEIBEN METALL DISQUES A EBARBER A MOYEU DEPORTE – METAL MOLE DA SBAVATURA – METALLO MUELA DE DESBASTAR – METAL PARA REBARBAGEM DE METAL TAZRCZE DO SZLIFOWANIA METALU ШЛИФОВАЛЬНЫЕ ДИСКИ ПО МЕТАЛЛУ ШЛИФОВАЛЬНІ ДИСКИ ПО МЕТАЛУ ЗА ШЛАЙФАНЕ НА МЕТАЛ	(A) 20009904404	100 x 6 x 16
	20009565004	115 x 6 x 22.2
	20009565104	125 x 6 x 22.2
CUTTING DISCS STONE TRENNSCHEIBEN STEIN, GERADE DISQUES A TRONÇONNER A CENTRE PLAT – PIERRE MOLE DA TAGLIO, DRITTE – PIETRA MUELA DE TRONZAR RECTA – PIETRA PARA CORTAR PEDRA TAZRCZE DO CIĘCIA KAMIENIA, PROSTE ОТРЕЗНЫЕ ДИСКИ ПО КАМНЮ ВІДРІЗНІ ДИСКИ ПО КАМЕНЮ ЗА РЯЗАНЕ НА КАМЪК	(A) 20009904204	100 x 3 x 16
	20009562509	115 x 3 x 22.2
	20009562609	125 x 3 x 22.2
CUTTING DISCS STONE, DEPRESSED CENTRE TRENNSCHEIBEN STEIN, GEKRÖPFT DISQUES A TRONÇONNER A CENTRE DEPORTE – PIERRE MOLE DA TAGLIO A CENTRO DEPRESSO – PIETRA MUELA DE TRONZAR CON CENTRO REBAJADO – PIEDRA PARA CORTAR PEDRA COM CENTRO CONVEXO TAZRCZE DO CIĘCIA KAMIENIA, WYPUKŁE ОТРЕЗНЫЕ ДИСКИ ПО КАМНЮ, С ВЫПУКЛЫМ ЦЕНТРОМ ВІДРІЗНІ ДИСКИ ПО КАМЕНЮ З ВИПУКЛИМ ЦЕНТРОМ ЗА РЯЗАНЕ НА КАМЪК, С ИЗПЪКНАЛ ЦЕНТЪР	(B) 20009903604	100 x 3 x 16
	20009562909	115 x 3 x 22.2
	20009563009	125 x 3 x 22.2
GRINDING DISCS STONE SCHRUPPSCHEIBEN STEIN DISQUES A EBARBER A MOYEU DEPORTE – PIERRE MOLE DA SBAVATURA – PIETRA MUELA DE DESBASTAR – PIETRA PARA REBARBAR PEDRA TAZRCZE DO SZLIFOWANIA KAMIENIA ШЛИФОВАЛЬНЫЕ ДИСКИ ПО КАМНЮ ШЛИФОВАЛЬНІ ДИСКИ ПО КАМЕНЮ ЗА ШЛАЙФАНЕ НА КАМЪК	(A) 20009904604	100 x 6 x 16
	20009567704	125 x 6 x 22.2

11



A



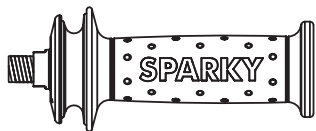
B

		Cat. N	D x d, mm	P
ALUMINIUM OXIDE - Straight ALUMINIUMOXID - Gerade OXYDE D'ALUMINIUM - Plane OSSIDO DI ALLUMINIO - Diritta OXIDO DE ALUMINIO - Recto ÓXIDO DE ALUMÍNIO – Com lamellas rectas TLENEK ALUMINIUM - Prosta АЛЮМИНИЙ С СИНТЕТИЧЕСКИМ СВЯЗУЮЩИМ - Кольцевой АЛЮМІНІЙ З СИНТЕТИЧНИМ ЗВ'ЯЗУЮЧИМ - Кільцевий АЛУМИНИЕВ ОКСИД - С прави ламели	A	20009578300	100 x 16	40
		20009578500	100 x 16	60
		20009578700	100 x 16	80
		20009578900	100 x 16	120
		20009571900	115 x 22.23	40
		20009572000	115 x 22.23	60
		20009572100	115 x 22.23	80
		20009572200	115 x 22.23	120
		20009572300	125 x 22.23	40
		20009572400	125 x 22.23	60
		20009572500	125 x 22.23	80
		20009572600	125 x 22.23	120
ALUMINIUM OXIDE - Inclined ALUMINIUMOXID - Gewinkelt OXYDE D'ALUMINIUM - Angulaire OSSIDO DI ALLUMINIO - bombata OXIDO DE ALUMINIO - Cynico ÓXIDO DE ALUMÍNIO – Com lamellas inclinadas TLENEK ALUMINIUM - Profilowana АЛЮМИНИЙ С СИНТЕТИЧЕСКИМ СВЯЗУЮЩИМ - Чашечный АЛЮМІНІЙ З СИНТЕТИЧНИМ ЗВ'ЯЗУЮЧИМ - Чашковий АЛУМИНИЕВ ОКСИД - С наклонени ламели	B	20009578400	100 x 16	40
		20009578600	100 x 16	60
		20009578800	100 x 16	80
		20009579000	100 x 16	120
		20009573500	115 x 22.23	40
		20009573600	115 x 22.23	60
		20009573700	115 x 22.23	80
		20009573800	115 x 22.23	120
		20009573800	125 x 22.23	40
		20009574000	125 x 22.23	60
		20009574100	125 x 22.23	80
		20009574200	125 x 22.23	120
ZIRCONIUM OXIDE - Straight ZIRKONKORUND - Gerade OXYDE DE ZIRCONIUM - Plane CORINDONE ZIRCONIO - Diritta CORINDYN DE CIRCONIO - Recto ÓXIDO DE CIRCÓNIO – Com lamellas rectas TLENEK ZYRKONU - Prosta ЦИРКОН С СИНТЕТИЧЕСКИМ СВЯЗУЮЩИМ - Кольцевой ЦИРКОН З СИНТЕТИЧНИМ ЗВ'ЯЗУЮЧИМ - Кільцевий ЦИРКОНІЕВ ОКСИД - С прави ламели	A	20009579100	100 x 16	40
		20009579300	100 x 16	60
		20009579500	100 x 16	80
		20009579700	100 x 16	120
		20009575100	115 x 22.23	40
		20009575200	115 x 22.23	60
		20009575300	115 x 22.23	80
		20009575400	115 x 22.23	120
		20009575500	125 x 22.23	40
		20009575600	125 x 22.23	60
		20009575700	125 x 22.23	80
		20009575800	125 x 22.23	120

	Cat. N	D x d, mm	P
ZIRCONIUM OXIDE - Inclined	20009579200	100 x 16	40
ZIRKONKORUND - Gewinkelt	20009579400	100 x 16	60
OXYDE DE ZIRCONIUM - Angulaire	20009579600	100 x 16	80
CORINDONE ZIRCONIO - Bombata	20009579800	100 x 16	120
CORINDYN DE CIRCONIO - Cynico	20009576700	115 x 22.23	40
ÓXIDO DE CIRCÓNIO – Com lamellas inclinadas	20009576800	115 x 22.23	60
ЦИРКОН С СИНТЕТИЧЕСКИМ СВЯЗУЮЩИМ - Чашечный	20009576900	115 x 22.23	80
TLENEK CYRKONU - Profilowana	20009577000	115 x 22.23	120
ЦИРКОН З СИНТЕТИЧНИМ СВ'ЯЗУЮЧИМ - Чашковий	20009577100	125 x 22.23	40
ЦИРКОНИЕВ ОКСИД - С наклонени ламели	20009577200	125 x 22.23	60
	20009577300	125 x 22.23	80
	20009577400	125 x 22.23	120

(B)

(12)



	Cat. N
ANTI-VIBRATION HANDLE – M8 / L10 mm	20009682300
ANTIVIBRATIONSHANDGRIFF – M8 / L10 mm	
POIGNÉE ANTI-VIBRATIONS – M8 / L10 mm	
IMPUGNATURA ANTI-VIBRAZIONE – M8 / L10 mm	
EMPUÑADURA ANTIVIBRACIÓN – M8 / L10 mm	
MANÍPULA ANTI-VIBRAÇÃO – M8 / L10 mm	
UCHWYT ANTYWIBRACYJNY – M8 / L10 mm	
АНТИВІБРАЦІОННА РУКОЯТКА – M8 / L10 mm	
АНТИВІБРАЦІЙНА РУКОЯТКА – M8 / L10 mm	
АНТИВІБРАЦІОННА РЪКОХВАТКА – M8 / L10 mm	

